

UPS USER MANUAL

MANUEL DE L'UTILISATEUR DE L'ASI

UTILIZZO DELL'UPS

Index / Indice

ENGLISH LANGUAGE.....	10
1 SCOPE.....	12
2 SAFETY RULES AND WARNINGS	13
3 GENERAL UPS DESCRIPTION.....	14
3.1 TYPOLOGY.....	14
3.2 SYSTEM DESCRIPTION.....	14
3.2.1 Rectifier.....	14
3.2.2 Inverter.....	15
3.2.3 Battery and battery charger.....	15
3.2.4 Static bypass	15
3.2.5 Manual bypass	15
3.3 OPERATING STATUS	16
3.3.1 Normal operation.....	16
3.3.2 Green Conversion	16
3.3.3 Bypass operation	17
3.3.4 Battery operation.....	17
3.3.5 Manual bypass	18
3.4 CONTROL AND OPERATION DEVICES.....	20
3.4.1 Isolators.....	20

Rev.	Descrizione Description	Data Date	Emesso Issued	Approvato Approved	Lingua Language	Pagina Page	di Pag. of Pag.
D	VR61-18	06.04.18	R.Soldani	G.Senesi	E/F/I	1	157
					Codice / Code		
					OMP06145		

3.4.2	Emergency power off command (EPO)	21
3.4.3	Normal/Bypass selector	21
3.4.4	LCD control panel	21
4	CONTROL PANEL.....	22
4.1	ICONS.....	22
4.1.1	Icons colours	23
5	TOUCH SCREEN – MANAGING THE UPS.....	24
5.1	DISPLAYING THE MEASURES	24
5.2	BASIC DIAGNOSTICS.....	26
5.2.1	Displaying the operating status.....	26
5.2.2	Icons colours	27
5.2.3	Displaying the alarms history	27
5.2.4	Alarms and operating status.....	29
5.3	SETTINGS AND ADVANCED OPERATIONS	31
5.3.1	Resetting the device	32
5.3.2	Setting date and time.....	33
5.3.3	Setting the display language	34
5.3.4	Resetting the history log	35
5.3.5	Setting the RS485 user interface parameters	35
5.3.6	New battery	35
5.3.7	Setting the battery	35
5.3.8	Battery test.....	36
5.3.9	Setting the display network parameters	36
5.3.9.1	Setting the LAN parameters	37
5.3.9.2	Setting the NTP parameters	38
5.3.9.3	Modifying the parameters.....	38
5.3.10	Modifying the operating mode – ECO MODE.....	39
5.4	SYSTEM INFORMATION.....	40
5.4.1	Device information.....	40
5.4.2	Parallel information	41
5.4.2.1	Parallel index.....	41
5.4.2.2	Master / Slave priority.....	41
5.4.2.3	System status (communication bus monitoring)	42
5.4.2.4	Parallel type.....	42
5.4.2.5	Message statistics	42

5.4.3	Firmware release.....	43
5.4.4	Service information.....	43
5.4.5	RS485 communication information.....	43
6	FAULTS AND ALARMS.....	44
6.1	OPERATING STATUS DEFINITION	45
6.2	TROUBLESHOOTING.....	47
	LANGUE FRANÇAIS	60
1	PORTÉE.....	61
2	RÈGLES DE SÉCURITÉ ET AVERTISSEMENTS	62
3	DESCRIPTION GÉNÉRALE DE L'ALIMENTATION SANS COUPURE (UPS).....	63
3.1	TYPOLOGIE.....	63
3.2	DESCRIPTION DU SYSTÈME	63
3.2.1	Redresseur	63
3.2.2	Onduleur	64
3.2.3	Batterie et chargeur de batterie.....	64
3.2.4	Commutateur de dérivation statique	64
3.2.5	Commutateur de dérivation manuelle.....	64
3.3	ÉTAT D'EXPLOITATION.....	65
3.3.1	Fonctionnement normal.....	65
3.3.2	Conversion écologique.....	65
3.3.3	Fonctionnement en dérivation	66
3.3.4	Fonctionnement en batterie	66
3.3.5	Commutateur de dérivation manuelle.....	67
3.4	DISPOSITIFS DE FONCTIONNEMENT ET DE CONTRÔLE	69
3.4.1	Isolateurs	69
3.4.2	Bouton de mise hors tension d'urgence (EPO).....	70
3.4.3	Sélecteur normal/de dérivation	70
3.4.4	Panneau d'affichage à cristaux liquide (ACL)	70
4	PANNEAU DE COMMANDE	71
4.1	ICÔNES.....	71
4.1.1	Couleurs des icônes	72
5	ÉCRAN TACTILE – GESTION DE L'UPS	73
5.1	AFFICHAGE DES MESURES	73

5.2	DIAGNOSTICS DE BASE	75
5.2.1	Affichage de l'état de fonctionnement	75
5.2.2	Couleurs des icônes.....	76
5.2.3	Affichage de l'historique des alarmes.....	76
5.2.4	Alarmes et état de fonctionnement	78
5.3	CONFIGURATIONS ET OPÉRATIONS AVANCÉES	80
5.3.1	Reconfiguration du dispositif	81
5.3.2	Configuration de la date et de l'heure	82
5.3.3	Configuration de la langue d'affichage	83
5.3.4	Reconfiguration du journal des historiques	84
5.3.5	Configuration des paramètres de l'interface utilisateur RS485.....	84
5.3.6	Nouvelle batterie.....	84
5.3.7	Configuration de la batterie	84
5.3.8	Test de la batterie	85
5.3.9	Configuration des paramètres réseau d'affichage	85
5.3.9.1	Configuration des paramètres LAN	86
5.3.9.2	Configuration des paramètres NTP	87
5.3.9.3	Modification des paramètres.....	87
5.3.10	Modification du mode de fonctionnement – MODE ÉCO	88
5.4	INFORMATIONS SUR LE SYSTÈME	89
5.4.1	Informations sur le dispositif.....	89
5.4.2	Informations parallèles.....	90
5.4.2.1	Indice parallèle	90
5.4.2.2	Priorité Maître/Esclave.....	91
5.4.2.3	État du système (surveillance du bus de communication).....	91
5.4.2.4	Type parallèle.....	91
5.4.2.5	Statistiques de messages	91
5.4.3	Version du firmware	92
5.4.4	Informations sur le service	92
5.4.5	Informations de communication RS485.....	92
6	PANNES ET ALARMES	93
6.1	DÉFINITION DE L'ÉTAT DE FONCTIONNEMENT.....	94
6.2	RECHERCHE DE PANNE	96
	LINGUA ITALIANA	109
1	APPLICABILITÀ	110

2	REGOLE E AVVERTENZE DI SICUREZZA.....	111
3	DESCRIZIONE GENERALE DELL'UPS	112
3.1	TIPOLOGIA.....	112
3.2	DESCRIZIONE DEL SISTEMA.....	112
3.2.1	Raddrizzatore	112
3.2.2	Inverter	113
3.2.3	Batteria e carica batteria.....	113
3.2.4	Bypass statico.....	113
3.2.5	Bypass manuale.....	113
3.3	STATI DI FUNZIONAMENTO.....	114
3.3.1	Funzionamento normale	114
3.3.2	Green Conversion	114
3.3.3	Funzionamento da bypass	115
3.3.4	Funzionamento da batteria.....	115
3.3.5	Bypass manuale.....	116
3.4	COMANDI E ORGANI DI MANOVRA	118
3.4.1	Sezionatori.....	118
3.4.2	Comando di arresto di emergenza (EPO).....	119
3.4.3	Selettore Normale/Bypass	119
3.4.4	Pannello di comando LCD.....	119
4	PANNELLO DI CONTROLLO	120
4.1	ICONE	120
4.1.1	Colori delle icone	121
5	<i>TOUCH SCREEN</i> – GESTIONE DELL'UPS.....	122
5.1	VISUALIZZAZIONE DELLE MISURE.....	122
5.2	DIAGNOSTICA DI BASE	124
5.2.1	Visualizzazione dello stato di funzionamento	124
5.2.2	Colore delle icone	125
5.2.3	Visualizzazione dello storico allarmi.....	125
5.2.4	Lista degli allarmi e degli stati.....	127
5.3	IMPOSTAZIONI E OPERAZIONI AVANZATE.....	129
5.3.1	Reset dispositivo.....	130
5.3.2	Impostazione di data e ora	131
5.3.3	Impostazione lingua del display.....	132
5.3.4	Reset storico allarmi	133

5.3.5	Impostazione parametri di interfaccia utente RS485.....	133
5.3.6	Nuova batteria.....	133
5.3.7	Impostazioni batteria.....	133
5.3.8	Test batteria.....	134
5.3.9	Impostazione parametri di rete del <i>touch screen</i>	134
5.3.9.1	Impostazione parametri LAN.....	135
5.3.9.2	Impostazione parametri NTP.....	136
5.3.9.3	Modifica dei parametri.....	136
5.3.10	Modifica modalità operativa – ECO MODE.....	137
5.4	INFORMAZIONI SUL SISTEMA.....	138
5.4.1	Informazioni dispositivo.....	138
5.4.2	Informazioni parallelo.....	139
5.4.2.1	Indice di parallelo.....	139
5.4.2.2	Priorità Master / Slave.....	140
5.4.2.3	Stato sistema (controllo bus di comunicazione).....	140
5.4.2.4	Tipo di parallelo.....	140
5.4.2.5	Statistiche messaggi.....	140
5.4.3	Versioni firmware.....	141
5.4.4	Informazioni relative all'assistenza.....	141
5.4.5	Informazioni sulla comunicazione RS485.....	141
6	GUASTI E ALLARMI	142
6.1	DEFINIZIONE DEGLI STATI DI FUNZIONAMENTO.....	143
6.2	CONTROLLO DEI GUASTI.....	145

Index of pictures / Indice delle figure

<i>Picture 1 – Block diagram</i>	14
<i>Picture 2 – Normal operation</i>	16
<i>Picture 3 – Green Conversion</i>	16
<i>Picture 4 – Load supplied by bypass</i>	17
<i>Picture 5 – Battery operation</i>	18
<i>Picture 6 – Manual bypass for functional checks</i>	18
<i>Picture 7 – Manual bypass for repair or maintenance works</i>	19
<i>Picture 8 – UPS front panel, Home page</i>	22
<i>Picture 9 – MEASURES section</i>	24
<i>Picture 10 – Input measures page</i>	24
<i>Picture 11 – ALARMS section</i>	26
<i>Picture 12 – ALARMS section</i>	26
<i>Picture 13 – History log, page 1</i>	27
<i>Picture 14 – History log, page 2</i>	28
<i>Picture 15 – Saving the history log</i>	28
<i>Picture 16 – Access password to the Settings section</i>	31
<i>Picture 17 – SETTINGS section, page 1</i>	31
<i>Picture 18 – SETTINGS section, page 2</i>	32
<i>Picture 19 – Clock manual setting</i>	33
<i>Picture 20 – Clock automatic setting</i>	34
<i>Picture 21 – Language setting</i>	34
<i>Picture 22 – Battery parameters setting</i>	35
<i>Picture 23 – Battery parameters setting</i>	36
<i>Picture 24 – Touch screen network parameters setting</i>	37
<i>Picture 25 – LAN parameters setting</i>	37
<i>Picture 26 – NTP parameters setting</i>	38
<i>Picture 27 – Modification of numerical parameters</i>	39
<i>Picture 28 – Modification of NTP address parameters</i>	39
<i>Picture 29 – INFO section</i>	40
<i>Picture 30 – Device information</i>	40
<i>Picture 31 – Parallel information</i>	41
<i>Picture 32 – Parallel bus communication status</i>	42
<i>Picture 33 – Firmware release</i>	43
<i>Image 1 – Schéma fonctionnel</i>	63
<i>Image 2 – Fonctionnement normal</i>	65

<i>Image 3 – Conversion écologique</i>	65
<i>Image 4 – Charge fournie par la dérivation</i>	66
<i>Image 5 – Fonctionnement de la batterie</i>	67
<i>Image 6 – Dérivation manuelle pour les vérifications fonctionnelles</i>	67
<i>Image 7 – Dérivation manuelle pour travaux de réparation ou d'entretien</i>	68
<i>Image 8 – Panneau de commande UPS, page d'Accueil</i>	71
<i>Image 9 – Section MESURES</i>	73
<i>Image 10 – Page des mesures d'entrée</i>	73
<i>Image 11 – Section ALARMES</i>	75
<i>Image 12 – Section ALARMES</i>	75
<i>Image 13 – Journal des historiques, page 1</i>	77
<i>Image 14 – Journal des historiques, page 2</i>	77
<i>Image 15 – Enregistrer le journal des historiques</i>	77
<i>Image 16 – Mot de passe d'accès à la section Paramètres</i>	80
<i>Image 17 – Section PARAMÈTRES, page 1</i>	80
<i>Image 18 – Section PARAMÈTRES, page 2</i>	81
<i>Image 19 – Configuration manuelle de l'horloge</i>	82
<i>Image 20 – Configuration automatique de l'horloge</i>	83
<i>Image 21 – Configuration de la langue</i>	83
<i>Image 22 – Configuration des paramètres de la batterie</i>	85
<i>Image 23 – Configuration des paramètres de la batterie</i>	85
<i>Image 24 – Configuration des paramètres réseau de l'écran tactile</i>	86
<i>Image 25 – Configuration des paramètres LAN</i>	87
<i>Image 26 – Configuration des paramètres NTP</i>	87
<i>Image 27 – Modification des paramètres numériques</i>	88
<i>Image 28 – Modification des paramètres de l'adresse NTP</i>	88
<i>Image 29 – Section INFO</i>	89
<i>Image 30 – Informations sur le dispositif</i>	89
<i>Image 31 – Informations parallèles</i>	90
<i>Image 32 – État de communication de bus parallèle</i>	91
<i>Image 33 – Version du firmware</i>	92
<i>Figura 1 – Schema a blocchi</i>	112
<i>Figura 2 – Funzionamento normale</i>	114
<i>Figura 3 – Green Conversion</i>	114
<i>Figura 4 – Carico alimentato da bypass</i>	115
<i>Figura 5 – Funzionamento da batteria</i>	116
<i>Figura 6 – Bypass manuale per prove funzionali</i>	116
<i>Figura 7 – By-pass manuale per manutenzione o riparazione</i>	117

<i>Figura 8 – Pannello frontale UPS, schermata Home</i>	120
<i>Figura 9 – Sezione MISURE</i>	122
<i>Figura 10 – Misure Ingresso</i>	122
<i>Figura 11 – Sezione ALLARMI</i>	124
<i>Figura 12 – Sezione ALLARMI</i>	124
<i>Figura 13 – Storico allarmi, pagina 1</i>	126
<i>Figura 14 – Storico allarmi, pagina 2</i>	126
<i>Figura 15 – Storico allarmi, salvataggio file</i>	126
<i>Figura 16 – Password di accesso alle impostazioni</i>	129
<i>Figura 17 – Sezione SPECIALE, pagina 1</i>	129
<i>Figura 18 – Sezione SPECIALE, pagina 2</i>	130
<i>Figura 19 – Impostazione manuale orologio</i>	131
<i>Figura 20 – Impostazione automatica orologio</i>	132
<i>Figura 21 – Impostazione lingua</i>	132
<i>Figura 22 – Impostazione parametri batteria</i>	133
<i>Figura 23 – Impostazione capacità batteria centralizzata</i>	134
<i>Figura 24 – Impostazione parametri di rete del touch screen</i>	135
<i>Figura 25 – Impostazione parametri LAN</i>	135
<i>Figura 26 – Impostazione parametri NTP</i>	136
<i>Figura 27 – Modifica parametri numerici</i>	137
<i>Figura 28 – Modifica parametri indirizzi NTP</i>	137
<i>Figura 29 – Menu INFO</i>	138
<i>Figura 30 – Informazioni dispositivo</i>	138
<i>Figura 31 – Informazioni parallelo</i>	139
<i>Figura 32 – Stato comunicazione bus di parallelo</i>	140
<i>Figura 33 – Versioni firmware</i>	141

ENGLISH LANGUAGE

1 SCOPE

The instructions contained in the operating manual are applicable to the UPS systems listed below.

- *BSP06* KEOR HPE 200 kVA
- *BSO02* KEOR HPE 250 kVA
- *BSS98* KEOR HPE 300 kVA



Storing documentation

This manual and any other supporting technical documentation relating to the product must be stored and made accessible to personnel in the immediate vicinity of the UPS.



Further information

In the event that the information provided in this manual is not sufficiently exhaustive, please contact the manufacturer of the device, whose details are available in the "Contacts" section.

2 SAFETY RULES AND WARNINGS



Injury hazard due to electric shock!

Always respect all the safety instructions and, in particular:

- any work on the unit must be carried out by qualified personnel;
- internal components can only be accessed after disconnecting the device from supply sources;
- always use protective devices designed for each type of activity;
- the instructions contained in the manuals must be strictly followed.



Injury hazard due to device failure

Potentially hazardous situations may arise in case of UPS failure.

- Do not use the device if visibly damaged.
- Maintain the device regularly to identify possible failure.



Possible device damage

Whenever work is carried out on the device, make sure all actions are taken in order to avoid electrostatic discharges which might damage the electronic components of the system.



Read the technical documentation

Before installing and using the device, make sure you have read and understood all the instructions contained in the present manual and in the technical supporting documentation.

3 GENERAL UPS DESCRIPTION

3.1 TYPOLOGY

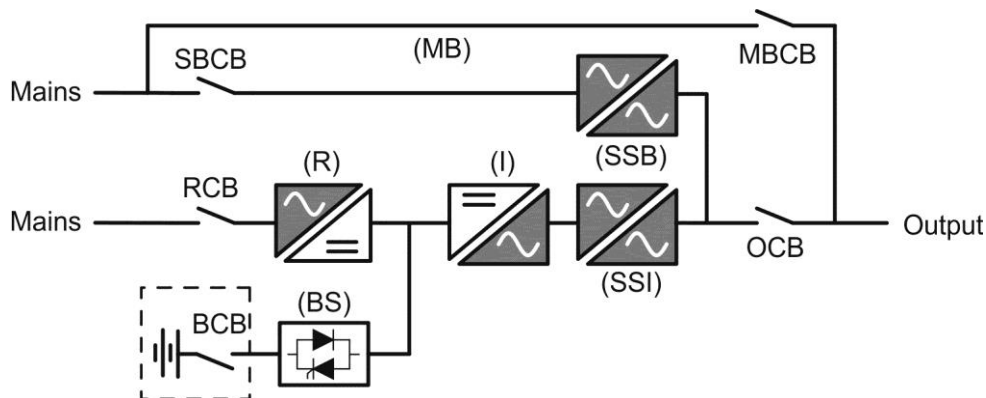
The UPS described in this manual is on-line, double conversion; the inverter included in the UPS always supplies energy to the load, whether mains is available or not (according to the battery autonomy time).

This configuration guarantees the best service to the User, as it supplies clean power uninterruptedly, ensuring voltage and frequency stabilization at nominal value. Thanks to the double conversion, it makes the load completely immune from micro-interruptions and from excessive mains variations, and prevents damage to critical loads (Computer - Instrumentation - Scientific equipment etc.).



Output voltage present

The line connected to the UPS output is energized even during mains failure, therefore in compliance with the prescriptions of IEC EN62040-1-2, the installer will have to identify the line or the plugs supplied by the UPS making the User aware of this fact.



Picture 1 – Block diagram

The UPS uses IGBT technology with a high switching frequency in order to allow a low distortion of the current re-injected into the supply line, as well as high quality and stability of output voltage. The components used assure high reliability, very high efficiency and maintenance easiness.

3.2 SYSTEM DESCRIPTION

3.2.1 Rectifier

It converts the three-phase voltage of the AC mains into continuous DC voltage.

It uses a three-phase fully-controlled IGBT bridge with a low harmonic absorption.

The control electronics uses a 32 bit μ P of latest generation that allows to reduce the distortion of the current absorbed by mains (THDi) to less than 3%. This ensures that the rectifier does not distort the supply mains, with regard to the other loads. It also avoids cable overheating due to the harmonics circulation.

The rectifier is so sized as to supply the inverter at full load and the battery at the maximum charging current.

3.2.2 Inverter

It converts the direct voltage coming from the rectifier or from the DC battery into alternating AC voltage stabilized in amplitude and frequency.

The inverter uses a 3-level power conversion bridge with IGBT technology in order to work with a high switching frequency of approximately 8 kHz.

The control electronics uses a 32 Bit μ P of latest generation that, thanks to its processing capability, generates an excellent output sine-wave.

Moreover, the fully digital control of the output sine-wave allows to achieve high performances, among which a very low voltage distortion even in presence of high-distorting loads.

3.2.3 Battery and battery charger

The battery is installed outside the UPS. It is generally housed in an external battery cabinet. The battery charger logic is completely integrated in the rectifier's control electronics.

The battery is charged, according to the DIN 41773 Standard, every time it has been partially or completely discharged. When its full capacity is restored, it is disconnected from the DC bus by means of a static switch, in order to save energy, reduce the stress due to the AC ripple thus increasing the lifetime. This operating mode is called *Green Conversion*.

It is however periodically charged but the prevailing state is of complete rest.

3.2.4 Static bypass

The Static Bypass allows to transfer the load between Inverter and Emergency Mains, and vice-versa, in a very short time, and uses SCR's as power commutation elements.

3.2.5 Manual bypass

The Manual Bypass is used to cut off the UPS completely, supplying the load directly from the input mains in case of maintenance or serious failure.



Follow the procedures contained in the manual

The sequence of manual bypass switching and return must be carried out with respect to the procedure indicated in the installation and start-up section. The manufacturer cannot accept responsibility for damages arising from incorrect operation.



External manual bypass

In the UPS system the manual bypass isolator is optional and installed outside the unit.

3.3 OPERATING STATUS

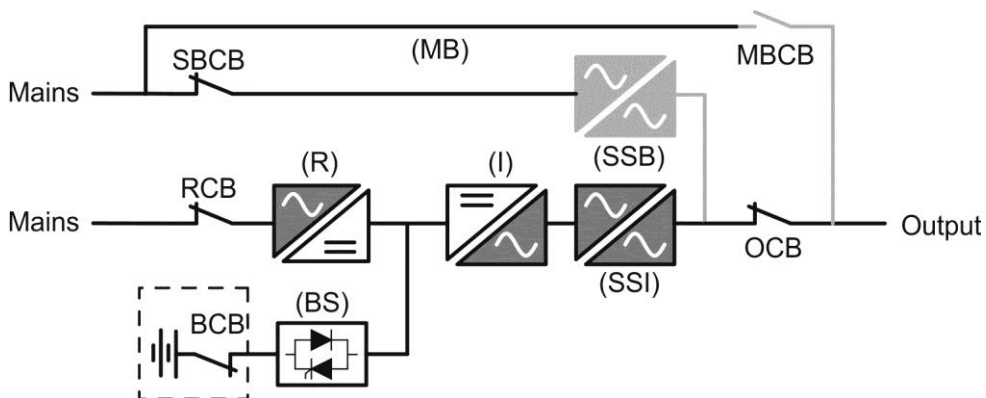
The UPS has five different operating modes, as described below:

- Normal operation
- Green Conversion
- Bypass operation
- Battery operation
- Manual bypass

3.3.1 Normal operation

During normal operation all the circuit breakers/isolators are closed, except for MCB (maintenance bypass).

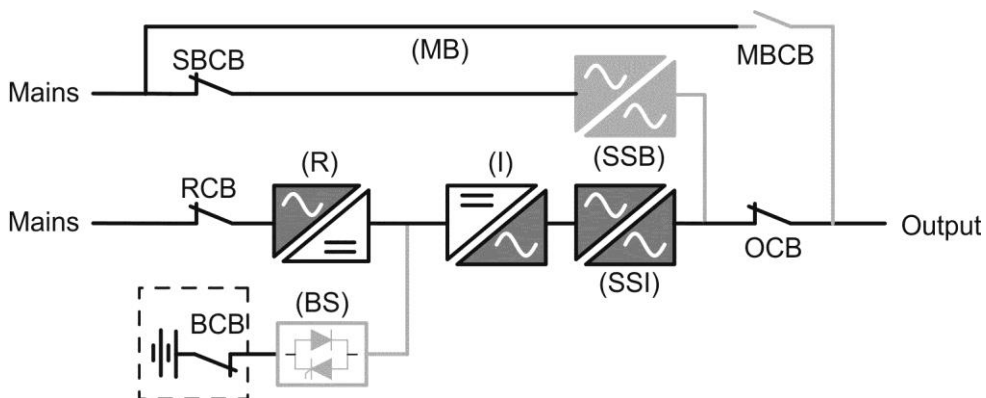
The rectifier is supplied by the AC three-phase input voltage which, on its turn, feeds the inverter and compensates mains voltage as well as load variations, keeping the DC voltage constant. At the same time, it provides to charge the battery. The inverter converts the DC voltage into an AC sine-wave with stabilized voltage and frequency, and also supplies the load via its static switch SSI.



Picture 2 – Normal operation

3.3.2 Green Conversion

During the operation in *Green Conversion* mode the battery is disconnected from the DC bus by means of a static switch (see picture) and the rectifier works at reduced DC voltage; a control algorithm provides to periodically re-connect the battery for recharge purposes (intermittent charging).



Picture 3 – Green Conversion

When the *Green Conversion* algorithm is active the rectifier operates at reduced DC voltage and supplies the inverter alone, since the battery is disconnected from the DC bus. The battery charge is controlled by a specific algorithm. In case no mains outage events have occurred, and so no battery discharges have occurred too, the control logic provides to start a charging cycle once every 25 days. The battery-charger restores the capacity lost due to the self-discharge and remains in floating charge for additional 12 hours. As this time has elapsed the battery static switch is opened and the battery is disconnected from the DC bus.

In case a discharge event occurs, the control logic provides to calculate the capacity which has been lost during the discharge; as the mains is restored a charging cycle is started, which is extended for an additional time that depends on the percentage of lost capacity, referred to the rated value.

- Lost capacity < 10% → Additional charge for **12 hours**
- Lost capacity between 10% and 20% → Additional charge for **48 hours**
- Lost capacity > 20% → Additional charge for **96 hours**

Such values complies with the recommendations of the main battery manufacturers.

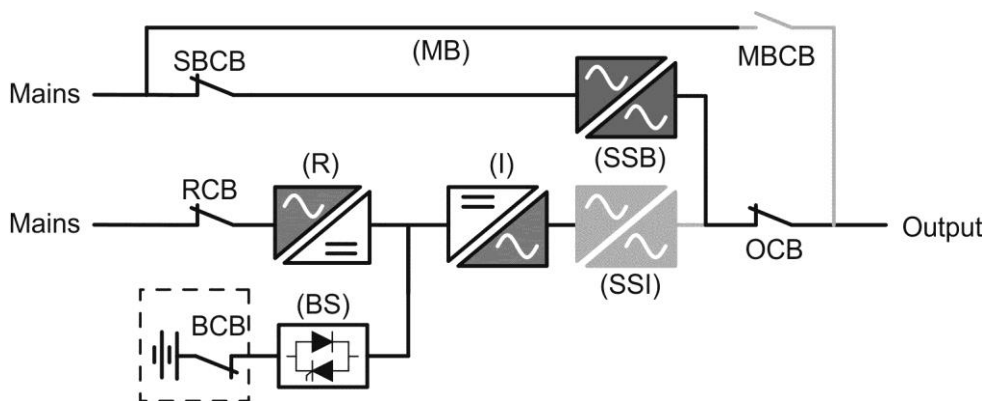


Set the right battery capacity

The UPS front panel allows the setting of the battery parameters, including the rated capacity. Considering the importance that such value assumes for the correct execution of the charge control algorithm, it is highly recommended to verify the correctness of the programmed value.

3.3.3 Bypass operation

The load can be switched to bypass either automatically or manually. The manual changeover is due to the BYPASS SWITCH which forces the load to bypass. In case of failure of the bypass line, the load is switched back to inverter without interruption.



Picture 4 – Load supplied by bypass

3.3.4 Battery operation

In case of power failure or rectifier fault, the battery feeds the inverter without interruption. The battery voltage drops based on the amplitude of the discharging current. The voltage drop has no effect on the output voltage, which is kept constant by changing the PWM modulation. An alarm is activated when the battery is near the minimum discharge value.

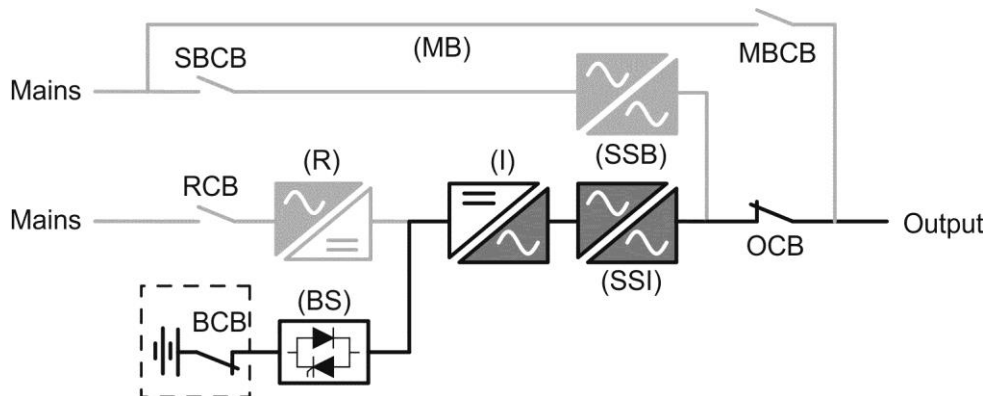
In case the supply is restored before the battery is completely discharged, the system will be switched back to normal operation automatically. In the opposite case, the inverter shuts down

and the load is switched to the bypass line (bypass operation). If the bypass line is not available or is out of tolerance, the loads supply is interrupted as soon as the battery reaches the discharge limit threshold (*black-out*).

As soon as the supply is restored, the rectifier will recharge the battery. In the standard configuration, the loads are supplied again via static switch SSB when mains is available again. The inverter is restarted when the battery has partially restored its capacity.

The system restart from the *black-out* condition can be customized based on the requirements of the plant, in three different modes:

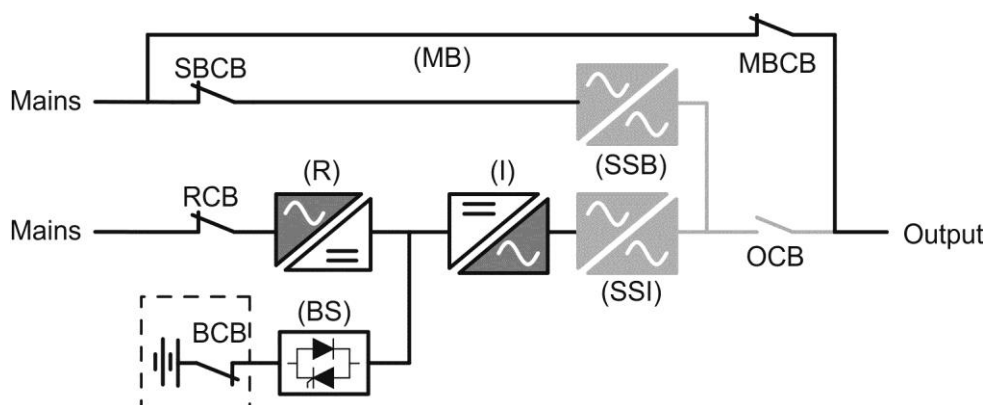
- Bypass → loads are supplied as soon as the bypass line is available (factory configuration).
- Inverter → loads are supplied by the inverter (even if the bypass line is available) when the battery voltage has reached a programmed threshold, after the rectifier restart.
- Man. Inverter → the output supply is NOT restored automatically. The system requires a confirmation to restart which can only be done manually by the user via the front panel.



Picture 5 – Battery operation

3.3.5 Manual bypass

The manual bypass operation is necessary whenever the UPS functionality is tested, or during maintenance or repair work.



Picture 6 – Manual bypass for functional checks



Follow the procedures contained in the manual

The sequence of manual bypass switching and return must be carried out with respect to the procedure indicated in the installation and start-up section. The manufacturer cannot accept responsibility for damages arising from incorrect operation.

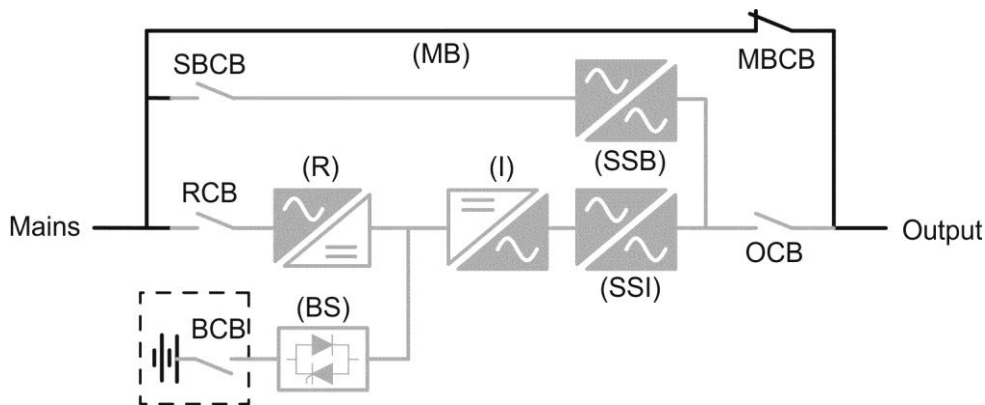


Wiring of the auxiliary contacts

Carry out a proper electrical installation by wiring the auxiliary contacts of the manual bypass and output isolators to the dedicated terminals on board the UPS. This will allow the control logic to acquire the status of the switches and guide the operator during the start-up and manual bypass procedures.

For further information refer to the section "Installation and start-up".

During the manual bypass due to repair or maintenance, the UPS is completely shut down and the load is directly supplied by the bypass line.



Picture 7 – Manual bypass for repair or maintenance works

3.4 CONTROL AND OPERATION DEVICES

The control and operation devices of the UPS are indicated below:

- Isolator on rectifier input (RCB)
- Isolator on bypass input (SBCB)
- Isolator on UPS output (OCB)
- Manual bypass isolator (MBCB)
- Battery Isolator / Circuit breaker (BCB) - External, inside the battery cabinet
- Emergency power off button (EPO)
- Normal/Bypass selector
- Touch screen control panel



Check the personnel training

The use of the operation and control devices of the UPS is intended for authorized personnel only. We recommend to check the training of the personnel responsible for the use and maintenance of the system.

3.4.1 Isolators

The isolators provided on the UPS are used to isolate the power components of the device from the AC supply line, from the storage battery and from the load.



Voltage present on terminals

The isolators do not isolate the UPS completely, since AC voltage is still present on the UPS input terminals. Before carrying out any maintenance on the unit:

- Isolate the device completely by operating the external circuit breakers;
 - Wait at least 5 minutes in order to allow the capacitors to discharge.
-

3.4.2 Emergency power off command (EPO)

The emergency power off command is used to disconnect the UPS output immediately, interrupting the loads supply. It also shuts down the inverter.



Operate the command only in case of real emergency

The components of the system are subject to a high stress when the emergency power off command is operated under load presence.

- Use the emergency power off button only in case of real emergency.



Supply reset

Reset the output supply only when the causes which led to the emergency shutdown have been eliminated and you are sure that there is no hazard to persons and things.

3.4.3 Normal/Bypass selector

The Normal/Bypass selector is installed externally, on the rear of UPS. It is generally used during the manual bypass procedure, when it is necessary to isolate the UPS for maintenance or repair.



Follow the procedures contained in the manual

The Normal/Bypass selector shall only be operated in accordance with the procedures specified in the installation and start-up section. The manufacturer cannot accept responsibility for damages arising from incorrect operation.

3.4.4 LCD control panel

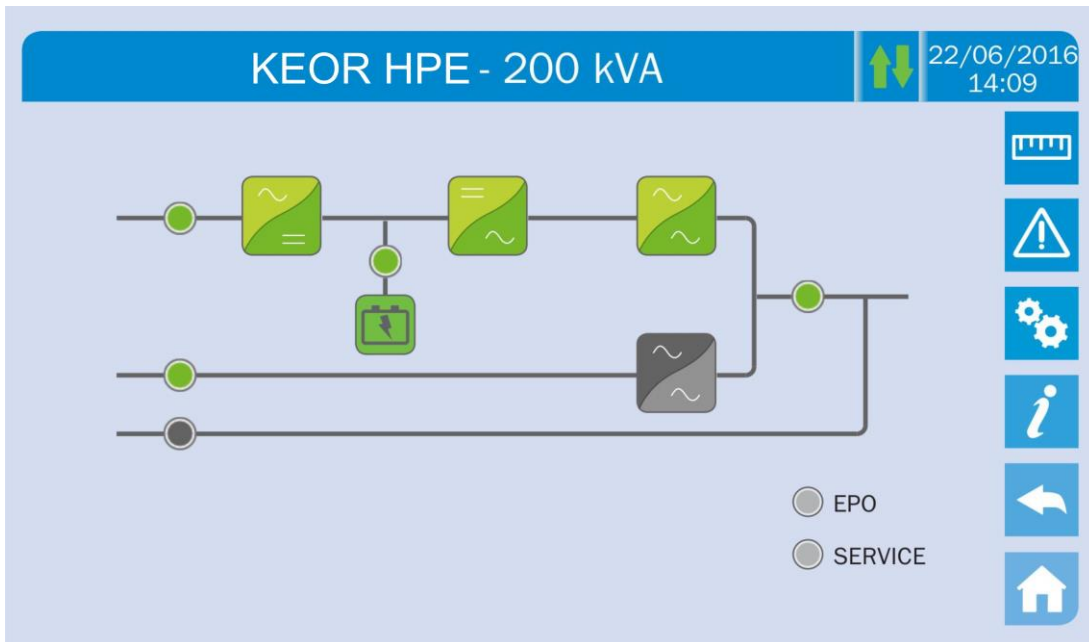
The control panel of the UPS is used in order to:

- Check the operating parameters of the device
- Check the alarms present
- Access the event log
- Display the information on the device
- Modify the operating parameters

The menu which allows to change the parameters is password-protected in order to prevent access to unauthorized personnel.

4 CONTROL PANEL

The UPS control panel is a 10.1" *touch screen* which dialogues with the I/O module control logic via serial protocol. The main page (**Home**) shows the system flow diagram, from which all the UPS operating variables can be displayed.



Picture 8 – UPS front panel, Home page

4.1 ICONS

Browsing through the pages of the *touch screen* is possible through the six icons provided on the right hand side; the icon with the up-down arrows controls the display communication.

Icon		Assigned functions
	<i>Measures</i>	Enters the <i>Measures</i> section
	<i>Alarms</i>	Enters the <i>Alarms</i> section and resets the buzzer if activated
	<i>Settings</i>	Enters the <i>Settings</i> section
	<i>Info</i>	Enters the <i>Info</i> section
	<i>Back</i>	Goes back one page
	<i>Home</i>	Goes back to the <i>Home</i> page
	<i>Communication</i>	Controls the communication between the panel and the UPS electronics

4.1.1 Icons colours

The icons can take on different colours on the basis of the UPS operating condition; in general the basic colours are:

- Light blue → It indicates that the section is related to the UPS.
- Grey → The keys turn grey (disabled) when the key specific section is entered.
- Red → The **Alarms** key will turn red in case an alarm occurs.

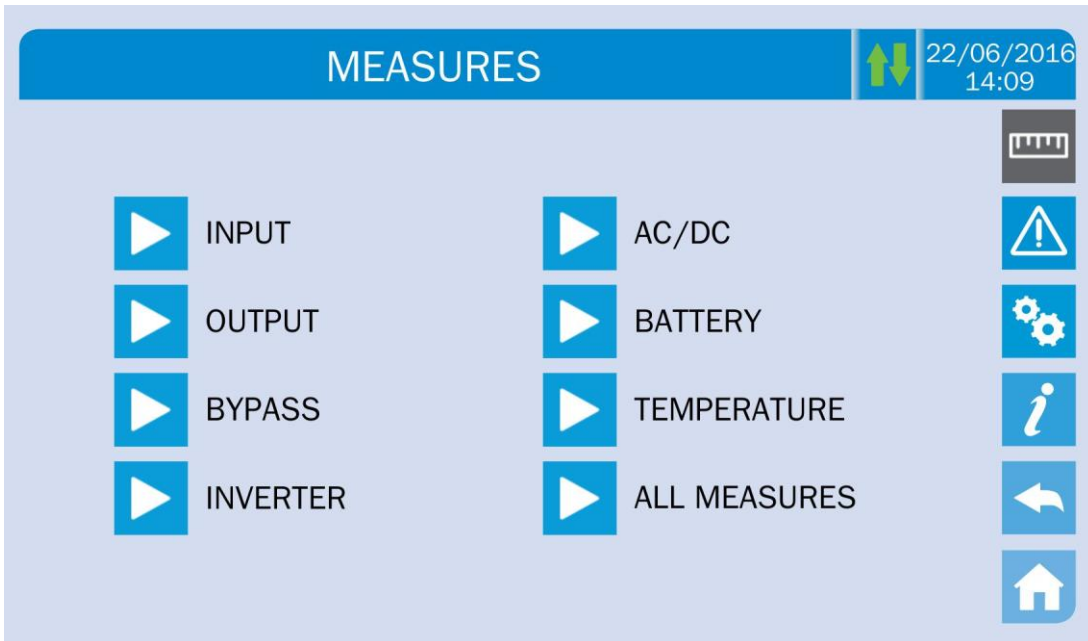
For what concern the *Communication* icon, it turns red in case of communication error between the *touch screen* and the UPS control logic.

5 TOUCH SCREEN – MANAGING THE UPS

The UPS operating parameters can be managed by entering the various sections of the control panel from the *Home* page directly.

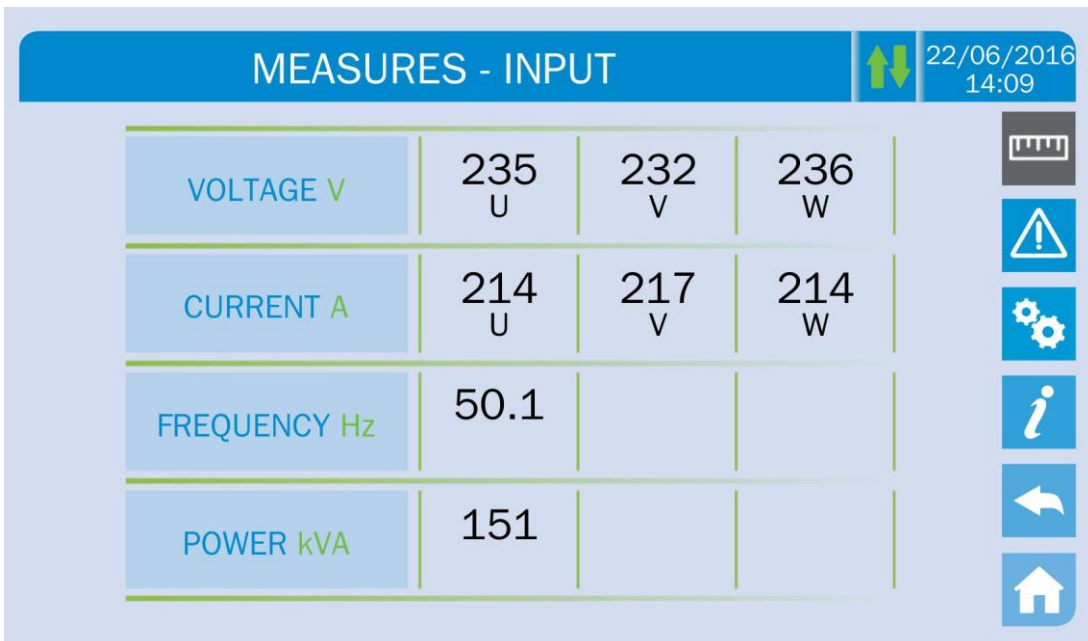
5.1 DISPLAYING THE MEASURES

Press on the *Measures* icon to enter the main page.



Picture 9 – MEASURES section

The measures page of a specific section of the UPS is entered pressing one of the arrows. A typical *Measures* page is shown below.



Picture 10 – Input measures page

The list of all the available measures is given below.

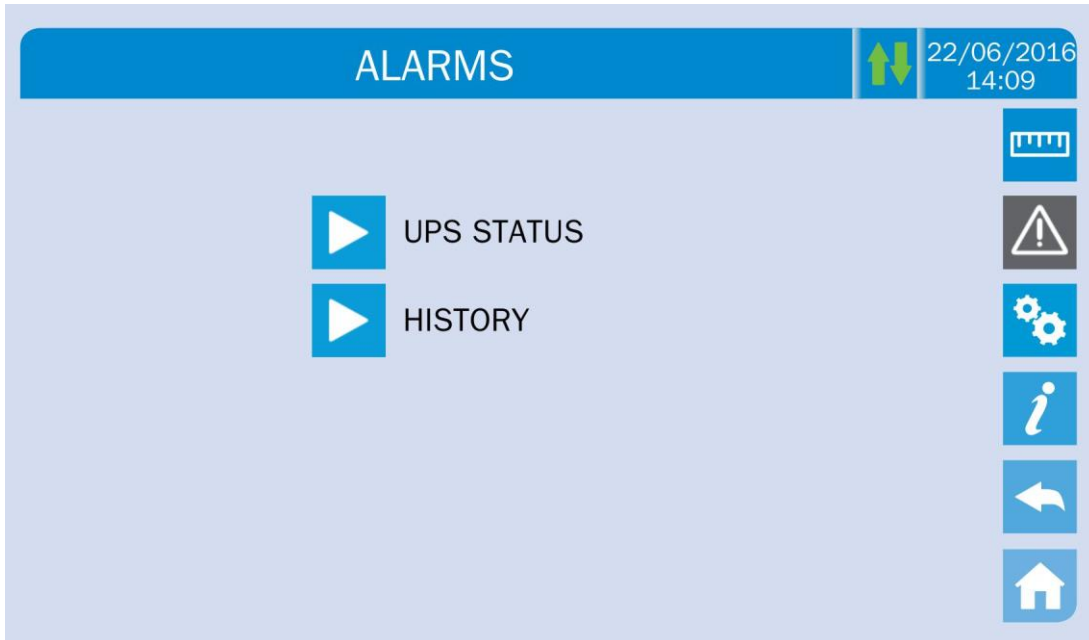
Sub-page	Displayed data	Accuracy
INPUT	Rectifier input voltage ⁽¹⁾	1 V
	Rectifier input current	1 A
	Frequency	0,1 Hz
	Input power	1 kVA
OUTPUT	Voltage ⁽¹⁾	1 V
	Current	1 A
	Load percentage	1 %
	Active power	1 kW
	Apparente power	1 kVA
	Frequency	0,1 Hz
BYPASS	Voltage ⁽¹⁾	1 V
	Frequency	0,1 Hz
INVERTER	Voltage ⁽¹⁾	1 V
	Frequency	0,1 Hz
AC / DC	Rectifier output voltage	1 V
BATTERY	Voltage and current	1 V / 1 A
	Rated capacity	1 Ah
	Residual autonomy	1 min / 1 %
TEMPERATURE ⁽²⁾	Battery	0,1° C
	UPS	0,1° C

⁽¹⁾ The voltage measures are always given referred to the phase-to-neutral value

⁽²⁾ The temperatures are displayed only if the relevant probe is installed

5.2 BASIC DIAGNOSTICS

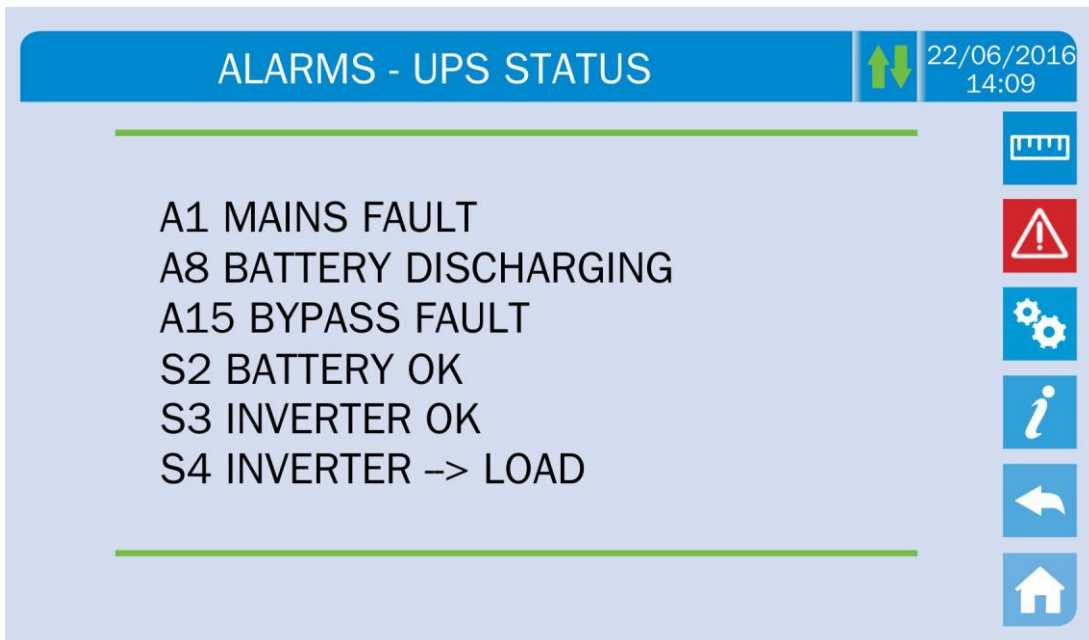
Pressing the *Alarms* icon will open the page where either the UPS operating status or the history log can be selected.



Picture 11 – ALARMS section

5.2.1 Displaying the operating status

Press *UPS status* to show the UPS operating status, which includes possible active alarms.








Picture 12 – ALARMS section

The current system status is shown; in case the list is longer than the page capacity (8 lines) it can be scrolled by sliding a finger on the screen.

5.2.2 Icons colours

The icons *Alarms* and *Home* take on different colours on the basis of both the UPS operating condition and the displayed page.

Icon	Colour	Meaning
	Light blue Dark blue	No active alarms
	Grey	No active alarms A page of the <i>Alarms</i> section is currently displayed
	Red	Active alarm; if the alarm is affecting one of the modules the relevant icon in the <i>Home</i> page will turn <i>Orange</i> or <i>Red</i>
	Light blue	No active alarms
	Red	Active alarms in the I/O module while a page of one of the power modules sections is currently displayed

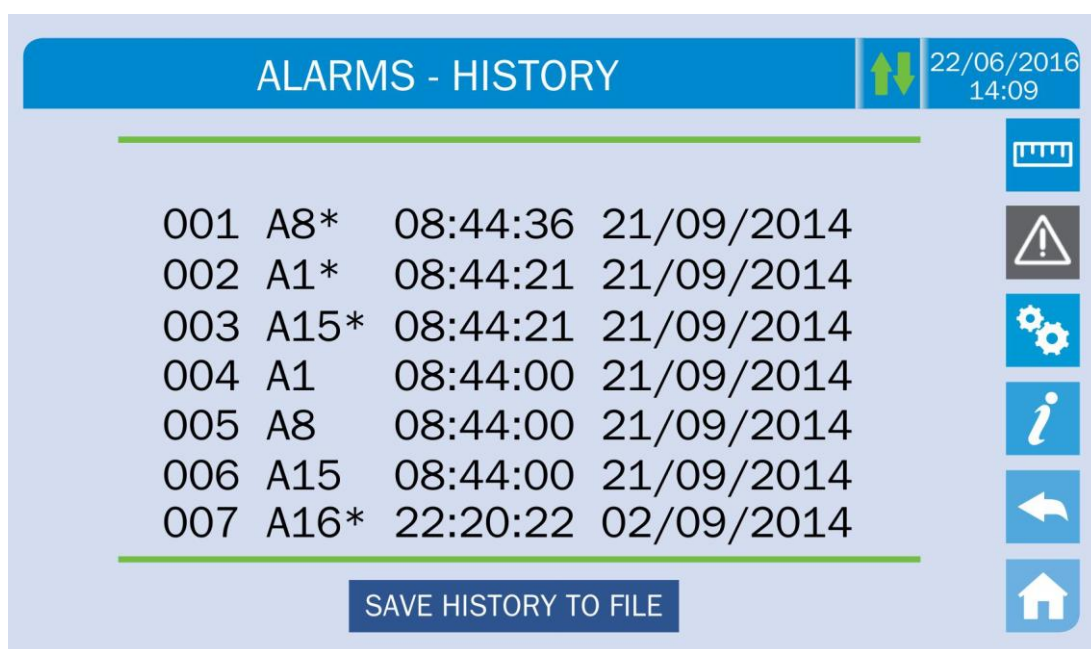
The audible indicator, if enabled, is activated to show the occurred failure. The audible alarm is silenced by pressing the *Alarms* icon.



Automatic erasure of alarms

Should an alarm occur and then the conditions that originated it no longer exist, the alarm will be automatically cancelled and the system restarted.

5.2.3 Displaying the alarms history



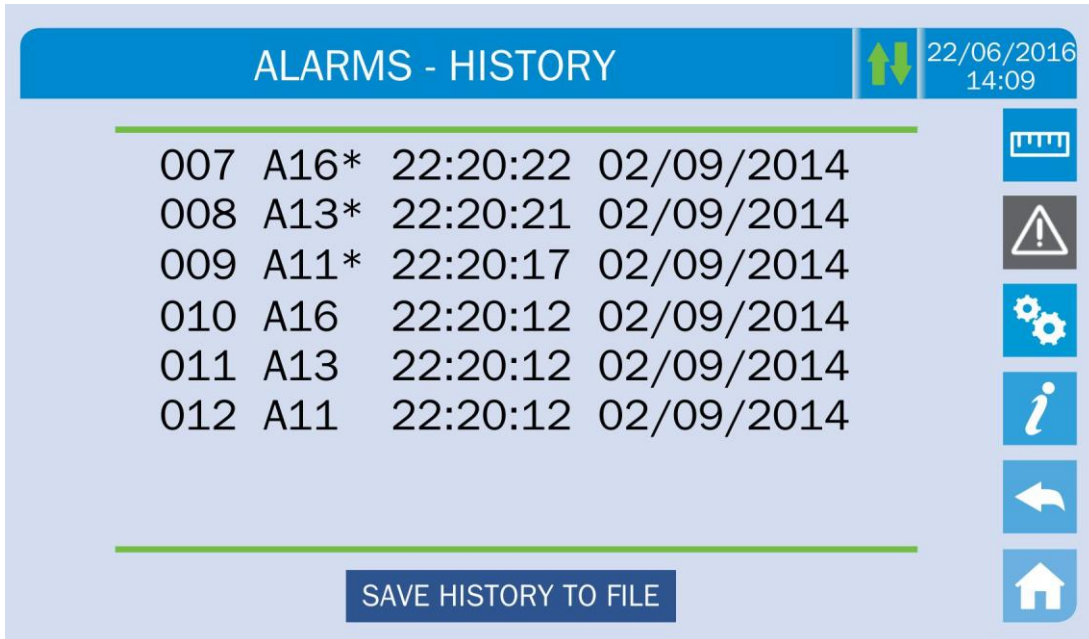
Picture 13 – History log, page 1

The first event shown is the latest one in order of time; a new event makes all the other events automatically shift one position, clearing the oldest event.

Each line shows the number of the event (position within the list), the alarm code and date and time; an asterisk indicates the automatic reset of the alarm.

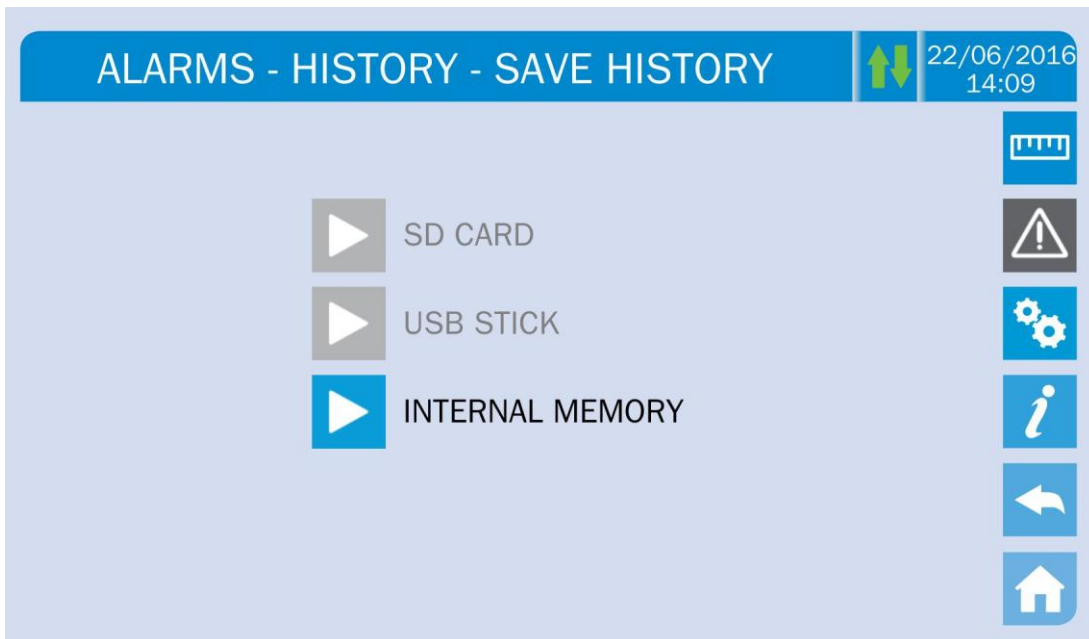
The maximum number of events which can be shown is equal to 250.

The events log can be scrolled by sliding a finger on the screen.



Picture 14 – History log, page 2

Pressing the key *Save history to file* will open the following page.



Picture 15 – Saving the history log

The *touch screen* automatically recognizes when an external memory support (USB stick or SD card) is inserted, and changes the colour of the relevant icon from grey (disabled) to blue (enabled).

The text file that will be saved contains the same information available on the *History* pages, completed with the description of each event.

5.2.4 Alarms and operating status

ALARMS

A1	MAINS FAULT	A31	MBCB BUS CLOSED
A2	INPUT WRONG SEQ	A32	EPO BUS CLOSED
A3	BOOSTER STOPPED	A33	ASYMMETRIC LOAD
A4	BOOSTER FAULT	A34	SERVICE REQUIRED
A5	DC VOLTAGE FAULT	A35	DIESEL MODE
A6	BATTERY IN TEST	A36	DC FASTSHUTDOWN
A7	BCB OPEN	A38	INV --> LOAD
A8	BATTERY DISCHARGE	A39	INV ERROR LOOP
A9	BATTERY AUT END	A40	SSI FAULT
A10	BATTERY FAULT	A41	RECT ERROR LOOP
A11	SHORT CIRCUIT	A44	DESATURATION
A12	STOP TIMEOUT SC	A45	HIGH TEMP SSW
A13	INV OUT OF TOL	A46	PAR LOST REDUND
A14	BYPASS WR SEQ	A47	SEND PARAM ERROR
A15	BYPASS FAULT	A48	RCV PARAM ERROR
A16	BYPASS --> LOAD	A49	TEST MODE ERROR
A17	RETRANSFER BLOCK	A51	BATT TEMPERATURE
A18	MBCB CLOSED	A52	INVERTER BLOCK
A19	OCB OPEN	A53	FIRMWARE ERROR
A20	OVERLOAD	A54	CAN ERROR
A21	THERMAL IMAGE	A55	PAR CABLE DISC
A22	BYPASS SWITCH	A56	MAINS UNBALANCE
A23	EPO PRESSED	A57	INPUT CURRENT UNBALANCE
A24	HIGH TEMPERATURE	A58	INVERTER CURRENT UNBALANCE
A25	INVERTER OFF	A59	BACKFEED RELAY ON
A26	COMMUNIC ERROR	A61	LOSS OF. RED. SUPPLY
A27	EEPROM ERROR	A62	MAINS OVERVOLTAGE
A28	CRITICAL FAULT	A63	START SEQ BLOCK
A29	MAINTENANCE REQ	A64	MAINS UNDERVOLTAGE
A30	COMMON ALARM		

STATUSES

S1	BOOSTER OK	S10	RECTIFIER STAND-BY
S2	BATTERY OK	S11	INVERTER STAND-BY
S3	INVERTER OK	S12	BATT STAND-BY
S4	INVERTER --> LOAD	S14	BATT CHARGE I
S5	INV BYPASS SYNC	S15	BATT CHARGE U
S6	BYPASS OK		
S7	BYPASS --> LOAD		
S8	INV MASTER SYNC		



Display and recording mode of alarms

- The statuses are always displayed in ascending order when the ALARMS – STATUS menu is entered.
 - The alarms are shown when they are present and must be silenced with the buzzer.
 - The alarms remain displayed whilst they are present and they are automatically stored in the event log with date and time.
-

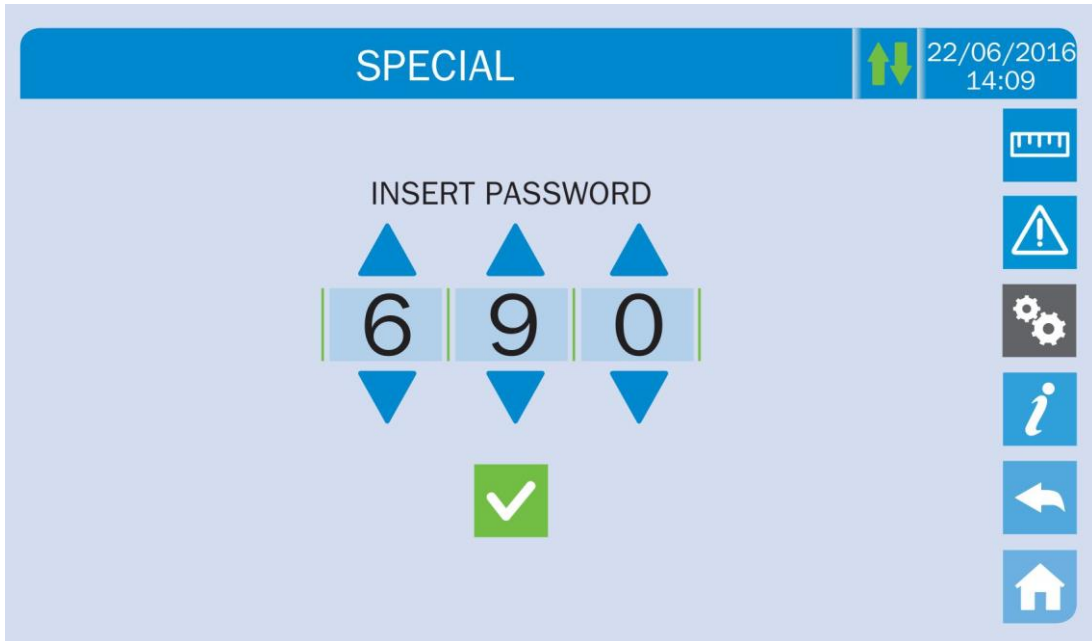


Description of alarms and statuses

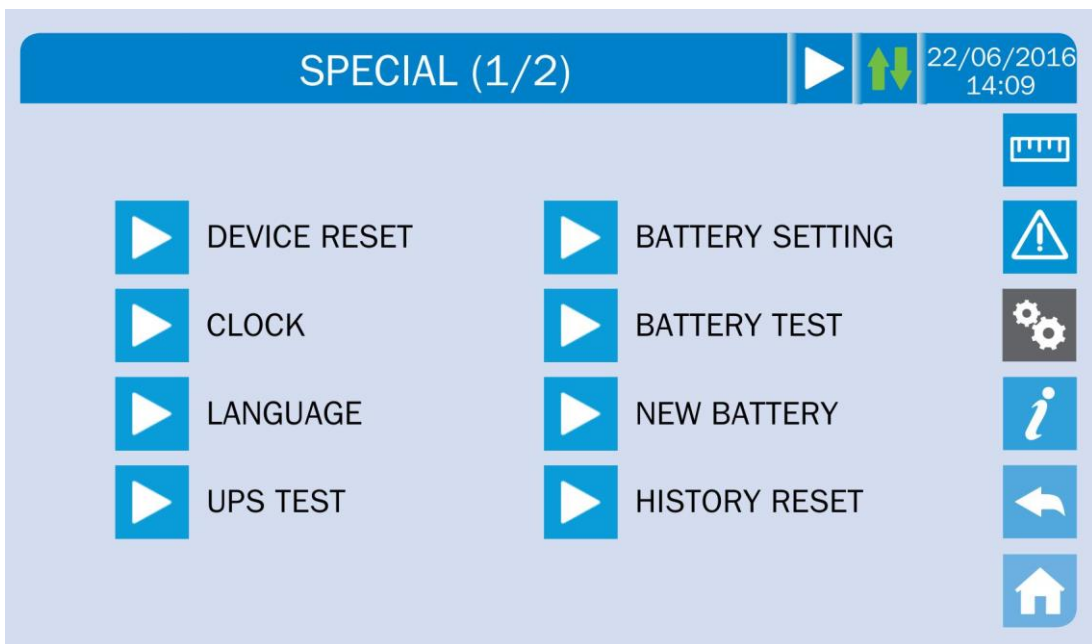
For a more detailed description of the alarms and statuses, see the “Faults and alarms” section of the present manual.

5.3 SETTINGS AND ADVANCED OPERATIONS

Pressing the *Settings* icon will show the setting section access page, protected by password.

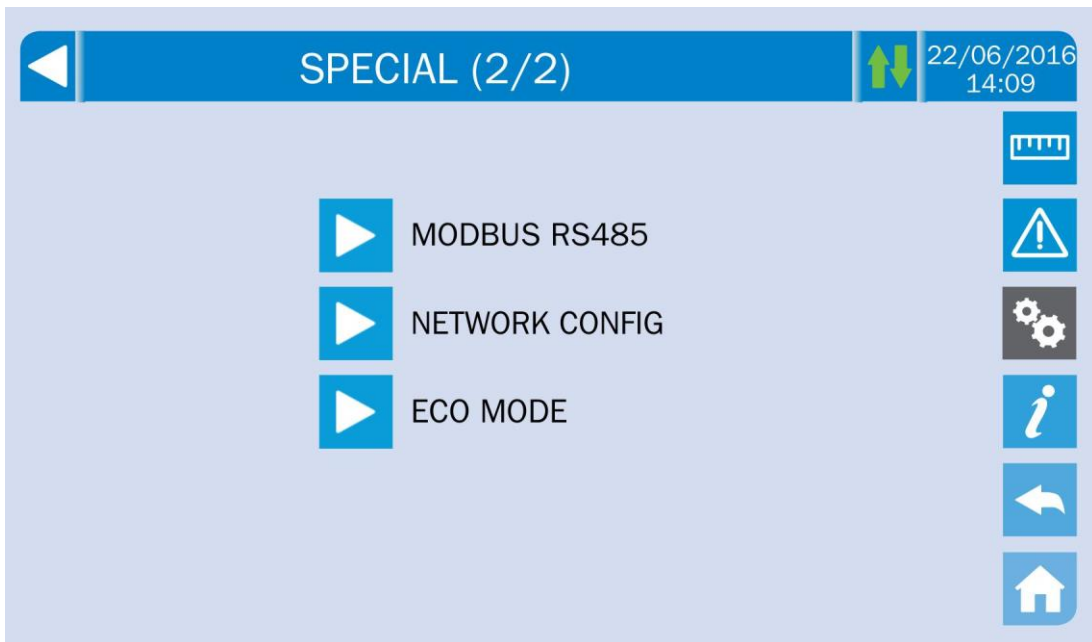


Picture 16 – Access password to the Settings section



Picture 17 – SETTINGS section, page 1

The arrow in the upper main bar indicates that the section contains further pages.



Picture 18 – SETTINGS section, page 2



Password-protected access

The SETTINGS menu is protected by a password set by the factory in order to prevent access to unauthorized personnel.

- We recommend minimum disclosure of the access password.
- Changes to the operating parameters and starting operations on the UPS may be potentially dangerous for the device and for persons.

5.3.1 Resetting the device

The UPS is equipped with internal protections which block the system or some of its sections. The alarm can be cleared and normal operation can be resumed via the *DEVICE RESET* page. In case the failure persists, the UPS will return to the previous failure condition.

In some cases the RESET is necessary to simply reset a failure signal, then the UPS will resume operation. The failure conditions which impose a manual reset are:

- Activation of the battery fault alarm (alarm A10)
- Static switch re-transfer block (alarm A17)
- Scheduled maintenance request (alarm A29)
- Booster shutdown due to the operation of the load symmetry sensor (alarm A33)
- Inverter shutdown due to voltage control loop error (alarm A39)
- Booster shutdown due to voltage control loop error (alarm A41)
- Booster shutdown due to current control loop error (alarm A43)
- Block due to the disconnection of one parallel cable (alarm A50)
- Block due to the disconnection of two parallel cables (alarm A55)

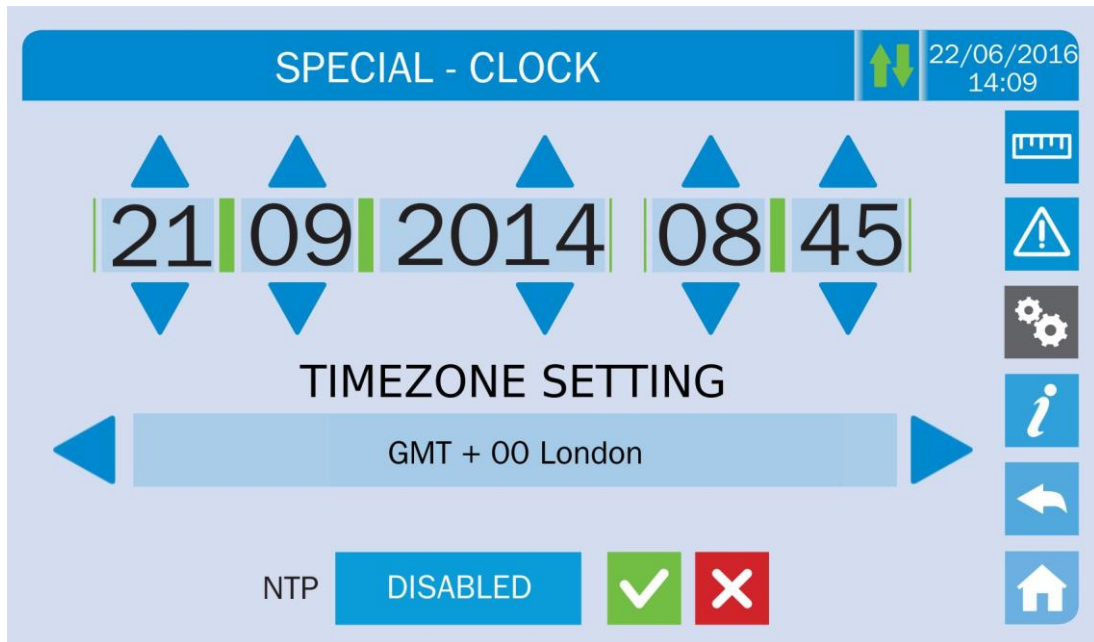
- System restart after a shutdown due to EPO activation

Several specific blocking conditions of the power modules can only be cleared by directly entering the *Settings* section of the modules (see relevant paragraph).

For a description of the UPS status in each of the failure conditions listed above, please refer to the “Faults and alarms” section.

5.3.2 Setting date and time

Date and time may be set via the *CLOCK* page.



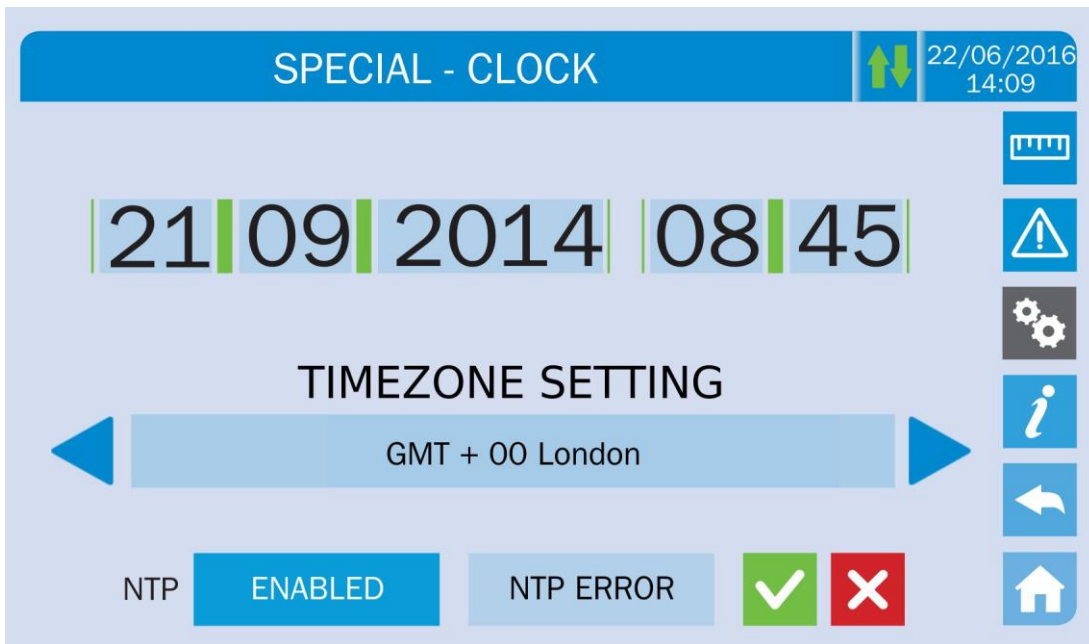
Picture 19 – Clock manual setting



Setting the current date and time correctly

The correct setting of the date and time is essential for the recording of the event log.

The system also allows the setting of a NTP server for the synchronization of date and time. Such configuration mode is enabled by pressing the label *Disabled*. As the NTP server is enabled the data can't be manually entered anymore.



Picture 20 – Clock automatic setting

The NTP server access parameters can be configured via the *Network configuration* pages in the *Settings* section. In case the server does not respond or the LAN connection is lacking, the message *NTP ERROR* will be displayed.

5.3.3 Setting the display language

The following picture shows the languages that can be set.



Picture 21 – Language setting

The language selection is made pressing one of the flags.

5.3.4 Resetting the history log

The history log can be reset by entering the *HISTORY RESET* section; the operation requires a further confirmation.



Loss of data

The alarms history contains very important data to monitor the device behaviour over time. We recommend to save the data before deleting it.

5.3.5 Setting the RS485 user interface parameters

The parameters regarding the communication via RS485 interface can be set in the *MODBUS RS485* section.

This section allows to set the ModBus address, the communication mode and the data transmission speed.

5.3.6 New battery

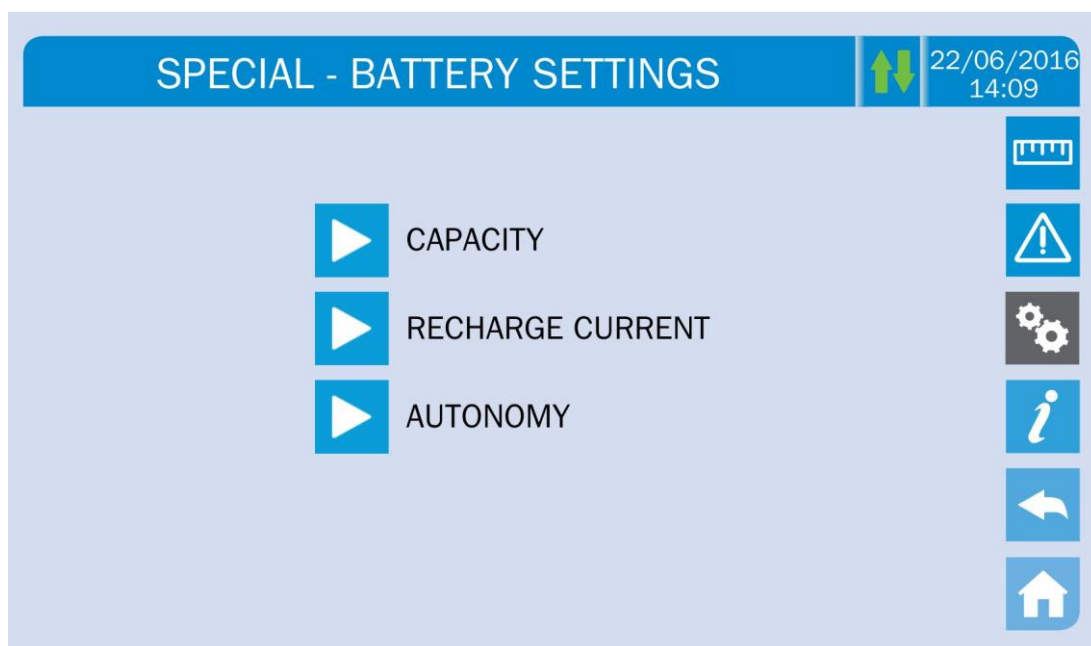
The page *NEW BATT* is used in case battery circuit breaker BCB is not closed, when requested, in the start-up phase. In this case the system will start considering the battery completely discharged and activating the alarm "A10 – BATTERY FAULT".

To set the battery autonomy to 100% it is necessary to access the section and confirm the operation in the confirmation page.

In case of distributed battery configuration such section is disabled and can be found in the *Settings* section of each power module.

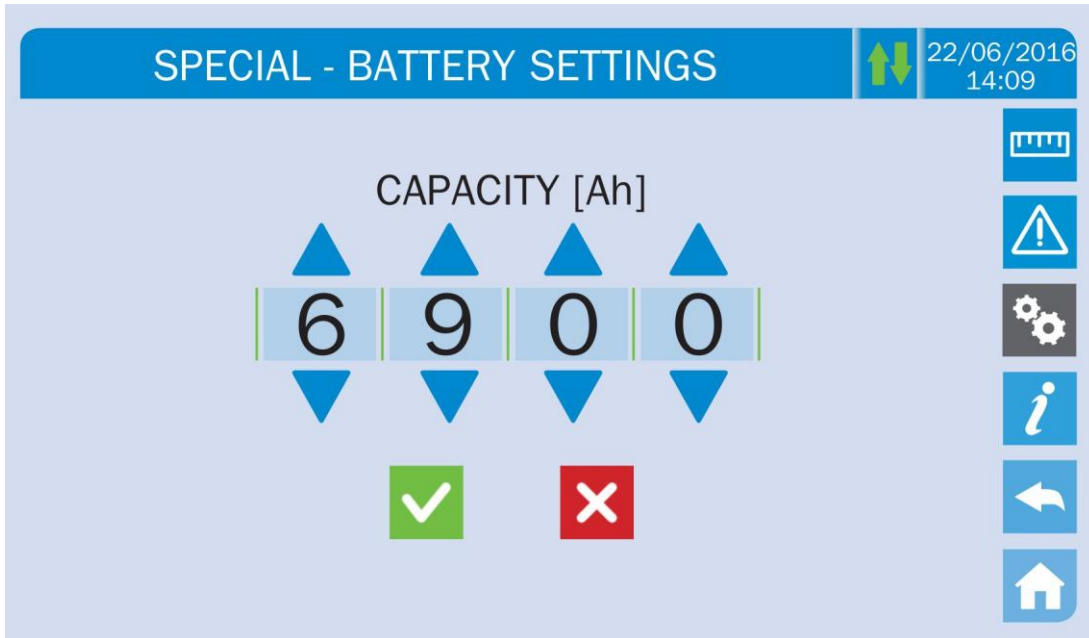
5.3.7 Setting the battery

In case the UPS has been tested without knowing the characteristic data of the storage battery, the *BATTERY SETTING* section allows to set such data. Each single settable parameter can be accessed via the following page.



Picture 22 –Battery parameters setting

The various parameters setting pages are similar to each other and requires the operator to enter and confirm the value; the setting page of the battery capacity is given below as a reference.



Picture 23 – Battery parameters setting

5.3.8 Battery test

The *BATTERY TEST* section allows to carry out a short discharge test of the battery. In case the battery is not efficient, the alarm “A10 – Battery fault” is generated at the end of the test.



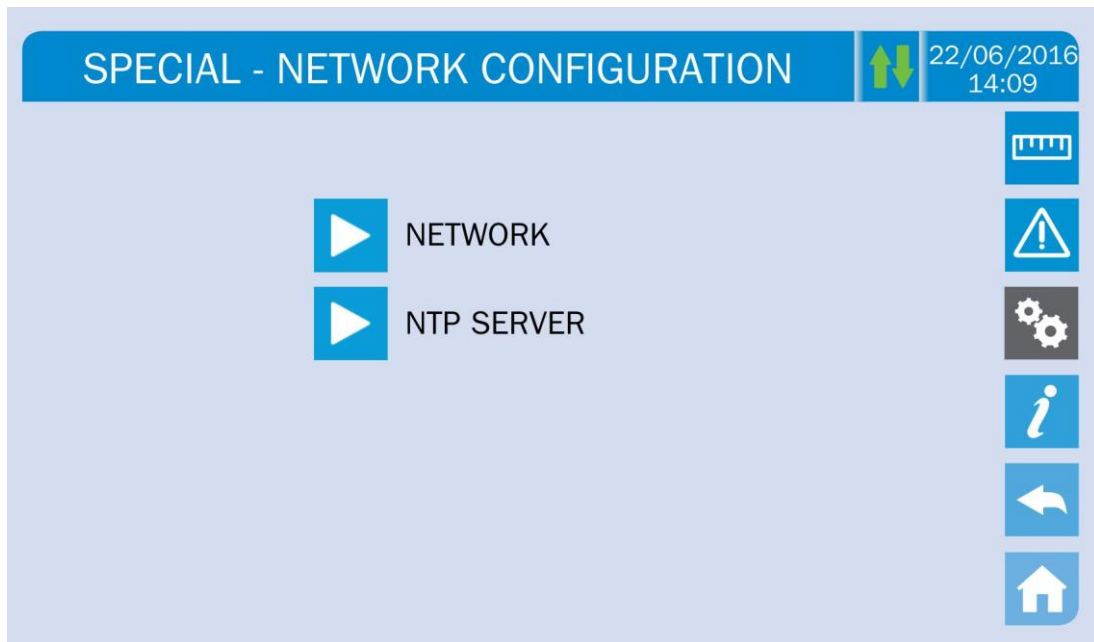
Possible loss of supply

This test can affect the continuity of supply to the loads if the battery is not fully charged.

5.3.9 Setting the display network parameters

The *NETWORK CONFIG* section allows to configure the parameters related to the LAN network and to the system time synchronization server.

All the parameters that can be set in this section are related to the communication ports (LAN and RS485) available on-board the *touch screen*.

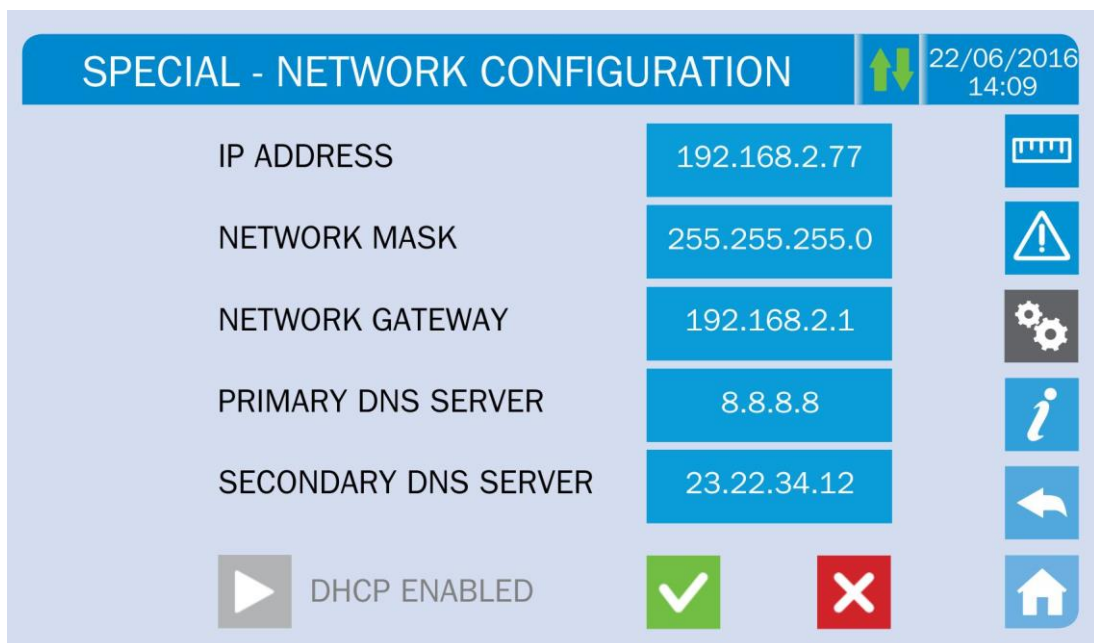


Picture 24 – Touch screen network parameters setting

5.3.9.1 Setting the LAN parameters

The LAN network parameters which can be set are the following:

- IP address
- Network mask
- Network gateway
- Primary DNS server
- Secondary DNS server
- DHCP Enabling / Disabling

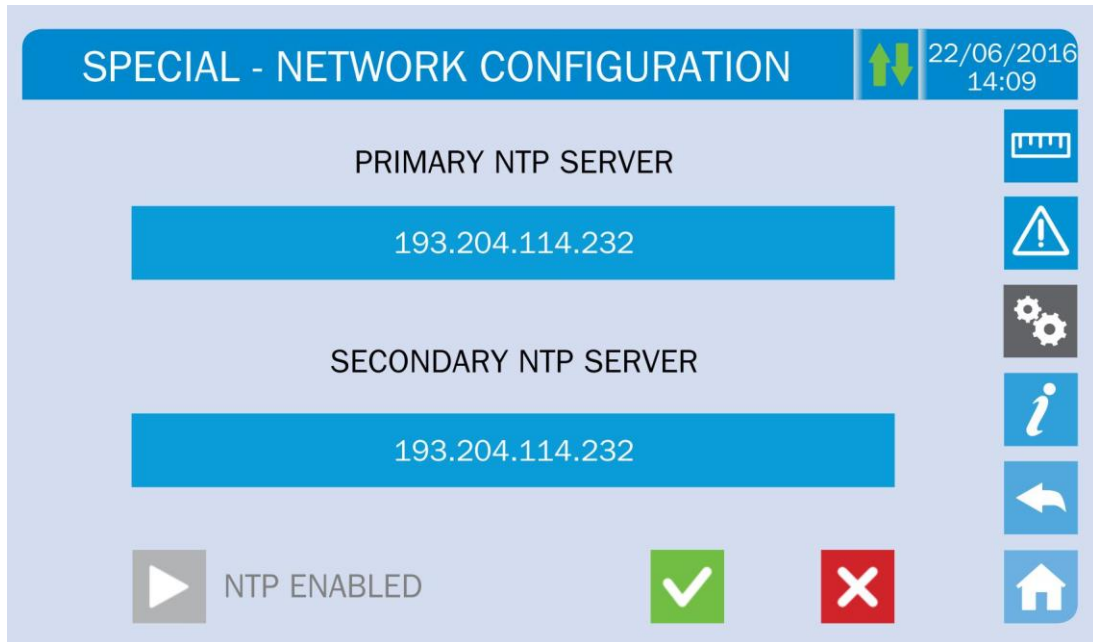


Picture 25 – LAN parameters setting

5.3.9.2 Setting the NTP parameters

The NTP service parameters which can be set are the following:

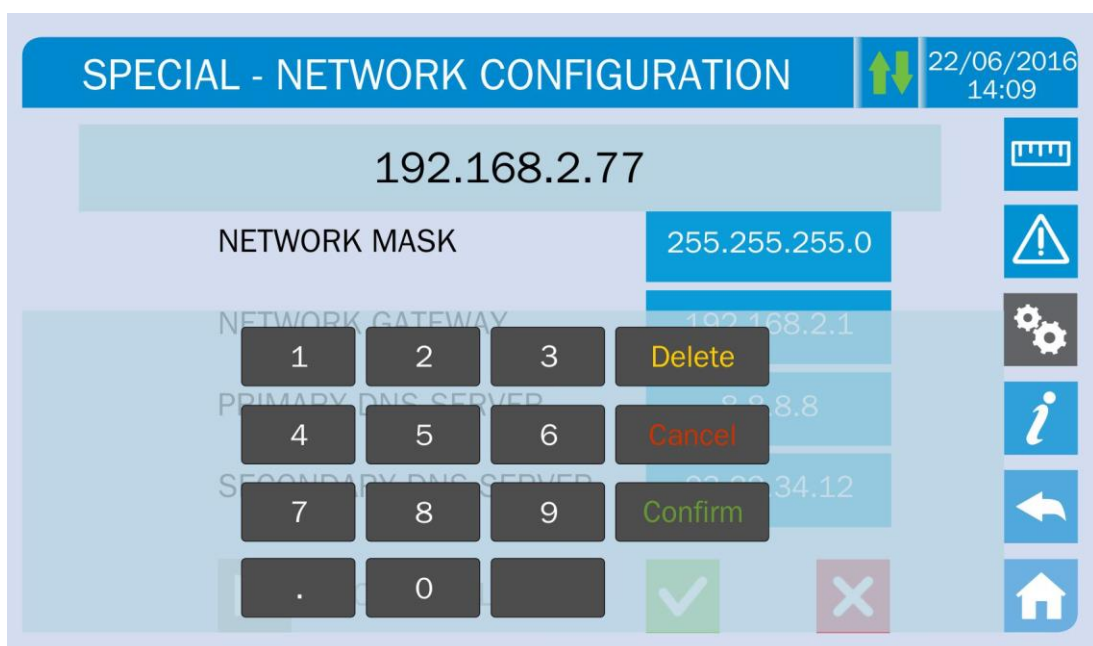
- Primary NTP server address
- Primary NTP server address
- NTP Enabling / Disabling



Picture 26 – NTP parameters setting

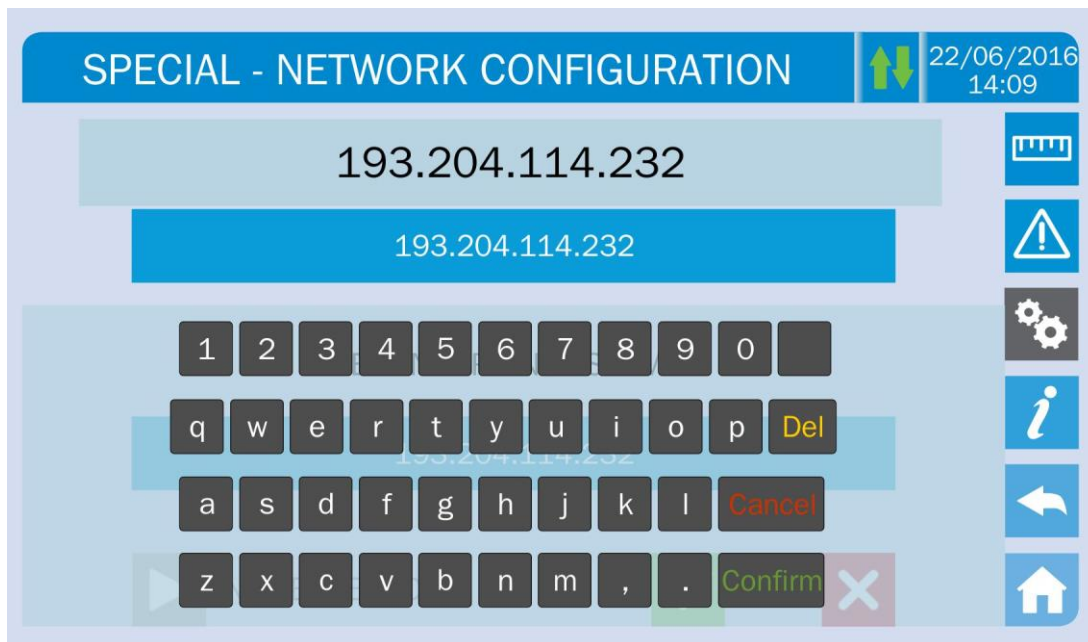
5.3.9.3 Modifying the parameters

The modification of the parameters is performed pressing on the field that is to be modified; the parameter will be displayed on the editable string in the upper part of the page, together with a keypad.



Picture 27 – Modification of numerical parameters

The fields related to the NTP servers may either be numerical (IP address of the remote server) or alphanumeric when the remote server can be reached via a web address. In such case the keypad that will appear in the page is complete.



Picture 28 – Modification of NTP address parameters

5.3.10 Modifying the operating mode – ECO MODE

The section *ECO MODE* allows the modification of the UPS operating mode, from the VFI – Voltage Frequency Independent operation (on-line double conversion) to VFD – Voltage Frequency Dependent. In such mode the load is directly supplied by the AC and the inverter is turned on, ready to take over in case of anomalies of the mains. The transfer occurs in a maximum time of 10 ms.

The stability of the AC mains is controlled by a specific algorithm which provides to automatically de-activate the *LINE INTERACTIVE* mode in case the voltage or frequency are not compliant with the programmed requirements.



Modifying the UPS operating mode – ECO MODE

The modification of the UPS operating mode is reserved to skilled personnel.

Before setting the system in *ECO MODE* verify that the load is suitable for operating in such mode, and that it withstand voltage interruptions for a maximum duration of 10 ms.

It is recommended to operate under the supervision of manufacturer's personnel or following its specific indications.

The manufacturer cannot be considered liable for any damages due to incompetence or inexperience of the customer's authorized personnel.

5.4 SYSTEM INFORMATION

The *INFO* section provides general information about the UPS; press the related icon to open the main page.



Picture 29 – INFO section

All the data shown in the various sections are set during the factory test via a specific interface software and cannot be modified by anyone, except for personnel authorized by the manufacturer.

5.4.1 Device information

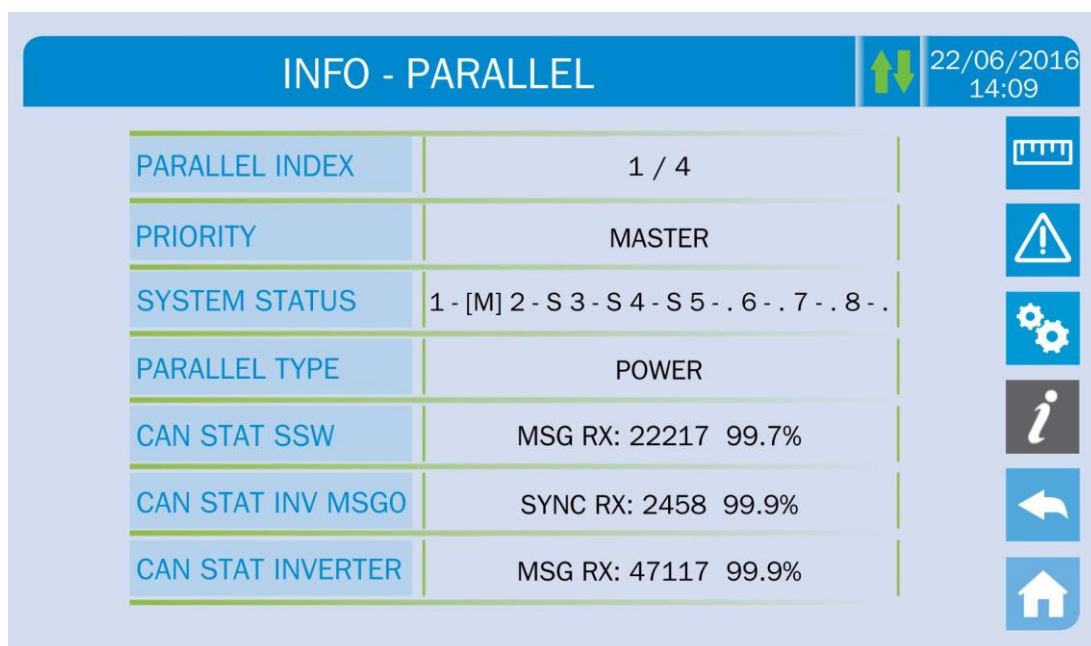


Picture 30 – Device information

Sub-page	Displayed data
SERIAL NUMBER	Serial number assigned by the manufacturer and by a possible OEM distributor
DEVICE TYPE	Device type (ON LINE, ECO, ecc.)
MODE OPERATION	It may be <i>SINGLE</i> , or <i>PARALLEL</i> in case the system is in parallel with other <i>UPSaver</i> UPS's
RUNNING HOURS	Equipment operating hours
CLOCK	Current system date and time setting

5.4.2 Parallel information

The page containing the information about the parallel is only enabled if the UPS is in parallel with other *UPSaver* systems.



Picture 31 – Parallel information

5.4.2.1 Parallel index

The first number identifies the *position* of that specific UPS within the parallel system. The second number represents the total number of *UPSaver* units.

5.4.2.2 Master / Slave priority

The string on the second line may have two values, “MASTER” or “SLAVE”. Only one *MASTER UPS* can be present in the system; if not there will be a conflict on the data communication bus.

5.4.2.3 System status (communication bus monitoring)

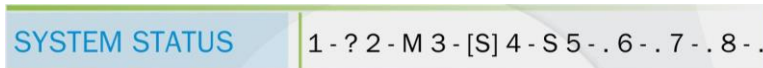
This field gives a general indication regarding the communication between the UPS units composing the system.

- The numbers represent the single UPS units.
- The letters M and S stand for MASTER and SLAVE respectively.
- The brackets [] around a letter indicate that we are working on that specific UPS unit.
- A question mark next to a number indicates that that UPS unit is not communicating on the data bus.

Let us assume to have the following situation:

- system composed of 4 UPS units;
- UPS2 is currently the MASTER UPS;
- we are checking the data communication on UPS3;
- UPS4 is not communicating.

The section will be as shown below.



Picture 32 – Parallel bus communication status

5.4.2.4 Parallel type

The string may have two values, "POWER" or "REDUNDANT+x".

- POWER means that the parallel system is so set as to require the presence of all the UPS units to feed the load.
- REDUNDANT+x means that the system is redundant and the redundancy index is indicated by number "X". For example, in a system composed of 3 UPS units, "REDUNDANT+2" means that only one of the UPS units is sufficient to feed the load.

5.4.2.5 Message statistics

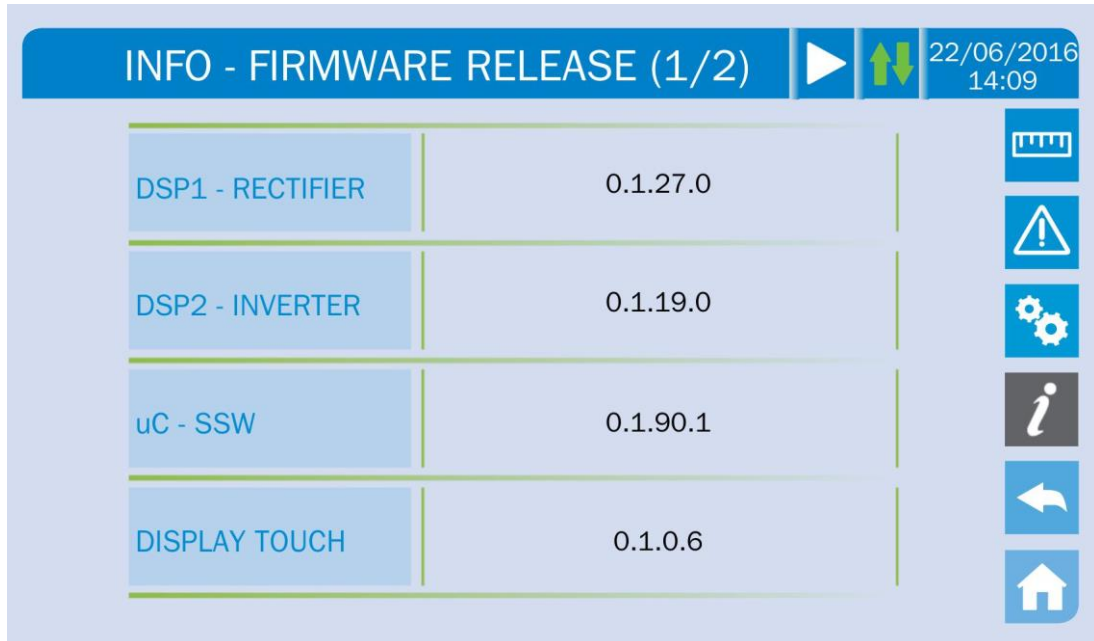
The statistics section regarding the messages exchanged on the communication buses consists of three different parts.

STAT CAN SSW → Number of messages received and percentage of reception accuracy regarding the status of the static switches. The messages are exchanged between all the UPS units, therefore the number will increase on all of them.

STAT CAN INV MSG0 → Number of messages received and percentage of reception accuracy regarding the synchronism signals. The messages are sent by the MASTER UPS, therefore the number will only increase on the SLAVE UPS units.

STAT CAN INVERTER → Number of messages received and percentage of reception accuracy regarding the status of the system. The messages are exchanged between all the UPS units, therefore the number will increase on all of them.

5.4.3 Firmware release



Picture 33 – Firmware release

The second page of the firmware release info contains the license contract related to the *touch screen* operating software.

5.4.4 Service information

The SERVICE menu provides important information regarding the technical service on the UPS. The information is displayed via a text string which shows the contact main details.

However, please also see the addresses and contact numbers indicated in the present manual

5.4.5 RS485 communication information

The MODBUS RS485 section provides information about the settings of the communication port, as regards the assigned ModBus address, the communication mode and the data transmission speed.

6 FAULTS AND ALARMS

As indicated in the previous chapters, the system is provided with basic diagnostics which allow immediate visualization of the operating conditions.

The *Alarms* icon turns red and the acoustic signal is activated (if enabled). In the *UPS Status* page both the alarm code and a brief description are shown.



Injury hazard due to electric shock!

Before carrying out any operation on the UPS, make sure that all the safety precautions are adhered to:

- Any work on the unit must be carried out by qualified personnel;
 - Internal components can only be accessed after disconnecting the device from supply sources;
 - Always use protective devices designed for each type of activity;
 - The instructions contained in the manuals must be strictly followed;
 - In case of doubt or impossibility of solving the problem, please contact Astrid Energy Enterprises immediately.
-

6.1 OPERATING STATUS DEFINITION

Status	S1	BOOSTER OK
Description	The rectifier section is working properly.	
Operating condition	The rectifier supplies the inverter and keeps the battery charged.	

Status	S2	BATTERY OK
Description	The battery is connected to the UPS.	
Operating condition	The battery is kept charged by the rectifier and is ready to feed the inverter.	

Status	S3	INVERTER OK
Description	The inverter voltage and frequency are within the allowed range.	
Operating condition	The inverter is ready to feed the load.	

Status	S4	INVERTER --> LOAD
Description	The inverter feeds the load.	
Operating condition	The load is fed via the static inverter switch.	

Status	S5	INV BYPASS SYNC
Description	The inverter is synchronized with the bypass.	
Operating condition	The synchronization between the inverter and the bypass is locked, and the static switch can change over from one source to the other.	

Status	S6	BYPASS OK
Description	The bypass voltage and frequency are within the allowed range.	
Operating condition	The bypass line is ready for changeover in case of inverter failure.	

Status	S7	BYPASS --> LOAD
Description	Load fed by the bypass line.	
Operating condition	The load is fed by the bypass via the static switch, waiting for the inverter to restart.	

Status	S8	INV MASTER SYNC
Description	The inverter is synchronized with the MASTER UPS.	
Operating condition	This status is only present on the SLAVE UPS units, and shows that the inverter is synchronized with the signal sent by the MASTER UPS.	

Status	S10	RECT STANDBY (NOT AVAILABLE)
Description	The rectifier is in standby mode.	
Operating condition	The rectifier is off and ready to be started to charge the battery (<i>Green Conversion</i> algorithm).	

Status	S11	INV STANDBY (NOT AVAILABLE)
Description	The inverter is in standby mode.	
Operating condition	The inverter is off and ready to be started in case of anomaly of the bypass mains.	

Status	S12	BATT STANDBY (NOT AVAILABLE)
Description	The battery is in standby mode.	
Operating condition	The battery static switch is open and the battery is disconnected from the DC bus.	

Status	S14	BATT CHARGE I
Description	The battery is charging.	
Operating condition	The battery static switch is closed and the battery is in the first phase of the I/U charging mode (DIN 41773), with constant current and increasing voltage.	

Status	S15	BATT CHARGE U
Description	The battery is charging.	
Operating condition	The battery static switch is closed and the battery is in the second and final phase of the I/U charging mode (DIN 41773), with constant voltage and decreasing current.	

6.2 TROUBLESHOOTING

Alarm	A1 MAINS FAULT
Description	The voltage or frequency of the input line are out of tolerance.
Possible causes	<ul style="list-style-type: none"> ➤ Mains instability or failure. ➤ Wrong phase rotation.
Solutions	<ol style="list-style-type: none"> 1. Check the connections to the mains. 2. Check the stability of mains voltage. 3. If the alarm persists, contact our Technical Support Service.

Alarm	A2 INPUT WRONG SEQ
Description	The phase rotation on the rectifier input line is wrong.
Possible causes	<ul style="list-style-type: none"> ➤ Wrong connection of power cables.
Solutions	<ol style="list-style-type: none"> 1. Check the phase rotation. 2. If the alarm persists, contact our Technical Support Service.

Alarm	A3 BOOSTER STOPPED
Description	The rectifier has been temporarily disconnected and the inverter is fed by the battery.
Possible causes	<ul style="list-style-type: none"> ➤ Instability of the AC line voltage or frequency. ➤ Possible fault in the rectifier control circuit.
Solutions	<ol style="list-style-type: none"> 1. Check the parameters of the AC line voltage. 2. Restart the device. 3. If the alarm persists, contact our Technical Support Service.

Alarm	A4 BOOSTER FAULT
Description	The rectifier has been disconnected due to an internal fault.
Possible causes	<ul style="list-style-type: none"> ➤ Possible fault in the rectifier control circuit.
Solutions	<ol style="list-style-type: none"> 1. Check which alarms are present and carry out the indicated procedures. 2. Restart the device. 3. If the alarm persists, contact our Technical Support Service.

Alarm	A5	DC VOLTAGE FAULT
Description	The measured DC voltage is out of tolerance.	
Possible causes	<ul style="list-style-type: none"> ➤ The battery has reached the discharge voltage due to a power failure. ➤ Measuring circuit failure. 	
Solutions	<ol style="list-style-type: none"> 1. Check the actual value of the measured DC voltage. 2. In case of mains failure, wait for the AC voltage to be restored. 3. Check which alarms are present and carry out the indicated procedures. 4. Restart the device. 5. If the alarm persists, contact our Technical Support Service. 	

Alarm	A6	BATTERY IN TEST
Description	The rectifier voltage is reduced to start a short controlled discharge of the battery.	
Possible causes	<ul style="list-style-type: none"> ➤ A battery test has been started automatically (if set), or manually by the user. 	
Solutions	<ol style="list-style-type: none"> 1. Wait for the test to end, and check possible battery faults. 	

Alarm	A7	BCB OPEN
Description	The battery isolator is open.	
Possible causes	<ul style="list-style-type: none"> ➤ Battery isolator open. 	
Solutions	<ol style="list-style-type: none"> 1. Check the status of the battery isolator. 2. Check the functionality of the auxiliary contact of the isolator. 3. Check the connection between the auxiliary contact of the isolator and the auxiliary terminals of the UPS (if provided). 4. If the alarm persists, contact our Technical Support Service. 	

Alarm	A8	BATTERY DISCHARGE
Description	The battery is discharging.	
Possible causes	<ul style="list-style-type: none"> ➤ The battery is discharging due to a mains failure. ➤ Rectifier failure. 	
Solutions	<ol style="list-style-type: none"> 1. Check which alarms are present and carry out the indicated procedures. 2. If the alarm persists, contact our Technical Support Service. 	

Alarm	A9 BATTERY AUT END
Description	The battery has reached the pre-alarm discharge level.
Possible causes	<ul style="list-style-type: none"> ➤ The battery is discharging due to a mains failure. ➤ Rectifier failure.
Solutions	<ol style="list-style-type: none"> 1. Check which alarms are present and carry out the indicated procedures. 2. If the alarm persists, contact our Technical Support Service.

Alarm	A10 BATTERY FAULT
Description	Fault following a battery test.
Possible causes	<ul style="list-style-type: none"> ➤ Battery fault.
Solutions	<ol style="list-style-type: none"> 1. Check the battery. 2. Reset the system. 3. If the alarm persists, contact our Technical Support Service.

Alarm	A11 SHORT CIRCUIT
Description	The current sensor has detected a short-circuit at the output.
Possible causes	<ul style="list-style-type: none"> ➤ Load problem. ➤ Measuring circuit failure.
Solutions	<ol style="list-style-type: none"> 1. Check the loads connected to the UPS output. 2. If the alarm persists, contact our Technical Support Service.

Alarm	A12 STOP TIMEOUT SC
Description	Inverter shutdown due to an extended short-circuit during a power failure, or due to an overcurrent on the inverter bridge input.
Possible causes	<ul style="list-style-type: none"> ➤ Short-circuit on the loads during a power failure. ➤ Inverter bridge fault. ➤ Temporary current peak.
Solutions	<ol style="list-style-type: none"> 1. Reset the system. 2. If the alarm persists, contact our Technical Support Service.

Alarm	A13 INV OUT OF TOL
Description	The inverter voltage or frequency are out of tolerance.
Possible causes	<ul style="list-style-type: none"> ➤ Inverter shutdown due to an alarm. ➤ Inverter failure.
Solutions	<ol style="list-style-type: none"> 1. Check which alarms are present and carry out the indicated procedures. 2. If the alarm persists, contact our Technical Support Service.

Alarm	A14 BYPASS WR SEQ
Description	The phase rotation of the bypass line is wrong.
Possible causes	<ul style="list-style-type: none"> ➤ Wrong connection of power cables.
Solutions	<ol style="list-style-type: none"> 1. Check the phase rotation. 2. If the alarm persists, contact our Technical Support Service.

Alarm	A15 BYPASS FAULT
Description	The voltage or frequency of the bypass line are out of tolerance.
Possible causes	<ul style="list-style-type: none"> ➤ Bypass line instability or failure. ➤ Wrong phase rotation.
Solutions	<ol style="list-style-type: none"> 1. Check the connections to the mains. 2. Check the stability of mains voltage. 3. If the alarm persists, contact our Technical Support Service.

Alarm	A16 BYPASS --> LOAD
Description	The load is fed by the bypass line.
Possible causes	<ul style="list-style-type: none"> ➤ Temporary changeover due to inverter failure.
Solutions	<ol style="list-style-type: none"> 1. Verify the inverter status and check whether other alarms are present. 2. If the alarm persists, contact our Technical Support Service.

Alarm	A17 RETRANSFER BLOCK
Description	The load is blocked on the bypass line.
Possible causes	<ul style="list-style-type: none"> ➤ Very frequent changeovers due to load in-rush currents. ➤ Static switch problems.
Solutions	<ol style="list-style-type: none"> 1. Reset the system. 2. Check the in-rush currents of the loads. 3. If the alarm persists, contact our Technical Support Service.

Alarm	A18 MBCB CLOSED
Description	The manual bypass isolator is closed.
Possible causes	<ul style="list-style-type: none"> ➤ Manual bypass isolator closed.
Solutions	<ol style="list-style-type: none"> 1. Check the status of the manual bypass isolator. 2. Check the functionality of the auxiliary contact of the isolator. 3. If the alarm persists, contact our Technical Support Service.

Alarm	A19 OCB OPEN
Description	The output isolator is open.
Possible causes	<ul style="list-style-type: none"> ➤ Output isolator open.
Solutions	<ol style="list-style-type: none"> 1. Check the status of the output isolator. 2. Check the functionality of the auxiliary contact of the isolator. 3. If the alarm persists, contact our Technical Support Service.

Alarm	A20 OVERLOAD
Description	The current sensor has detected an overload at the output. If the alarm persists, the thermal image protection will be activated (alarm A21).
Possible causes	<ul style="list-style-type: none"> ➤ Output overload. ➤ Measuring circuit failure.
Solutions	<ol style="list-style-type: none"> 1. Check the loads connected to the UPS output. 2. Contact our Technical Support Service.

Alarm	A21 THERMAL IMAGE
Description	The thermal image protection has been activated after an extended inverter overload. The inverter is shut down for 30 minutes and then restarted.
Possible causes	<ul style="list-style-type: none"> ➤ Output overload. ➤ Measuring circuit failure.
Solutions	<ol style="list-style-type: none"> 1. Check the loads connected to the UPS output. 2. Should you need to restore the inverter supply immediately, reset the system. 3. If the alarm persists, contact our Technical Support Service.

Alarm	A22 BYPASS SWITCH
Description	The "Normal/Bypass" selector has been operated.
Possible causes	<ul style="list-style-type: none"> ➤ Maintenance operation.
Solutions	<ol style="list-style-type: none"> 1. Check the selector position. 2. If the alarm persists, contact our Technical Support Service.

Alarm	A23 EPO PRESSED
Description	The system is blocked due to the activation of the emergency power off button.
Possible causes	<ul style="list-style-type: none"> ➤ Activation of the (local or remote) emergency power off button.
Solutions	<ol style="list-style-type: none"> 1. Release the emergency power off button and reset the alarm. 2. If the alarm persists, contact our Technical Support Service.

Alarm	A24 HIGH TEMPERATURE
Description	High temperature of the heat sink on the inverter bridge or tripping of the DC fuses which protect the inverter bridge.
Possible causes	<ul style="list-style-type: none"> ➤ Fault of the heat sink cooling fans. ➤ The room temperature or cooling air temperature is too high. ➤ Tripping of the DC protection fuses.
Solutions	<ol style="list-style-type: none"> 1. Check the fans operation. 2. Clean the ventilation grids and the air filters, if any. 3. Check the air conditioning system (if present). 4. Check the status of the DC fuses on the inverter bridge input. 5. If the alarm persists, contact our Technical Support Service.

Alarm	A25 INVERTER OFF
Description	The inverter is blocked due an operation failure.
Possible causes	➤ Various.
Solutions	<ol style="list-style-type: none"> 1. Reset the system. 2. If the alarm persists, contact our Technical Support Service.

Alarm	A26 COMMUNIC ERROR
Description	Internal error.
Possible causes	➤ Microcontroller communication problems.
Solutions	<ol style="list-style-type: none"> 1. If the alarm persists, contact our Technical Support Service.

Alarm	A27 EEPROM ERROR
Description	The controller has detected an error in the parameters stored in EEPROM.
Possible causes	➤ Wrong parameters entered during programming.
Solutions	<ol style="list-style-type: none"> 1. Contact our Technical Support Service.

Alarm	A28 CRITICAL FAULT
Description	An alarm has been activated which causes the shutdown of part of the UPS (rectifier, inverter, static switch).
Possible causes	➤ System failure.
Solutions	<ol style="list-style-type: none"> 1. Check which alarms are present and carry out the indicated procedures. 2. If the alarm persists, contact our Technical Support Service.

Alarm	A29 MAINTENANCE REQ
Description	It is necessary to carry out maintenance work.
Possible causes	➤ The time limit since the last maintenance work has elapsed.
Solutions	<ol style="list-style-type: none"> 1. Contact our Technical Support Service.

Alarm	A30 COMMON ALARM
Description	Common alarm.
Possible causes	➤ At least one alarm is present.
Solutions	1. Check which alarms are present and carry out the indicated procedures.

Alarm	A31 MBCB BUS CLOSED
Description	The manual bypass isolator is closed.
Possible causes	➤ Manual bypass isolator closed.
Solutions	1. Check the status of the manual bypass isolator. 2. Check the functionality of the auxiliary contact of the isolator. 3. If the alarm persists, contact our Technical Support Service.

Alarm	A32 EPO BUS CLOSED
Description	The system is blocked due to the activation of the emergency power off button.
Possible causes	➤ Activation of the (local or remote) emergency power off button.
Solutions	1. Release the emergency power off button and reset the alarm. 2. If the alarm persists, contact our Technical Support Service.

Alarm	A33 ASYMMETRIC LOAD
Description	The positive and negative voltages measured on the DC capacitors towards the middle point are different.
Possible causes	➤ Possible failure on the measuring circuit. ➤ Possible fault of DC capacitors.
Solutions	1. Reset the system. 2. If the alarm persists, contact our Technical Support Service.

Alarm	A34 SERVICE REQUIRED
Description	A UPS check is necessary.
Possible causes	➤ Possible UPS fault.
Solutions	1. If the alarm persists, contact our Technical Support Service.

Alarm	A35 DIESEL MODE
Description	The UPS is supplied by the diesel generator.
Possible causes	➤ The auxiliary contact which activates the diesel generator connected to the UPS is closed, and imposes this operating mode.
Solutions	<ol style="list-style-type: none"> 1. Wait for the diesel generator to stop as soon as the mains voltage is restored. 2. Check the connection of the auxiliary contact which signals the diesel generator start, to terminals XD1/XD2. 3. If the alarm persists, contact our Technical Support Service.

Alarm	A36 DC FASTSHUTDOWN
Description	Inverter shutdown due to the operation of the protection sensor as a result of sudden DC voltage variations.
Possible causes	➤ Battery fault.
Solutions	<ol style="list-style-type: none"> 1. Check the battery. 2. Reset the system. 3. If the alarm persists, contact our Technical Support Service.

Alarm	A38 INV --> LOAD
Description	The load is fed by the inverter. This alarm is active for UPS systems in "ECO" mode, where the preferential supply is from the bypass line.
Possible causes	➤ Temporary changeover due to bypass line failure.
Solutions	<ol style="list-style-type: none"> 1. Verify the status of the bypass line and check whether other alarms are present. 2. If the alarm persists, contact our Technical Support Service.

Alarm	A39 INV ERROR LOOP
Description	The control is not able to regulate the inverter voltage precisely.
Possible causes	➤ Regulation system failure.
Solutions	<ol style="list-style-type: none"> 1. Reset the system. 2. If the alarm persists, contact our Technical Support Service.

Alarm	A40 SSI FAULT
Description	The system has detected a failure in the static inverter switch.
Possible causes	<ul style="list-style-type: none"> ➤ Possible problems on the loads. ➤ Static switch fault.
Solutions	<ol style="list-style-type: none"> 1. Check the absorption of the loads and the presence of DC components, if any, on AC current. 2. If the alarm persists, contact our Technical Support Service.

Alarm	A41 RECT ERROR LOOP
Description	The control is not able to regulate the rectifier output voltage precisely.
Possible causes	<ul style="list-style-type: none"> ➤ Regulation system failure.
Solutions	<ol style="list-style-type: none"> 1. Reset the system. 2. If the alarm persists, contact our Technical Support Service.

Alarm	A44 DESATURATION (NOT AVAILABLE)
Description	The inverter is blocked due to the operation of the desaturation sensor of the IGBT drivers.
Possible causes	<ul style="list-style-type: none"> ➤ Inverter bridge fault.
Solutions	<ol style="list-style-type: none"> 1. Reset the system. 2. If the alarm persists, contact our Technical Support Service.

Alarm	A45 HIGH TEMPERATURE SSW
Description	High temperature of the heat sink on the static switch.
Possible causes	<ul style="list-style-type: none"> ➤ Fault of the heat sink cooling fans. ➤ The room temperature or cooling air temperature is too high.
Solutions	<ol style="list-style-type: none"> 1. Check the fans operation. 2. Clean the ventilation grids and the air filters, if any. 3. Check the air conditioning system (if present). 4. If the alarm persists, contact our Technical Support Service.

Alarm	A46 PAR LOST REDUND
Description	This alarm is only active on PARALLEL systems. Continuity is not ensured in the event of a fault on one of the UPS units.
Possible causes	<ul style="list-style-type: none"> ➤ The total load is higher than the maximum expected value. ➤ Possible failure on the measuring circuit.
Solutions	<ol style="list-style-type: none"> 1. Check the load fed by the system. 2. If the alarm persists, contact our Technical Support Service.

Alarm	A47 SEND PARAM ERROR
Description	Internal error.
Possible causes	<ul style="list-style-type: none"> ➤ Microcontroller communication problems.
Solutions	<ol style="list-style-type: none"> 1. Contact our Technical Support Service.

Alarm	A48 RCV PARAM ERROR
Description	Internal error.
Possible causes	<ul style="list-style-type: none"> ➤ Microcontroller communication problems.
Solutions	<ol style="list-style-type: none"> 1. Contact our Technical Support Service.

Alarm	A49 TEST MODE ERROR
Description	Internal error.
Possible causes	<ul style="list-style-type: none"> ➤ Microcontroller communication problems.
Solutions	<ol style="list-style-type: none"> 1. Contact our Technical Support Service.

Alarm	A51 BATT TEMPERATURE
Description	The battery temperature is out of tolerance. This alarm is only active when the temperature probe is installed and enabled on the battery.
Possible causes	<ul style="list-style-type: none"> ➤ Anomalous temperature in the battery cabinet. ➤ Possible failure on the measuring circuit.
Solutions	<ol style="list-style-type: none"> 1. Check the temperature on the batteries and remove the cause of the alarm, if any. 2. If the alarm persists, contact our Technical Support Service.

Alarm	A53 FIRMWARE ERROR
Description	The controller has detected an incompatibility in the control software.
Possible causes	<ul style="list-style-type: none"> ➤ The software update was not performed properly.
Solutions	<ol style="list-style-type: none"> 1. Contact our Technical Support Service.

Alarm	A54 CAN ERROR
Description	Internal error.
Possible causes	<ul style="list-style-type: none"> ➤ Microcontroller communication problems.
Solutions	<ol style="list-style-type: none"> 1. Contact our Technical Support Service.

Alarm	A55 PAR CABLE DISC
Description	Parallel cable doesn't communicate.
Possible causes	<ul style="list-style-type: none"> ➤ Parallel cable disconnected or damaged.
Solutions	<ol style="list-style-type: none"> 1. Check the connection of cable 2. Contact our Technical Support Service.

Alarm	A56 MAINS UNBALANCE
Description	The rectifier input voltage is unbalanced.
Possible causes	<ul style="list-style-type: none"> ➤ Problems on the LV or MV distribution network ➤ Defect of the measuring circuit
Solutions	<ol style="list-style-type: none"> 1. Check the input voltage 2. Contact our Technical Support Service.

Alarm	A59 BACKFEED RELAY ON
Description	The backfeed protection has been activated. Alarms present only in the history log.
Possible causes	<ul style="list-style-type: none"> ➤ Problems on the bypass static switch
Solutions	<ol style="list-style-type: none"> 1. Check the static switch thyristors 2. Contact our Technical Support Service.

Alarm	A61 LOSS OF REDUNDANT POWER SUPPLY
Description	Failure of the redundant auxiliary power supply .
Possible causes	<ul style="list-style-type: none"> ➤ Internal fault.
Solutions	<ol style="list-style-type: none"> 1. Contact our Technical Support Service.

Alarm	A62 MAINS OVERVOLTAGE
Description	Sudden increase of the AC input voltage (fast sensor)
Possible causes	<ul style="list-style-type: none"> ➤ Voltage spike on the AC mains. ➤ Possible internal fault.
Solutions	<ol style="list-style-type: none"> 1. Check the mains voltage. 2. If the alarm persists, contact our Technical Support Service.

Alarm	A63 START SEQ BLOCK
Description	During the UPS start-up a failure prevented the proper execution of the sequence.
Possible causes	<ul style="list-style-type: none"> ➤ Control devices in wrong position or operated improperly. ➤ Possible internal fault.
Solutions	<ol style="list-style-type: none"> 1. Make sure the position of the control devices (isolators, selectors) is as specified in the procedures (see "Installation and start-up" section). 2. If the alarm persists, contact our Technical Support Service.

Alarm	A64 MAINS UNDERVOLTAGE
Description	Sudden drop of the AC input voltage (fast sensor)
Possible causes	<ul style="list-style-type: none"> ➤ Voltage drop on the AC mains (brown-out). ➤ Possible internal fault.
Solutions	<ol style="list-style-type: none"> 1. Check the mains voltage. 2. If the alarm persists, contact our Technical Support Service.

LANGUE FRANÇAIS

1 PORTÉE

Les instructions contenues dans ce manuel d'utilisateur s'appliquent aux systèmes d'alimentation sans coupure (UPS) énoncés ci-après.

- *BSP06* KEOR HPE 200 kVA
- *BS002* KEOR HPE 250 kVA
- *BSS88* KEOR HPE 300 kVA



Documentation à mettre en réserve

Ce manuel et toute autre documentation d'appui technique relative au produit doivent être entreposés et rendus accessibles au personnel dans le voisinage immédiat de l'UPS.



Informations complémentaires

Dans le cas où les informations fournies dans ce manuel ne sont pas suffisamment exhaustives, veuillez contacter le fabricant de l'appareil, dont les détails sont disponibles dans la section « Contacts ».

2 RÈGLES DE SÉCURITÉ ET AVERTISSEMENTS



Risque de blessure dû à un choc électrique !

Respectez toujours toutes les consignes de sécurité et, en particulier :

- tout travail sur l'unité doit être effectué par un personnel qualifié ;
- les composants internes ne peuvent être accessibles qu'après avoir débranché l'appareil à partir de sources d'alimentation ;
- toujours utiliser les dispositifs de protection conçus pour chaque type d'activité ;
- les instructions contenues dans les manuels doivent être strictement suivies.



Risque de blessure dû à une panne du dispositif

Des situations potentiellement dangereuses peuvent survenir en cas de panne de l'alimentation sans coupure (UPS).

- Ne pas utiliser l'appareil si visiblement endommagé.
- Faire l'entretien de l'appareil régulièrement pour identifier la panne possible.



Domage du dispositif possible

Chaque fois que le travail est effectué sur l'appareil, s'assurer que toutes les mesures sont prises afin d'éviter les décharges électrostatiques qui pourraient endommager les composants électroniques du système.



Lire la documentation technique

Avant d'installer et d'utiliser l'appareil, s'assurer d'avoir lu et compris toutes les instructions contenues dans le présent manuel et dans la documentation technique à l'appui.

3 DESCRIPTION GÉNÉRALE DE L'ALIMENTATION SANS COUPURE (UPS)

3.1 TYPOLOGIE

L'UPS décrite dans ce manuel est en ligne, à double conversion ; l'onduleur inclus dans l'unité d'alimentation sans coupure (UPS) alimente toujours l'énergie à la charge, si le réseau est disponible ou non (selon le temps d'autonomie de la batterie).

Cette configuration garantit le meilleur service à l'utilisateur, car il fournit une énergie propre sans interruption, assurant la tension et la stabilisation de fréquence à la valeur nominale. Grâce à la double conversion, il rend la charge complètement à l'abri des microcoupures et des variations de secteur excessives, et évite d'endommager les charges critiques (Ordinateur - Instrumentation - Matériel scientifique, etc.).



Tension de sortie présente

La ligne connectée à la sortie du système UPS est sous tension même en cas de panne de courant, donc en conformité avec les prescriptions de l'IEC EN62040-1-2, l'installateur devra identifier la ligne ou les fiches fournies par les unités d'alimentation sans coupure en rendant l'utilisateur conscient de ce fait.

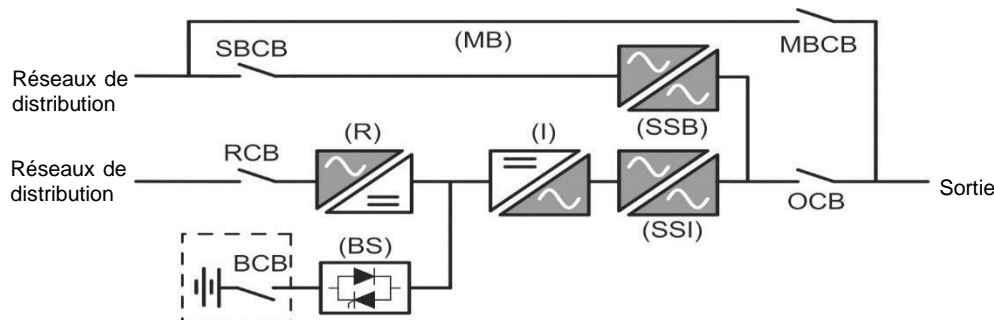


Image 1 – Schéma fonctionnel

Le système d'alimentation sans coupure (UPS) et la technologie du transistor bipolaire à porte isolée (IGBT) avec une fréquence élevée de commutation de façon à permettre une faible distorsion du courant réinjecté dans la ligne d'alimentation, ainsi qu'une qualité et stabilité élevées de la tension de sortie de courant. Les composants utilisés garantissent une haute fiabilité, une très haute facilité de rendement et d'entretien.

3.2 DESCRIPTION DU SYSTÈME

3.2.1 Redresseur

Il convertit la tension triphasée utilisable sur secteur en tension continue.

Il utilise un pont IGBT triphasé entièrement contrôlée avec une faible absorption harmonique.

L'unité électronique de commande utilise un 32 bits μ P de dernière génération qui permet de réduire la distorsion du courant absorbé par le réseau (THDi) à moins de 3 %. Cela garantit que le redresseur ne fausse pas le réseau d'alimentation, en ce qui concerne les autres charges. Il évite également la surchauffe du câble due à la circulation d'harmoniques.

Le redresseur est dimensionné de manière à fournir l'onduleur à pleine charge et la batterie au courant de charge maximale.

3.2.2 Onduleur

Il convertit la tension directe provenant du redresseur ou de la batterie en courant continu en tension alternative stabilisée en amplitude et en fréquence.

L'onduleur utilise un pont de conversion à 3 niveaux avec la technologie IGBT afin de fonctionner avec une fréquence de commutation élevée d'environ 8 kHz.

L'électronique de commande utilise un 32 bits μ P de dernière génération qui, grâce à sa capacité de traitement, génère une excellente sortie sinusoïdale.

En outre, la commande entièrement numérique de la sortie d'onde sinusoïdale permet d'atteindre des performances élevées, parmi lesquelles une distorsion de tension très faible, même en présence de charges élevées des effets de distorsion.

3.2.3 Batterie et chargeur de batterie

La batterie est installée en dehors de l'unité d'alimentation sans coupure (UPS). Elle est généralement installée dans une armoire de batterie externe.

La logique de chargeur de batterie est complètement intégrée dans l'électronique de commande du redresseur.

La batterie est chargée, selon la norme DIN 41773, chaque fois qu'elle a été partiellement ou complètement déchargée. Lorsque sa pleine capacité est restaurée, elle est débranchée de la barre omnibus pour courant continu au moyen d'un commutateur statique afin d'économiser l'énergie, réduire la contrainte due à l'ondulation du courant alternatif augmentant ainsi la durée de vie. Ce mode de fonctionnement s'appelle la *Conversion écologique*.

Elle est toutefois régulièrement chargée mais l'état prévalant est en repos complet.

3.2.4 Commutateur de dérivation statique

La dérivation statique permet de transférer la charge entre l'onduleur et les circuits principaux d'urgence, et vice-versa, dans un temps très court, et utilise les éléments de puissance de commutation SCR.

3.2.5 Commutateur de dérivation manuelle

La dérivation manuelle est utilisée pour couper complètement l'onduleur, qui alimente la charge directement sur le secteur d'entrée en cas de maintenance ou de manquement grave.



Suivre les procédures contenues dans le manuel

La séquence de commutation de dérivation manuelle et le retour doit être effectué conformément à la procédure indiquée dans la section installation et démarrage. Le fabricant n'est pas responsable pour les dommages résultant d'une utilisation erronée.



Déviations manuelles externes

Dans le système d'unité d'alimentation sans coupure (UPS), le sectionneur de la dérivation manuelle est facultatif et à l'extérieur de l'unité.

3.3 ÉTAT D'EXPLOITATION

L'UPS a cinq modes de fonctionnement différents, ils sont décrits ci-dessous :

- Fonctionnement normal
- Conversion écologique
- Fonctionnement en dérivation
- Fonctionnement en batterie
- Commutateur de dérivation manuelle

3.3.1 Fonctionnement normal

Pendant le fonctionnement normal tous les disjoncteurs/sectionneurs sont fermés, sauf pour MCB (dérivation de maintenance).

Le redresseur est alimenté par la tension d'entrée en courant alternatif triphasé qui, à son tour, alimente l'onduleur et compense la tension du réseau de distribution ainsi que les variations de charge, en maintenant constante la tension continue. En même temps, il permet le chargement de la batterie. L'onduleur convertit la tension de courant continu en un courant alternatif en régime sinusoïdal avec fréquence et courant stabilisé, et alimente également la charge par l'intermédiaire de son commutateur statique SSI.

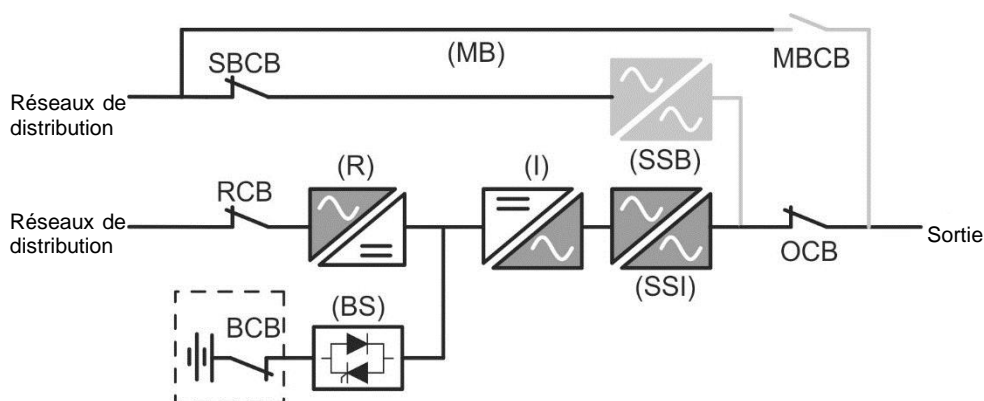


Image 2 – Fonctionnement normal

3.3.2 Conversion écologique

Lors du fonctionnement en mode *Conversion écologique*, la batterie est débranchée de l'omnibus à CC au moyen d'un commutateur statique (voir l'image) et le redresseur fonctionne à une tension CC réduite ; un algorithme de contrôle permet de régulièrement rebrancher la batterie à des fins de recharge (chargement intermittent).

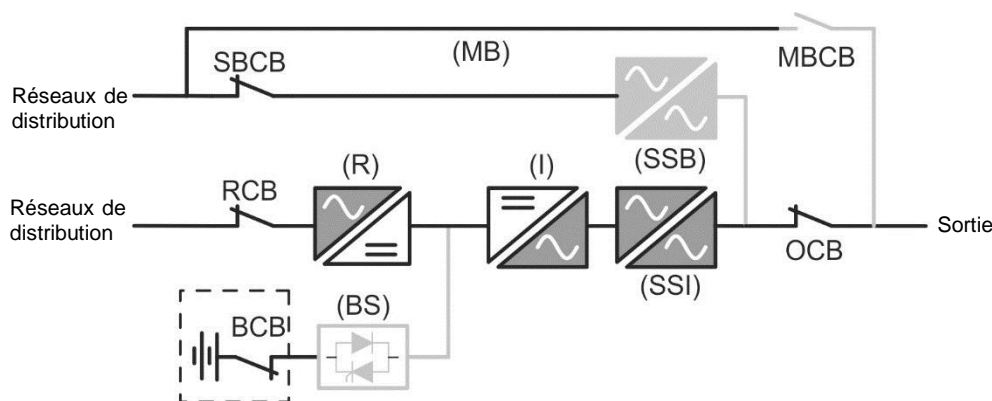


Image 3 – Conversion écologique

Lorsque l'algorithme *Conversion écologique* est activé, le redresseur fonctionne à une tension CC réduite et alimente l'onduleur seul, puisque la batterie est déconnectée de l'omnibus à CC. La charge de la batterie est contrôlée par un algorithme spécifique. Si aucun événement de coupure des réseaux de distribution ne s'est produit, et donc, aucune décharge de batterie n'est également survenue, la logique de contrôle permet de démarrer le cycle de chargement une fois tous les 25 jours. Le chargeur-batterie restaure la capacité perdue due au chargement autonome et reste en charge flottante pendant 12 heures de plus. Tandis que ce temps s'est écoulé, le commutateur statique de la batterie s'est ouvert et la batterie est débranchée de l'omnibus à CC.

Si un événement de décharge survient, la logique de contrôle permet de calculer la capacité qui n'a pas été perdue lors de la décharge ; alors que les réseaux de distribution sont restaurés, un cycle de chargement est démarré, qui est prolongé pendant un temps supplémentaire qui dépend du pourcentage de capacité perdue, se référant à la valeur nominale.

- Capacité perdue < 10 % → Charge supplémentaire pendant **12 heures**
- Capacité perdue entre 10 % et 20 % → Charge supplémentaire pendant **48 heures**
- Capacité perdue > 20 % → Charge supplémentaire pendant **96 heures**

Ces valeurs se conforment aux recommandations des fabricants de la batterie principale.



Définir la bonne capacité de la batterie

Le panneau frontal de l'UPS permet de régler les paramètres de la batterie, comprenant la capacité nominale. En tenant compte de l'importance que cette valeur assume la bonne exécution de l'algorithme de contrôle de la charge, il est fortement recommandé de vérifier l'exactitude de la valeur programmée.

3.3.3 Fonctionnement en dérivation

La charge peut être commutée pour contourner manuellement ou automatiquement. Le passage manuel est dû à l'INTERRUPTEUR DE DÉRIVATION qui force la charge à contourner. En cas de défaillance de la ligne de dérivation, la charge est ramenée au mode onduleur sans interruption.

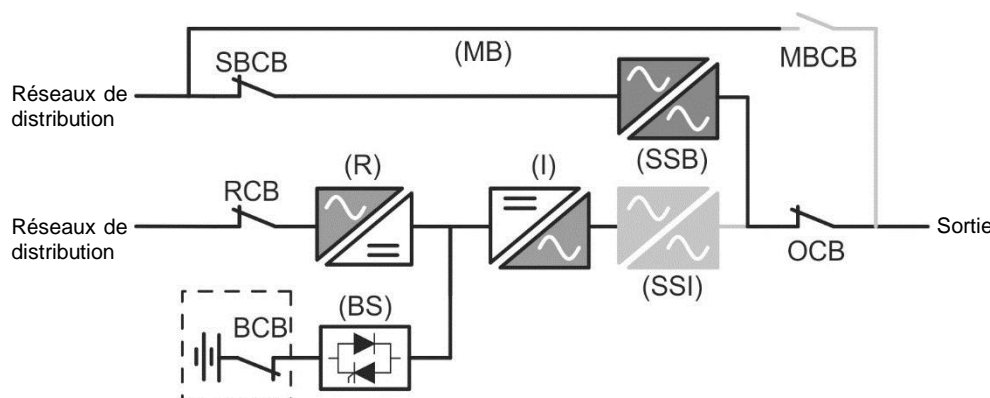


Image 4 – Charge fournie par la dérivation

3.3.4 Fonctionnement en batterie

En cas de panne de courant ou de dysfonctionnement du redresseur, la batterie alimente l'onduleur sans interruption. La tension de la batterie chute selon l'amplitude du courant de décharge. La chute de tension n'a pas d'effet sur la tension de sortie, qui est maintenue

constante par modification de la modulation PWM. Une alarme est activée lorsque la batterie est proche de la valeur de débit minimum.

Dans le cas où l'alimentation est rétablie avant que la batterie ne soit complètement déchargée, le système sera mis en mode normal automatiquement. Dans le cas contraire, l'onduleur s'arrête et la charge est commutée sur la ligne de dérivation (fonctionnement manuel). Si la ligne de dérivation n'est pas disponible ou est hors de tolérance, l'alimentation des charges est interrompue dès que la batterie atteint le seuil limite de décharge (*interruption*).

Dès que l'alimentation est rétablie, le redresseur rechargera la batterie. Dans la configuration standard, les charges sont alimentées à nouveau à travers l'interrupteur statique SSB lorsque les réseaux de distribution sont de nouveau disponibles. L'onduleur est redémarré lorsque la batterie a partiellement restauré sa capacité.

Le redémarrage du système à partir de la condition d'interruption peut être personnalisé selon les exigences de l'installation, en trois modes différents :

- Les charges de dérivation → sont fournies dès que la ligne de dérivation est disponible (configuration à l'usine).
- Les charges de l'onduleur → sont fournies par l'onduleur (même si la ligne de dérivation est disponible) lorsque la tension de la batterie a atteint le seuil programmé, après le redémarrage du redresseur.
- L'onduleur manuel → l'alimentation de sortie N'EST PAS redémarrée automatiquement. Le système nécessite une confirmation pour redémarrer qui peut uniquement être faite manuellement par l'utilisateur au moyen du panneau avant.

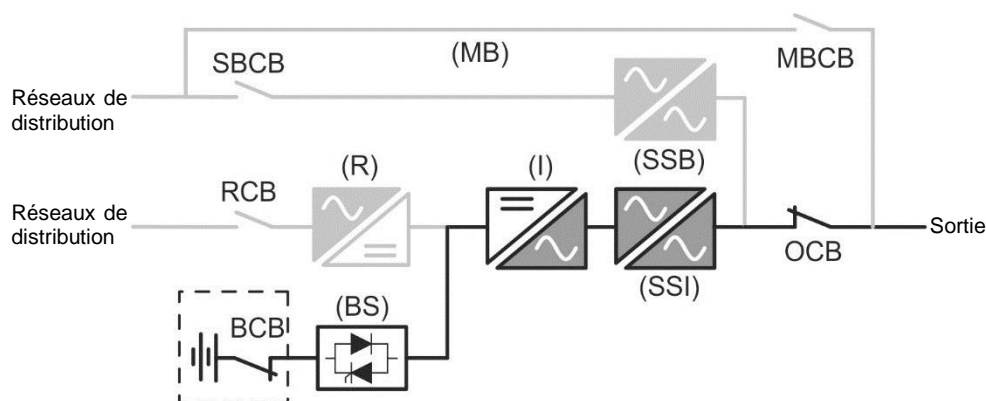


Image 5 – Fonctionnement de la batterie

3.3.5 Commutateur de dérivation manuelle

L'opération de dérivation manuelle est nécessaire chaque fois que la fonctionnalité de l'unité d'alimentation sans coupure (UPS) est testée, ou lors de l'entretien ou de la réparation.

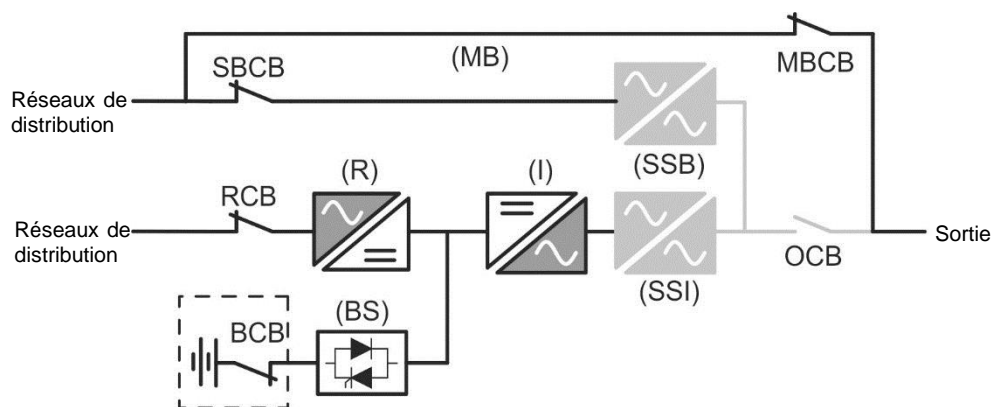


Image 6 – Dérivation manuelle pour les vérifications fonctionnelles



Suivre les procédures contenues dans le manuel

La séquence de commutation de dérivation manuelle et le retour doit être effectué conformément à la procédure indiquée dans la section installation et démarrage. Le fabricant n'est pas responsable pour les dommages résultant d'une utilisation erronée.



Câblage des contacts auxiliaires

Réalisez une installation électrique adaptée en branchant les contacts auxiliaires des sectionneurs de dérivation manuelle et de sortie aux bornes dédiées à bord de l'UPS. Ceci permettra à la logique de contrôle d'acquies l'état des commutateurs et de guider l'opérateur lors des procédures de démarrage et de dérivation manuelle.

Pour plus de renseignements, reportez-vous à la partie « Installation et démarrage ».

Lors de la dérivation manuelle due à la réparation ou à l'entretien, l'UPS est complètement arrêtée et la charge est directement fournie par la ligne de dérivation.

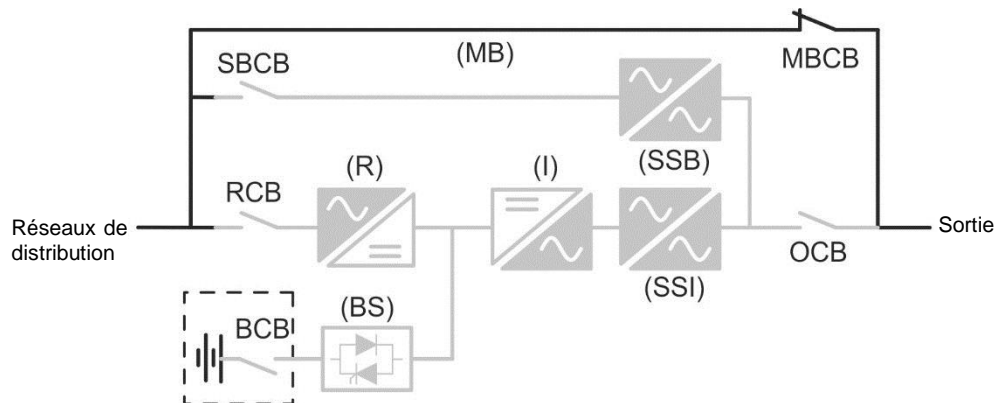


Image 7 – Dérivation manuelle pour travaux de réparation ou d'entretien

3.4 DISPOSITIFS DE FONCTIONNEMENT ET DE CONTRÔLE

Les dispositifs de contrôle et de gestion de l'unité d'alimentation sans coupure sont indiqués ci-dessous :

- Sectionneur sur l'entrée du redresseur (RCB)
- Sectionneur sur l'entrée de la dérivation (SBCB)
- Sectionneur sur la sortie de l'unité d'alimentation sans coupure UPS (OCB)
- Sectionneur de dérivation manuelle (MBCB)
- Sectionneur de batterie/disjoncteur (BCB) - Externe, à l'intérieur de l'armoire de batteries
- Bouton de mise hors tension d'urgence à distance (EPO)
- Sélecteur normal/de dérivation
- Panneau de commande écran tactile



Contrôler la formation du personnel

L'utilisation des appareils d'exploitation et de contrôle de l'unité d'alimentation sans coupure (UPS) s'adresse au personnel autorisé seulement. Nous recommandons de vérifier la formation du personnel chargé de l'utilisation et de la maintenance du système.

3.4.1 Isolateurs

Les sectionneurs prévus sur l'unité d'alimentation sans coupure (UPS) sont utilisés pour isoler les composantes d'alimentation du dispositif à partir de la ligne d'alimentation en courant alternatif, à partir de l'accumulateur électrique et des charges.



Tension présente sur les bornes

Les sectionneurs n'isolent pas complètement l'unité d'alimentation sans coupure (UPS), où la ligne à courant alternatif et des tensions de la batterie sont encore présents sur les bornes. Avant d'effectuer toute opération de maintenance sur l'unité :

- Isoler complètement l'appareil en actionnant les disjoncteurs externes ;
- Attendre au moins 5 minutes pour permettre aux condensateurs de se décharger.

3.4.2 Bouton de mise hors tension d'urgence (EPO)

Le bouton de mise hors tension d'urgence est utilisé pour déconnecter la sortie de l'unité d'alimentation sans coupure (UPS), immédiatement, interrompant la charge d'alimentation. Il ferme également l'onduleur.



Presser le bouton uniquement en cas d'urgence réelle

Les composantes du système sont soumises à une forte contrainte lorsque le bouton d'arrêt d'urgence bouton est pressé sous la présence de charge.

- Presser le bouton d'urgence uniquement en cas d'urgence réelle.



Réinitialisation de l'alimentation

Réinitialiser l'alimentation de sortie uniquement lorsque les causes qui ont conduit à l'arrêt d'urgence ont été éliminées et que vous êtes sûr qu'il n'y a aucun danger pour les personnes et les choses.

3.4.3 Sélecteur normal/de dérivation

Le sélecteur normal/de dérivation est installé à l'extérieur, à l'arrière de l'UPS. Il est généralement utilisé au cours de la procédure de dérivation manuelle, quand il est nécessaire d'isoler l'unité d'alimentation sans coupure (UPS) pour entretien ou réparation.



Suivre les procédures contenues dans le manuel

Le sélecteur normal/de dérivation ne doit être utilisé que conformément aux procédures spécifiées dans la section installation et démarrage. Le fabricant n'est pas responsable pour les dommages résultant d'une utilisation erronée.

3.4.4 Panneau d'affichage à cristaux liquide (ACL)

Le panneau de commande de l'unité d'alimentation sans coupure (UPS) est utilisé pour :

- Contrôler les paramètres d'exploitation sur le dispositif
- Contrôler les alarmes présentes
- Accéder au journal des tâches
- Afficher de l'information sur le dispositif
- Modifier les paramètres d'exploitation

Le menu qui permet de modifier les paramètres est protégé d'un mot de passe pour empêcher l'accès aux personnes non autorisées.

4 PANNEAU DE COMMANDE

Le panneau de commande UPS est un *écran tactile* de 10.1" qui dialogue avec la logique de contrôle du module E/S via un protocole en série. La page principale (**Accueil**) montre l'organigramme du système duquel toutes les variables de fonctionnement de l'UPS peuvent être affichées.

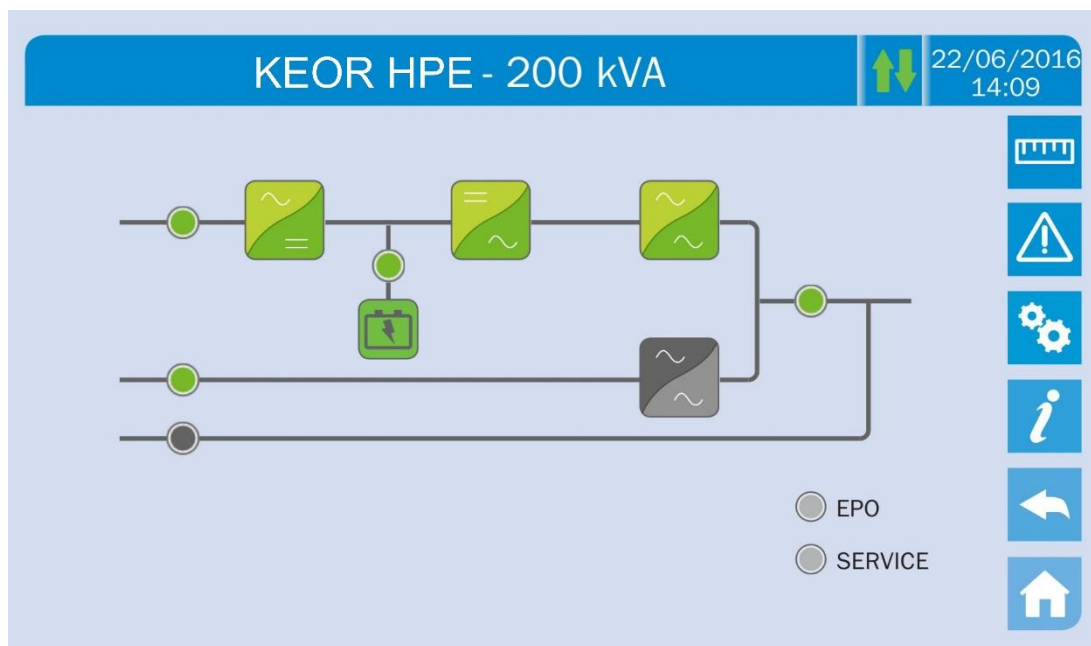


Image 8 – Panneau de commande UPS, page d'Accueil

4.1 ICÔNES

Le parcours des pages de l'écran tactile est possible par le biais de six icônes fournies à droite ; l'icône avec les flèches haut-bas contrôle la communication d'affichage.

Icône	Fonctions attribuées	
	<i>Mesures</i>	Entre dans la section <i>Mesures</i>
	<i>Alarmes</i>	Entre dans la section <i>Alarmes</i> et réinitialise l'avertisseur s'il est activé
	<i>Paramètres</i>	Entre dans la section <i>Paramètres</i>
	<i>Info</i>	Entre dans la section <i>Info</i>
	<i>Précédent</i>	Recule d'une page
	<i>Accueil</i>	Retourne à la page d' <i>Accueil</i>
	<i>Communication</i>	Contrôle la communication entre le panneau et les composants électroniques de l'UPS

4.1.1 Couleurs des icônes

Les icônes peuvent avoir différentes couleurs selon l'état de fonctionnement de l'UPS, les couleurs de base sont généralement :

- Bleu clair → Il indique que la section concerne l'UPS.
- Gris → Les touches deviennent grises (désactivées) lorsque la section spécifique clé est saisie.
- Rouge → La touche **Alarmes** passera au rouge en cas de survenance d'alarme.

En ce qui concerne l'icône *Communication*, elle devient rouge en cas d'erreur de communication entre l'écran *tactile* et la logique de contrôle UPS.

5 ÉCRAN TACTILE – GESTION DE L'UPS

Les paramètres de fonctionnement de l'UPS peuvent être gérés en saisissant les diverses sections du panneau de commande de la page d'Accueil directement.

5.1 AFFICHAGE DES MESURES

Appuyez sur l'icône *Mesures* pour entrer dans la page principale.

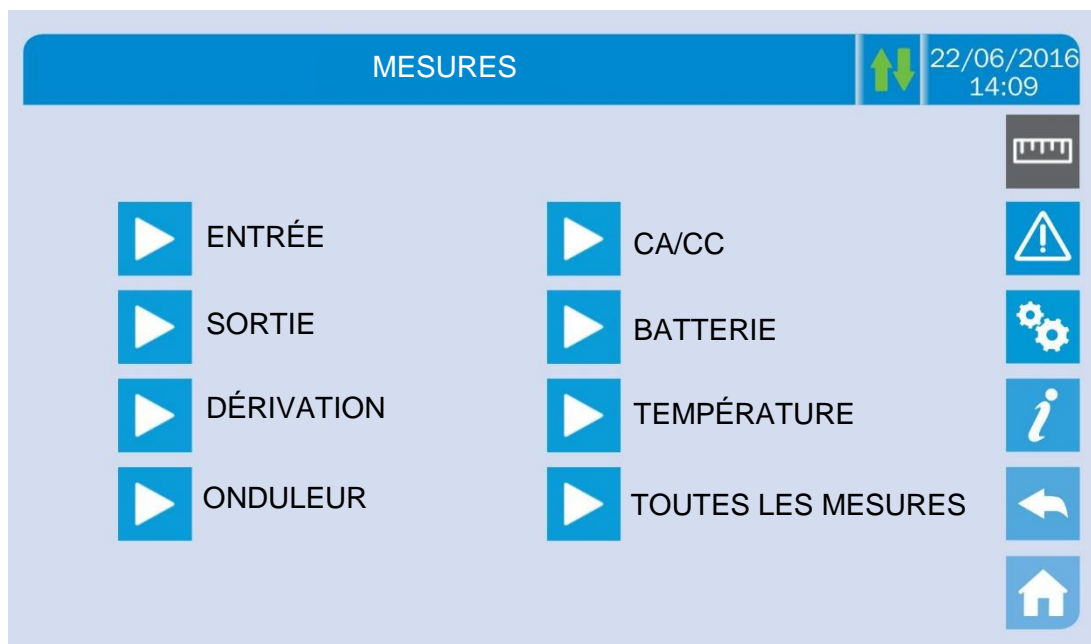


Image 9 – Section MESURES

La page des mesures d'une section spécifique de l'UPS est entrée en appuyant sur l'une des flèches. Une page de *Mesures* typique est indiquée ci-dessous.

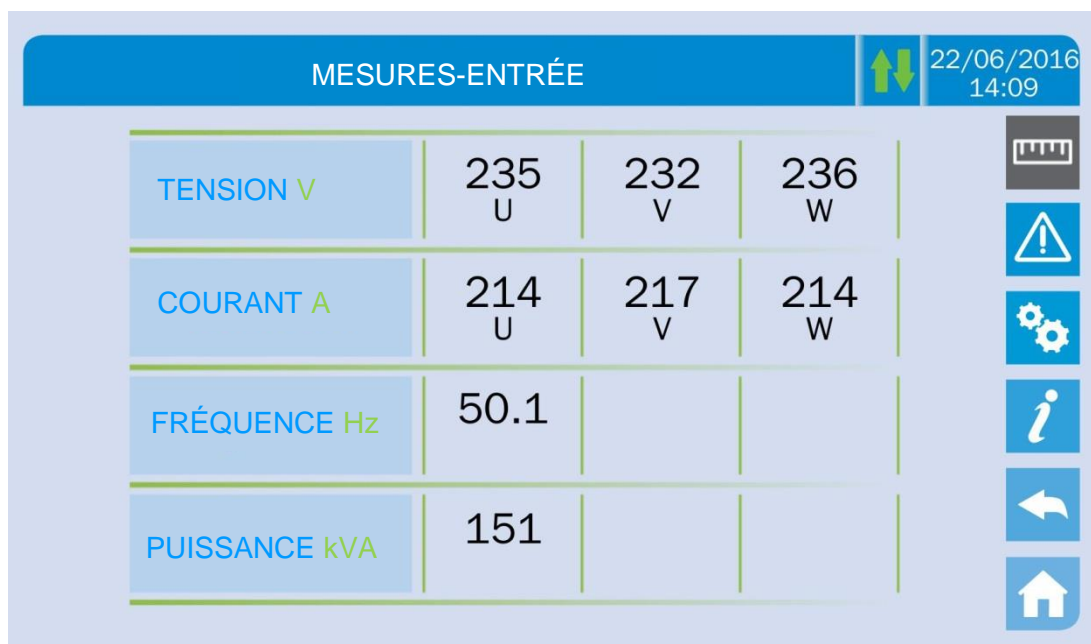


Image 10 – Page des mesures d'entrée

La liste de toutes les mesures disponibles est donnée ci-dessous.

Sous-page	Données affichées	Exactitude
ENTRÉE	Tension d'entrée du redresseur ⁽¹⁾	1 V
	Courant d'entrée du redresseur	1 A
	Fréquence	0,1 Hz
	Puissance d'entrée	1 kVA
SORTIE	Tension ⁽¹⁾	1 V
	Courant	1 A
	Pourcentage de charge	1 %
	Puissance active	1 kW
	Puissance apparente	1 kVA
	Fréquence	0,1 Hz
DÉRIVATION	Tension ⁽¹⁾	1 V
	Fréquence	0,1 Hz
ONDULEUR	Tension ⁽¹⁾	1 V
	Fréquence	0,1 Hz
CA/CC	Tension de sortie du redresseur	1 V
BATTERIE	Tension et courant	1 V/1 A
	Capacité nominale	1 Ah
	Autonomie résiduelle	1 min/1 %
TEMPÉRATURE ⁽²⁾	Batterie	0,1° C
	UPS	0,1° C

⁽¹⁾ Les mesures de la tension sont toujours données en référence à la valeur phase-à-neutre.

⁽²⁾ Les températures sont affichées seulement si la sonde correspondante est installée.

5.2 DIAGNOSTICS DE BASE

En appuyant sur l'icône *Alarmes*, vous ouvrirez la page où vous pouvez sélectionner soit l'état de fonctionnement de l'UPS ou soit le journal des historiques.

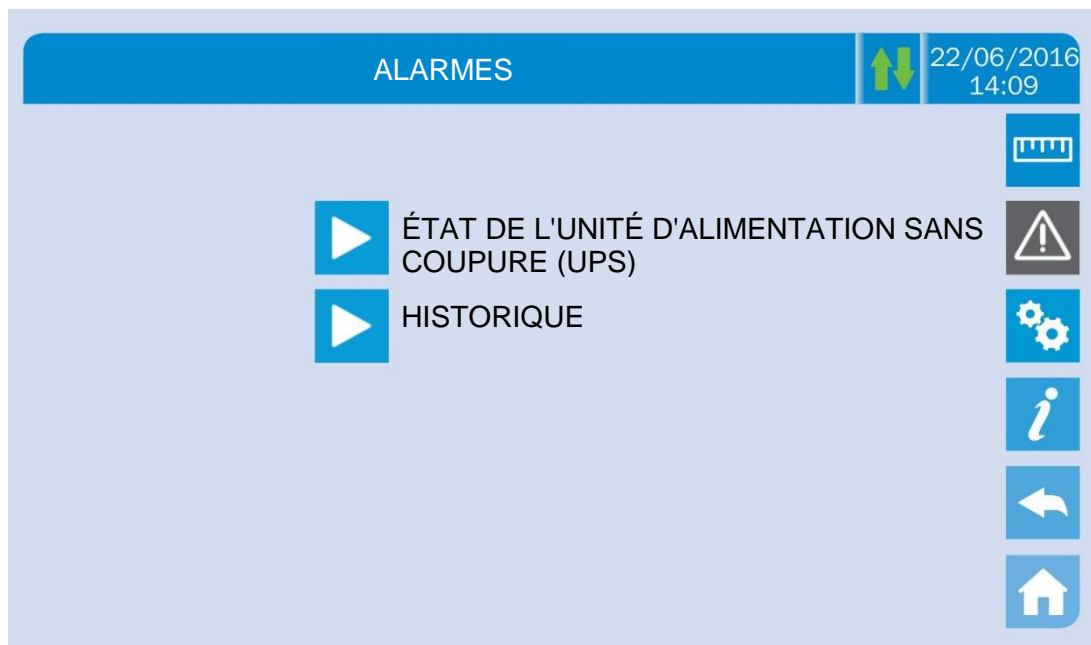


Image 11 – Section ALARMES

5.2.1 Affichage de l'état de fonctionnement

Appuyez sur *état UPS* pour afficher l'état de fonctionnement de l'UPS, qui comprend des alarmes actives possibles.

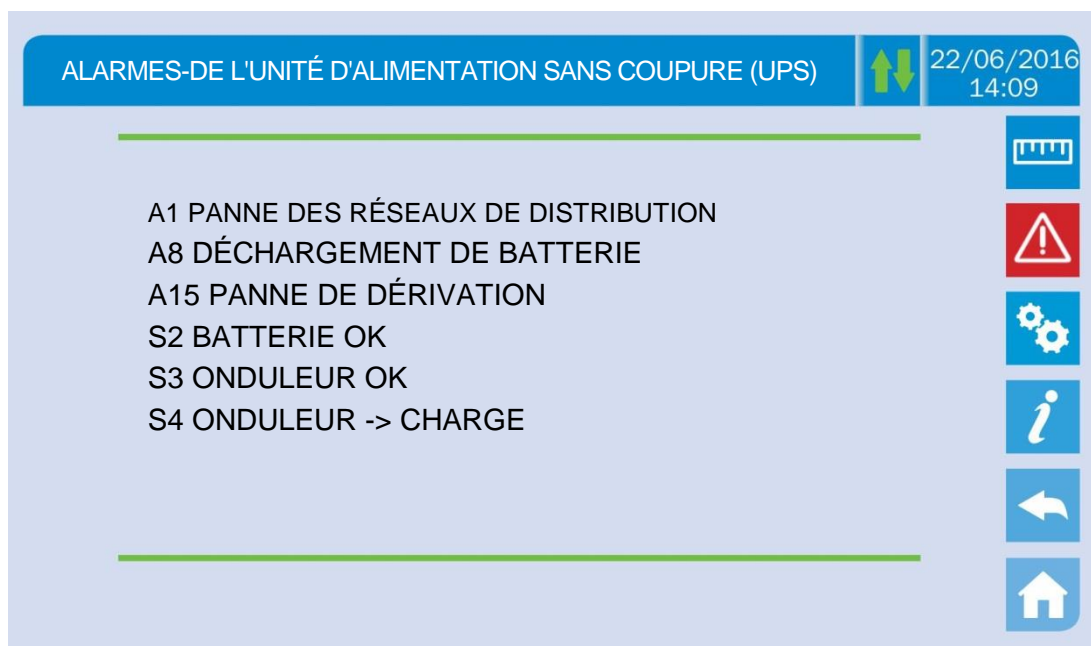







Image 12 – Section ALARMES

L'état du système actuel est indiqué ; si la liste est plus longue que la capacité de la page (8 lignes), elle peut être défilée en faisant glisser un doigt sur l'écran.

5.2.2 Couleurs des icônes

Les icônes *Alarmes* et *Accueil* prennent des couleurs différentes selon l'état de fonctionnement de l'UPS et la page affichée.

Icône	Couleur	Signification
	<i>Bleu clair</i> <i>Bleu foncé</i>	Pas d'alarmes actives
	<i>Gris</i>	Pas d'alarmes actives Une page de la section <i>Alarmes</i> est actuellement affichée.
	<i>Rouge</i>	Alarme active ; si l'alarme affecte l'un des modules, l'icône correspondante dans la page d' <i>Accueil</i> deviendra <i>Orange</i> ou <i>Rouge</i> .
	<i>Bleu clair</i>	Pas d'alarmes actives
	<i>Rouge</i>	Les alarmes actives dans le module E/S alors qu'une page de l'une des sections des modules électriques est actuellement affichée.

L'indicateur audible, si activé, permet d'afficher la défaillance survenue. L'alarme audible est interrompue en appuyant sur l'icône *Alarmes*.



Suppression automatique des alarmes

Si une alarme survient et que les états ensuite enregistrés n'existent plus, l'alarme sera automatiquement annulée et le système redémarré.

5.2.3 Affichage de l'historique des alarmes

ALARMES - HISTORIQUE
↕
22/06/2016
14:09

001	A8*	08:44:36	21/09/2014
002	A1*	08:44:21	21/09/2014
003	A15*	08:44:21	21/09/2014
004	A1	08:44:00	21/09/2014
005	A8	08:44:00	21/09/2014
006	A15	08:44:00	21/09/2014
007	A16*	22:20:22	02/09/2014

ENREGISTRER L'HISTORIQUE DANS LE FICHER














Image 13 – Journal des historiques, page 1

Le premier événement montré est le dernier dans l'ordre chronologique; un nouvel événement fait changer automatiquement de position tous les autres événements, en effaçant l'évènement le plus ancien.

Chaque ligne montre le numéro de l'événement (position dans la liste), le code d'alarme et la date et l'heure ; un astérisque indique la réinitialisation automatique de l'alarme.

Le nombre maximal d'événements qui peut être indiqué est égal à 250.

Le journal des événements peut être défilé en faisant glisser un doigt sur l'écran.

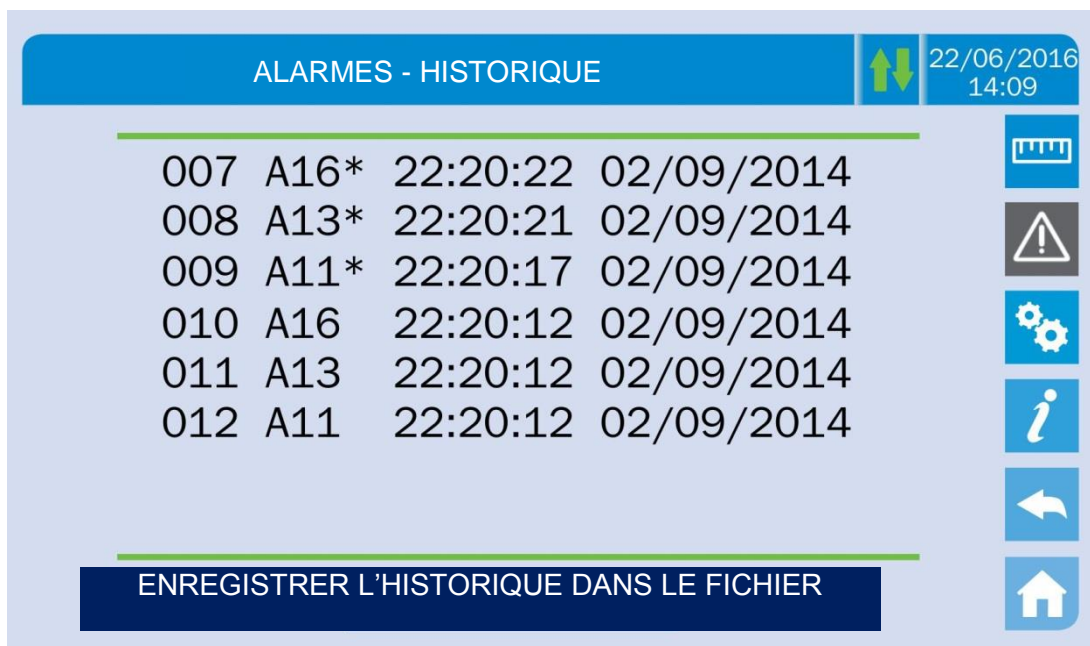


Image 14 – Journal des historiques, page 2

Si vous appuyez sur la touche *Enregistrer l'historique dans le fichier*, vous ouvrirez la page suivante.



Image 15 – Enregistrer le journal des historiques

L'écran tactile reconnaît automatiquement quand un support de mémoire externe (clé USB ou carte SD) est inséré(e), et change la couleur de l'icône correspondante de gris (désactivé) à bleu (activé).

Le fichier texte sera sauvegardé contenant les mêmes informations disponibles sur les pages *Historique*, accompagnées de la description de chaque événement.

5.2.4 Alarmes et état de fonctionnement

ALARMES

A1	PANNE DES RÉSEaux	A31	MBCB BUS FERMÉ
A2	MAUVAISE SÉQUENCE D'ENTRÉE	A32	EPO BUS FERMÉ
A3	SURVOLTEUR ARRÊTÉ	A33	CHARGE ASYMÉTRIQUE
A4	PANNE DU SURVOLTEUR	A34	SERVICE REQUIRED
A5	PANNE DE TENSION COURANT CONTINU	A35	MODE DIESEL
A6	BATTERIE EN TEST	A36	FERMETURE RAPIDE DU COURANT CONTINU
A7	BCB OUVERT	A38	OND --> CHARGE
A8	DÉCHARGEMENT DE LA BATTERIE	A39	OND ERREUR BOUCLE
A9	FIN BATTERIE AUT	A40	PANNE SSI
A10	PANNE DE LA BATTERIE	A41	REDR ERREUR BOUCLE
A11	COURT-CIRCUIT	A44	DESATURATION
A12	ARRÊT TEMPORISATION SC	A45	HAUTE TEMP SSW
A13	OND HORS TOLÉR	A46	PAR PERTE DE REDONDANCE
A14	DÉRIVATION WR SEQ	A47	ERREUR PARAMÈTRE ENVOYÉ
A15	PANNE DE DÉRIVATION	A48	ERREUR PARAMÈTRE RCV
A16	DÉRIVATION --> CHARGE	A49	TEST MODE ERREUR
A17	RETRANSFERT DU BLOC	A51	BATT TEMPÉRATURE
A18	MBCB FERMÉ	A52	BLOC ONDULEUR
A19	OCB OUVERT	A53	ERREUR FIRMWARE
A20	SURCHARGE	A54	ERREUR CAN
A21	IMAGE THERMIQUE	A55	PAR CÂBLE DISC
A22	COMMUTATEUR DE DÉRIVATION	A56	DÉSÉQUILIBRE DES RÉSEaux
A23	EPO PRESSÉ	A57	DÉSÉQUILIBRE COURANT D'ENTRÉE
A24	HAUTE TEMPÉRATURE	A58	DÉSÉQUILIBRE COURANT ONDULEUR
A25	ONDULEUR HORS CIRCUIT	A59	RÉALIMENTATION RELAIS ACTIVÉE
A26	ERREUR COMMUNIC	A61	PERTE DE PUISSANCE REDONDANTE
A27	ERREUR EEPROM	A62	SURTENSION DU RÉSEau
A28	PANNE CRITIQUE	A63	DÉMARRAGE SÉQ BLOC
A29	DEMANDE DE MAINTENANCE	A64	SOUS-TENSION DU RÉSEau
A30	ALARME COMMUNE		

ÉTATS

S1	SURVOLTEUR OK	S8	ONDULEUR MASTER SYNCHR.
S2	BATTERIE OK	S10	VEILLE REDRESSEUR
S3	ONDULEUR OK	S11	VEILLE ONDULEUR
S4	ONDULEUR --> CHARGE	S12	VEILLE BATT
S5	SYNC DÉRIVATION ONDULEUR	S14	BATT CHARGE I
S6	DÉRIVATION OK	S15	BATT CHARGE U
S7	DÉRIVATION --> CHARGE		



Affichage et mode d'enregistrement des alarmes

- Les états sont toujours affichés dans l'ordre croissant lorsque le menu ALARMES - ÉTATS est entré.
- Les alarmes s'affichent quand ils sont présents et doivent être interrompues avec l'avertisseur.
- Les alarmes restent affichées quand ils sont présents et sont automatiquement enregistrés dans le journal des événements avec la date et l'heure.



Description des alarmes et états

Pour une description plus détaillée des alarmes et des états, consultez la section « Pannes et alarmes » du présent manuel.

5.3 CONFIGURATIONS ET OPÉRATIONS AVANCÉES

La pression de l'icône *Paramètres* affichera la page d'accès à la section de configuration protégée par mot de passe.



Image 16 – Mot de passe d'accès à la section Paramètres



Image 17 – Section PARAMÈTRES, page 1

La flèche dans la barre principale supérieure indique que la section contient des pages supplémentaires.



Image 18 – Section PARAMÈTRES, page 2



Accès protégé par mot de passe

Le menu PARAMÈTRES est protégé par un mot de passe défini par l'usine afin de prévenir l'accès au personnel non autorisé.

- Nous recommandons une divulgation minimale du mot de passe d'accès.
- Les modifications apportées aux paramètres de fonctionnement et aux opérations de démarrage sur l'UPS peuvent être potentiellement dangereuses pour le dispositif et les personnes.

5.3.1 Reconfiguration du dispositif

L'unité d'alimentation sans coupure (UPS) est équipée de protections internes qui bloquent le système ou certaines de ses sections. L'alarme peut être effacée et le fonctionnement normal peut être repris à travers la page *RÉINITIALISATION DU DISPOSITIF*. Au cas où le problème persiste, l'unité d'alimentation sans coupure (UPS) retournera à l'état de panne précédent. Dans certains cas, la *RÉINITIALISATION* est nécessaire pour simplement réinitialiser un signal de défaillance, puis l'unité d'alimentation sans coupure (UPS) reprendra son fonctionnement. Les conditions de défaillance qui imposent un réarmement manuel sont :

- Activation de l'alarme de panne de la batterie (alarme A10)
- Re-transfert du bloc du commutateur statique (alarme A17)
- Demande d'une maintenance systématique (alarme A29).
- Fermeture du survolteur due au fonctionnement du capteur de symétrie de charge (alarme A33)
- Fermeture de l'onduleur due à une erreur de boucle de contrôle de tension (alarme A39)

- Fermeture du survolteur due à une erreur de boucle de contrôle de tension (alarme A41)
- Fermeture du survolteur due à une erreur de boucle de contrôle de tension (alarme A43)
- Blocage dû au débranchement d'un câble parallèle (alarme A50)
- Blocage dû au débranchement de deux câbles parallèles (alarme A55).
- Redémarrage du système après un arrêt en raison de l'activation EPO.

Plusieurs conditions de blocage spécifiques des modules électriques peuvent seulement être effacées en entrant directement dans la section *Paramètres* des modules (voir le paragraphe correspondant).

Pour une description de l'état de l'alimentation sans coupure (UPS) dans chacune des conditions de panne citées plus haut, veuillez vous reporter à la section « Pannes et alarmes ».

5.3.2 Configuration de la date et de l'heure

La date et l'heure peuvent être réglées au moyen du menu *HORLOGE*.



Image 19 – Configuration manuelle de l'horloge



Configuration de la date et de l'heure courantes correctement

Le réglage exact de la date et de l'heure est essentiel pour l'enregistrement du journal des événements.

Le système permet également de configurer un serveur NTP pour la synchronisation de la date et de l'heure. Ce mode de configuration est activé en appuyant sur l'étiquette *Activé*. Alors que le serveur NTP est activé, les données ne peuvent plus être manuellement saisies.

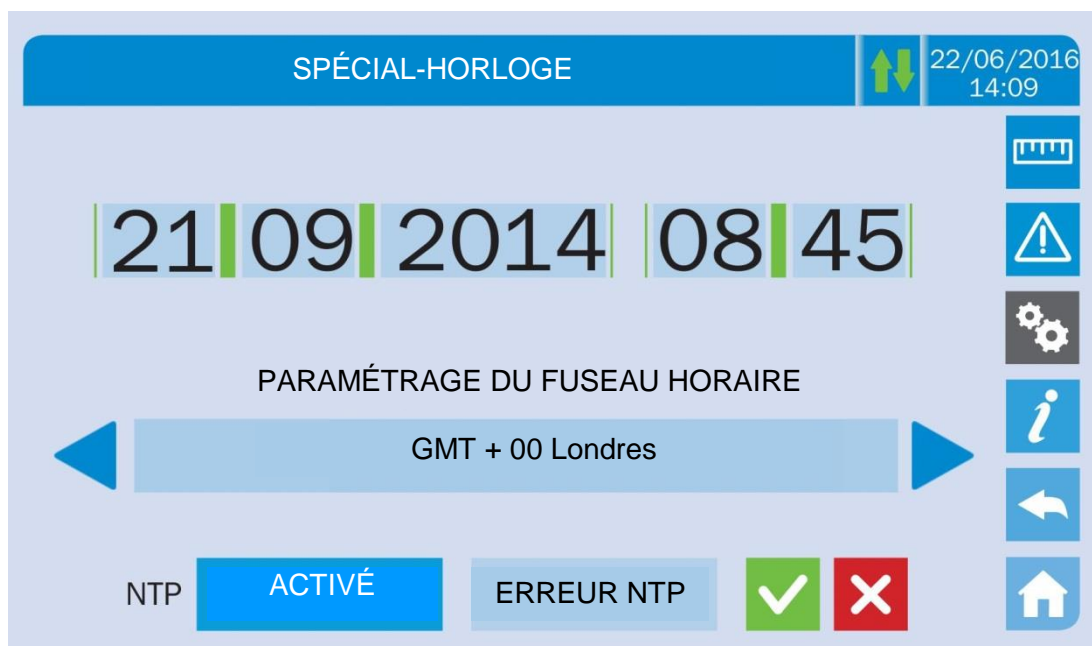


Image 20 – Configuration automatique de l'horloge

Les paramètres d'accès au serveur NTP peuvent être configurés via les pages de *Configuration réseau* dans la section *Paramètres*. Si le serveur ne répond pas ou que la connexion LAN est manquante, le message *ERREUR NTP* s'affichera.

5.3.3 Configuration de la langue d'affichage

L'image suivante montre les langues qui peuvent être définies.



Image 21 – Configuration de la langue

La sélection de la langue est effectuée en appuyant sur l'un des drapeaux.

5.3.4 Reconfiguration du journal des historiques

Le journal des historiques peut être réinitialisé en entrant dans la section *RÉINITIALISATION DE L'HISTORIQUE* ; l'opération requiert une confirmation par la suite.



Perte de données

L'historique des alarmes contient des données très importantes pour surveiller le comportement de l'appareil au cours du temps. Nous vous recommandons de sauvegarder les données avant de les supprimer.

5.3.5 Configuration des paramètres de l'interface utilisateur RS485

Les paramètres concernant la communication au moyen de l'interface RS485 peuvent être configurés dans la section *MODBUS RS485*.

Cette section permet de définir l'adresse ModBus, le mode de communication et la vitesse de transmission des données.

5.3.6 Nouvelle batterie

La page *NOUVELLE BATT* est utilisée en cas où le disjoncteur de la batterie BCB n'est pas fermé, sur demande, dans la phase de démarrage. Dans ce cas, le système démarre tiendra compte de la batterie complètement déchargée et l'activation de l'alarme « A10 - DÉFAUT BATTERIE ».

Pour définir l'autonomie de la batterie à 100 %, il est nécessaire d'accéder au menu et d'appuyer sur le bouton pour confirmer.

En cas de configuration de batterie distribuée, cette section est désactivée et se trouve dans la section *Paramètres* de chaque module électrique.

5.3.7 Configuration de la batterie

Dans le cas où l'unité d'alimentation sans coupure (UPS) a été testée sans connaître les données caractéristiques de la batterie de stockage, le menu de *CONFIGURATION DE BATTERIE* permet de configurer ces données. Chaque paramètre configurable simple est accessible via la page suivante.

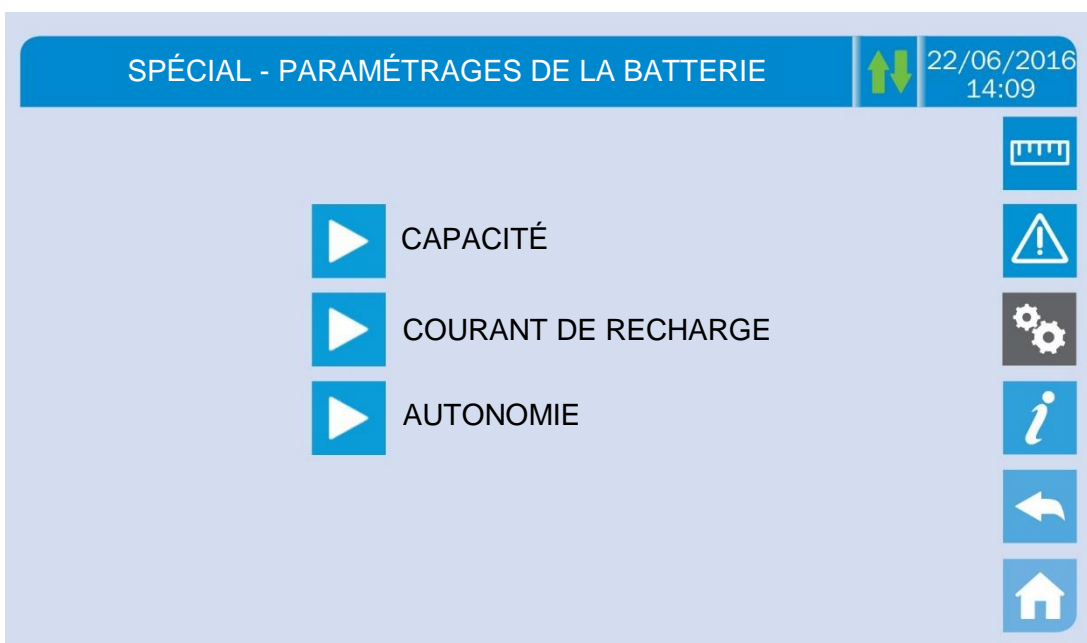


Image 22 – Configuration des paramètres de la batterie

Les différentes pages de configuration des paramètres sont semblables les unes aux autres et nécessitent que l'opérateur saisisse et confirme la valeur ; la page de configuration de la capacité de la batterie est indiquée ci-dessous à titre de référence.

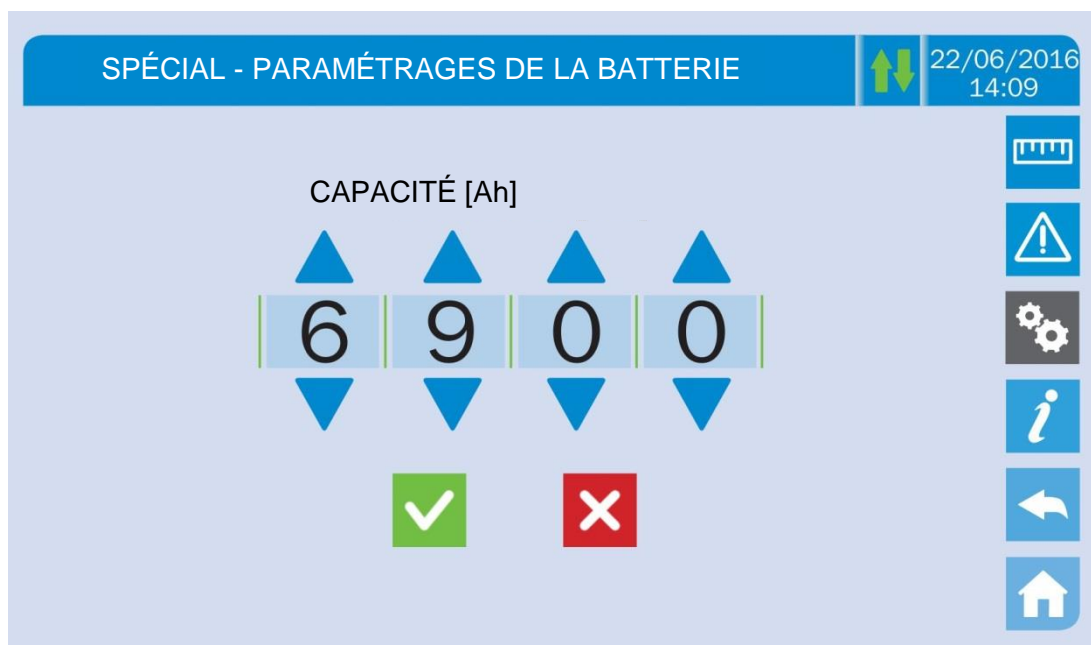


Image 23 – Configuration des paramètres de la batterie

5.3.8 Test de la batterie

Le menu du *TEST DE BATTERIE* permet d'effectuer un test de court déchargement de la batterie. Si la batterie n'est pas efficace, l'alarme « A10 - Défaut batterie » est générée à la fin de l'essai.



Perte possible d'alimentation électrique

Ce test peut affecter la continuité de l'approvisionnement des charges si la batterie n'est pas complètement chargée.

5.3.9 Configuration des paramètres réseau d'affichage

La section *CONFIG RÉSEAU* permet de configurer les paramètres se rapportant au réseau LAN et au serveur de synchronisation de l'heure du système.

Tous les paramètres qui peuvent être définis dans cette section se rapportent aux ports de communication (LAN et RS485) disponibles à bord de l'écran tactile.

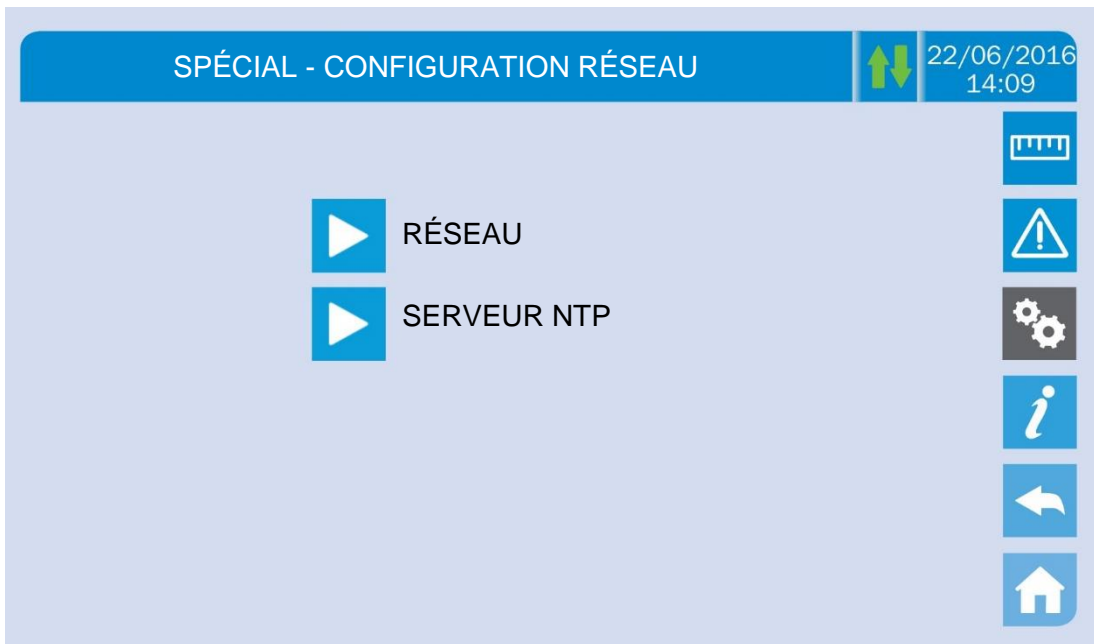


Image 24 – Configuration des paramètres réseau de l'écran tactile

5.3.9.1 Configuration des paramètres LAN

Les paramètres réseau LAN configurables sont les suivants :

- Adresse IP
- Masque de réseau
- Passerelle de réseau
- Serveur DNS primaire
- Serveur DNS secondaire
- Activation/Désactivation du DHCP



Image 25 – Configuration des paramètres LAN

5.3.9.2 Configuration des paramètres NTP

Les paramètres du service NTP configurables sont les suivants :

- Adresse du serveur NTP primaire
- Adresse du serveur NTP secondaire
- Activation/Désactivation du NTP



Image 26 – Configuration des paramètres NTP

5.3.9.3 Modification des paramètres

La modification des paramètres est effectuée en appuyant sur le champ qui est à modifier ; le paramètre s'affichera sur la chaîne modifiable en haut de la page, avec un clavier.



Image 27 – Modification des paramètres numériques

Les champs liés aux serveurs NTP peuvent être soit numériques (adresse IP du serveur distant) ou alphanumériques quand le serveur distant peut être atteint via une adresse Web. Auquel cas, le clavier qui apparaîtra dans la page est complet.

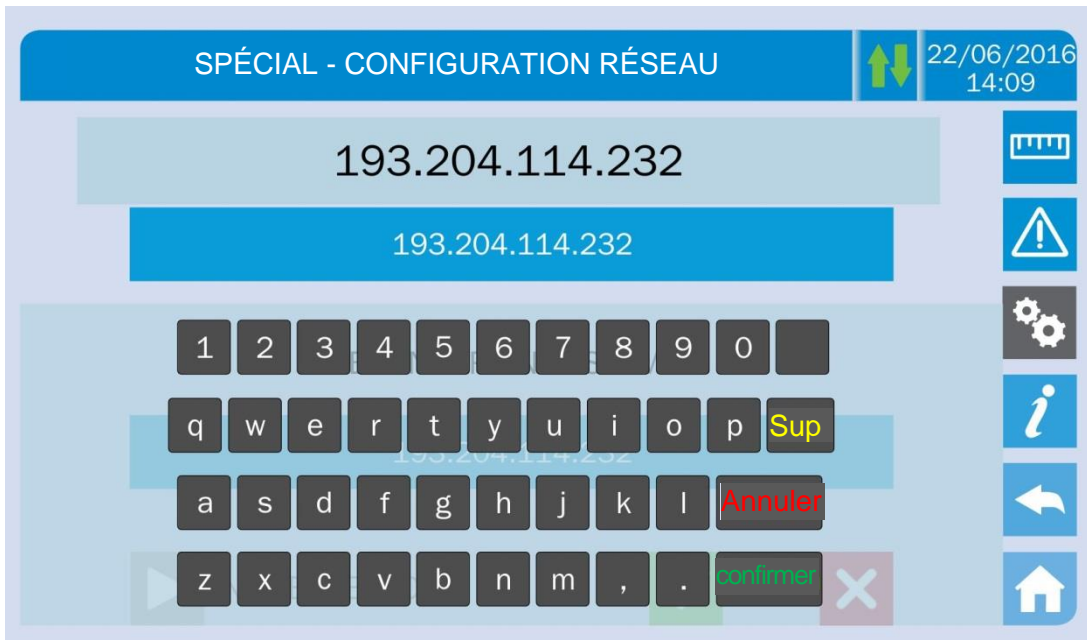


Image 28 – Modification des paramètres de l'adresse NTP

5.3.10 Modification du mode de fonctionnement – MODE ÉCO

La section MODE ÉCO permet la modification du mode de fonctionnement de l'alimentation sans coupure (UPS), du fonctionnement en Fréquence de tension indépendante – VFI (Voltage Frequency Independent) (double conversion en ligne) à la Fréquence de tension dépendante – VFD (Voltage Frequency Dependent). Dans ce mode, la charge est directement fournie par le CA et l'onduleur est activé, prêt à prendre la relève en cas d'anomalies des réseaux de distribution. Le transfert se produit en un temps maximal de 10 ms.

La stabilité des réseaux CA est contrôlée par un algorithme spécifique qui permet de désactiver automatiquement le mode *LIGNE INTERACTIVE* si la tension ou la fréquence ne se conforme pas aux exigences programmées.



Modification du mode de fonctionnement de l'alimentation sans coupure (UPS) – MODE ÉCO

La modification du mode de fonctionnement de l'alimentation sans coupure (UPS) est réservée au personnel compétent.

Avant de configurer le système en *MODE ÉCO*, vérifiez que la charge est adaptée au fonctionnement dans ce mode, et qu'elle supporte les interruptions de tension pendant une durée maximale de 10 ms.

Il est recommandé d'opérer sous la supervision du personnel du fabricant ou de suivre ses indications spécifiques.

Le fabricant ne pas être jugé responsable de tout dommage dû à l'incompétence ou à l'inexpérience du personnel autorisé du client.

5.4 INFORMATIONS SUR LE SYSTÈME

La section *INFO* fournit des informations générales concernant les unités d'alimentation sans coupure (UPS) ; appuyez sur l'icône correspondante pour ouvrir la page principale.



Image 29 – Section INFO

Toutes les données affichées dans les diverses sections sont définies lors de l'essai en usine via un logiciel d'interface spécifique et ne peuvent être modifiées par quiconque, sauf le personnel autorisé par le fabricant.

5.4.1 Informations sur le dispositif

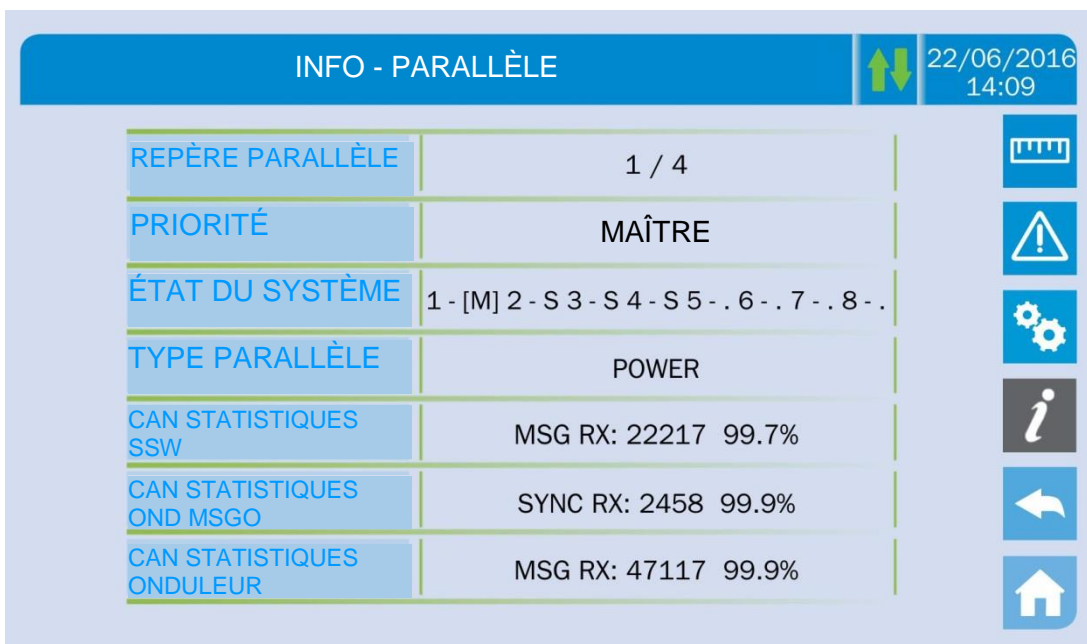


Image 30 – Informations sur le dispositif

Sous-page	Données affichées
NUMÉRO DE SÉRIE	Numéro de série attribué par le fabricant et par un distributeur OEM possible
TYPE DE DISPOSITIF	Type de dispositif (EN LIGNE, ÉCO, etc.)
MODE DE FONCTIONNEMENT	Il peut être <i>SIMPLE</i> , ou <i>PARALLÈLE</i> si le système est parallèle aux autres alimentations sans coupure (UPS) <i>UPSaver</i> .
HEURES DE SERVICE	Heures de fonctionnement de l'équipement
HORLOGE	Configuration de la date et de l'heure du système actuel

5.4.2 Informations parallèles

La page contenant les informations sur le parallèle est seulement activée si l'alimentation sans coupure (UPS) est parallèle aux autres systèmes *UPSaver*.




INFO - PARALLÈLE		22/06/2016 14:09
REPÈRE PARALLÈLE	1 / 4	
PRIORITÉ	MAÎTRE	
ÉTAT DU SYSTÈME	1 - [M] 2 - S 3 - S 4 - S 5 - . 6 - . 7 - . 8 - .	
TYPE PARALLÈLE	POWER	
CAN STATISTIQUES SSW	MSG RX: 22217 99.7%	
CAN STATISTIQUES OND MSGO	SYNC RX: 2458 99.9%	
CAN STATISTIQUES ONDULEUR	MSG RX: 47117 99.9%	

Image 31 – Informations parallèles

5.4.2.1 Indice parallèle

Le premier chiffre identifie la *position* de cette alimentation sans coupure (UPS) spécifique dans le système parallèle. Le second chiffre représente le nombre total d'unités *UPSaver*.

5.4.2.2 Priorité Maître/Esclave

La chaîne sur la seconde ligne peut avoir deux valeurs, « MAÎTRE » ou « ESCLAVE ». Seule une *ALIMENTATION SANS COUPURE (UPS) MAÎTRE* peut être présente dans le système ; sinon, il y aura un conflit sur le bus de communication des données.

5.4.2.3 État du système (surveillance du bus de communication)

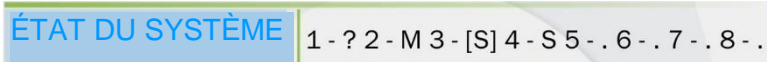
Ce champ donne une indication générale concernant la communication entre les unités de l'alimentation sans coupure (UPS) composant le système.

- Les numéros représentent les unités d'alimentation sans coupure (UPS) individuelles.
- Les lettres M et S sont pour « MAÎTRE » et « ESCLAVE » respectivement.
- Les parenthèses [] autour d'une lettre indiquent que nous travaillons sur cette unité d'alimentation sans coupure (UPS) spécifique.
- Un point d'interrogation à côté d'un numéro indique que cette unité d'alimentation sans coupure (UPS) ne communique pas sur le bus de données.

Imaginons les situations suivantes :

- système composé de 4 unités d'alimentation sans coupure (UPS) ;
- UPS2 est couramment l'unité d'alimentation sans coupure (UPS) MAÎTRE ;
- nous contrôlons la communication de données sur UPS3 ;
- UPS4 ne communique pas.

La section sera comme indiqué ci-après.



ÉTAT DU SYSTÈME | 1 - ? 2 - M 3 - [S] 4 - S 5 - . 6 - . 7 - . 8 - .

Image 32 – État de communication de bus parallèle

5.4.2.4 Type parallèle

La chaîne peut avoir deux valeurs, « PUISSANCE » ou « REDONDANT+x ».

- PUISSANCE signifie que le système parallèle est configuré de façon à demander la présence de toutes les unités d'alimentation sans coupure (UPS) pour alimenter la charge.
- REDONDANT+x signifie que le système est redondant et l'index de redondance est indiqué par le numéro «x». Par exemple, dans un système composé de 3 unités d'alimentation sans coupure (UPS), « REDONDANT+2 » signifie que seulement une des unités d'alimentation sans coupure est suffisante pour alimenter la charge.

5.4.2.5 Statistiques de messages

La section des statistiques sur les messages échangés sur les bus de communication se compose de trois menus différents.

STAT CAN SSW → Nombre de messages reçus et pourcentage de précision de réception en ce qui concerne l'état des interrupteurs statiques. Les messages sont échangés entre toutes les unités d'alimentation sans coupure (UPS), donc le nombre va augmenter sur chacun d'eux.

STAT CAN OND MSG0 → Nombre de messages reçus et pourcentage de précision de réception en ce qui concerne les signaux de synchronisme. Les messages sont envoyés par les unités d'alimentation sans coupure MAÎTRE (UPS), et par conséquent le nombre n'augmentera que sur les unités d'alimentation sans coupure ESCLAVE (UPS).

STAT CAN ONDULEUR → Nombre de messages reçus et pourcentage de précision de réception en ce qui concerne l'état du système. Les messages sont échangés entre toutes les unités d'alimentation sans coupure (UPS), donc le nombre va augmenter sur chacun d'eux.

5.4.3 Version du firmware



INFO - VERSION DU FIRMWARE (1/2)		22/06/2016 14:09
DSP1 - REDRESSEUR	0.1.27.0	[Keyboard] [Warning] [Settings] [Info] [Back] [Home]
DSP2 - ONDULEUR	0.1.19.0	
uC - SSW	0.1.90.1	
ÉCRAN D'AFFICHAGE	0.1.0.6	

Image 33 – Version du firmware

La seconde page de la version du firmware contient les informations concernant le contrat de licence relatif au logiciel d'exploitation de l'écran tactile.

5.4.4 Informations sur le service

Le menu SERVICE fournit des informations importantes concernant le service technique sur l'unité d'alimentation sans coupure (UPS). L'information est affichée par l'intermédiaire d'une chaîne de texte de max. 60 caractères qui défile sur la deuxième ligne d'affichage.

Toutefois, veuillez voir aussi les adresses et les numéros de téléphone indiqués dans le présent manuel.

5.4.5 Informations de communication RS485

La section MODBUS RS485 fournit des informations sur les paramètres du port de communication, concernant l'adresse ModBus attribuée, le mode de communication et la vitesse de transmission des données.

6 PANNES ET ALARMES

Comme indiqué dans les chapitres précédents, le système est muni d'un diagnostic de base qui permet la visualisation immédiate des conditions de fonctionnement.

L'icône Alarmes devient rouge et le buzzer est activé (si activé). Sur la page État de l'onduleur, le code alphanumérique de l'alarme et une brève description de l'alarme sont affichés.

Normalement, une alarme sur un module d'alimentation génère également une alarme dans l'unité de contrôle de l'onduleur; certaines conditions sont traitées à la place dans la logique "n / N", basée sur la redondance de puissance définie,



Risque de blessure dû à un choc électrique !

Avant d'effectuer toute opération sur l'UPS, s'assurer que toutes les précautions de sécurité soient respectées :

- Tout travail sur l'unité doit être effectué par un personnel qualifié ;
- Les composants internes ne peuvent être accessibles qu'après avoir débranché l'appareil à partir de sources d'alimentation ;
- Toujours utiliser les dispositifs de protection conçus pour chaque type d'activité ;
- Les instructions contenues dans les manuels doivent être strictement suivies ;
- En cas de doute ou d'impossibilité de résoudre le problème, veuillez contacter immédiatement Legrand.

6.1 DÉFINITION DE L'ÉTAT DE FONCTIONNEMENT

État	S1	SURVOLTEUR OK
Description	La section du redresseur fonctionne convenablement.	
Condition de fonctionnement	Le redresseur alimente l'onduleur et maintient la batterie chargée.	

État	S2	BATTERIE OK
Description	La batterie est branchée sur l'unité d'alimentation sans coupure (UPS).	
Condition de fonctionnement	La batterie est maintenue en charge par le redresseur et est prête à alimenter l'onduleur.	

État	S3	ONDULEUR OK
Description	La tension et la fréquence de l'onduleur sont dans la plage autorisée.	
Condition de fonctionnement	L'onduleur est prêt à alimenter la charge.	

État	S4	ONDULEUR --> CHARGE
Description	L'onduleur alimente la charge.	
Condition de fonctionnement	La charge est alimentée par le commutateur d'onduleur statique.	

État	S5	SYNC DÉRIVATION ONDULEUR
Description	L'onduleur est synchronisé avec la dérivation.	
Condition de fonctionnement	La synchronisation entre l'onduleur et la dérivation est verrouillée, et le commutateur statique peut changer d'une source à l'autre.	

État	S6	DÉRIVATION OK
Description	La tension de dérivation et la fréquence de l'onduleur sont dans la plage autorisée.	
Condition de fonctionnement	La ligne de dérivation est prête pour le passage en cas de coupure de l'onduleur.	

État	S7	DÉRIVATION --> CHARGE
Description	Charge alimentée par la ligne de dérivation.	
Condition de fonctionnement	La charge est alimentée par la dérivation via le commutateur statique, attendant le redémarrage de l'onduleur.	

État	S8	ONDULEUR MASTER SYNCHRONISÉ
Description	L'onduleur est synchronisé avec l'ASI MASTER.	
Condition de fonctionnement	Cet état n'est présent que sur les onduleurs SLAVE et indique que l'onduleur est synchronisé avec le signal envoyé par l'onduleur MASTER.	

État	S10	VEILLE REDRESSEUR (NON DISPONIBLE)
Description	Le redresseur est en mode veille.	
Condition de fonctionnement	Le redresseur est éteint et prêt à être démarré pour charger la batterie (algorithme de conversion verte).	

État	S11	VEILLE ONDULEUR (NON DISPONIBLE)
Description	L'onduleur est en mode veille.	
Condition de fonctionnement	L'onduleur est éteint et prêt à être démarré en cas d'anomalie du réseau de dérivation.	

État	S12	VEILLE BATT
Description	La batterie est en mode veille.	
Condition de fonctionnement	Le commutateur statique de la batterie est ouvert et la batterie est débranchée de l'omnibus CC.	

État	S14	BATT CHARGE I
Description	La batterie est en charge.	
Condition de fonctionnement	L'interrupteur statique de la batterie est fermé et la batterie se trouve dans la première phase du mode de charge I / U (DIN 41773), avec un courant constant et une tension croissante.	

État	S15	BATT CHARGE U
Description	La batterie est en charge.	
Condition de fonctionnement	L'interrupteur statique de la batterie est fermé et la batterie se trouve dans la deuxième et dernière phase du mode de charge I / U (DIN 41773), avec une tension constante et un courant décroissant.	

6.2 RECHERCHE DE PANNE

Alarme	A1	PANNE DES RÉSEAUX
Description	La tension ou la fréquence de la ligne d'entrée est hors tolérance.	
Causes possibles	<ul style="list-style-type: none"> ➤ Instabilité ou panne des réseaux de distribution ➤ Mauvaise rotation de phase 	
Solutions	<ol style="list-style-type: none"> 1. Vérifier les connexions au réseau. 2. Vérifier la stabilité de la tension d'alimentation. 3. Si l'alarme persiste, contacter notre service d'assistance technique. 	

Alarme	A2	MAUVAISE SÉQUENCE D'ENTRÉE
Description	La rotation de phase sur la ligne d'entrée du redresseur est erronée.	
Causes possibles	<ul style="list-style-type: none"> ➤ Branchement erroné des câbles d'alimentation 	
Solutions	<ol style="list-style-type: none"> 1. Vérifier la rotation de phase. 2. Si l'alarme persiste, contacter notre service d'assistance technique. 	

Alarme	A3	SURVOLTEUR ARRÊTÉ
Description	Le redresseur a été temporairement déconnecté et l'onduleur est alimenté par la batterie.	
Causes possibles	<ul style="list-style-type: none"> ➤ L'instabilité de la fréquence ou de la tension de la ligne à courant alternatif. ➤ Panne possible sur le circuit de contrôle du redresseur 	
Solutions	<ol style="list-style-type: none"> 1. Vérifier les paramètres de la tension de ligne à courant alternatif. 2. Redémarrer le dispositif. 3. Si l'alarme persiste, contacter notre service d'assistance technique. 	

Alarme	A4	PANNE DU SURVOLTEUR
Description	Le redresseur a été déconnecté en raison d'un défaut interne.	
Causes possibles	<ul style="list-style-type: none"> ➤ Panne possible sur le circuit de contrôle du redresseur 	
Solutions	<ol style="list-style-type: none"> 1. Vérifier les alarmes qui sont présentes et effectuer les procédures indiquées. 2. Redémarrer le dispositif. 3. Si l'alarme persiste, contacter notre service d'assistance technique. 	

Alarme	A5 PANNE DE TENSION COURANT CONTINU
Description	La tension de courant continu mesurée est hors tolérance.
Causes possibles	<ul style="list-style-type: none"> ➤ La batterie a atteint la tension de décharge en raison d'une panne de courant. ➤ Mesure de défaillance du circuit
Solutions	<ol style="list-style-type: none"> 1. Vérifier la valeur réelle de la tension de courant continu mesurée. 2. En cas de panne de courant du réseau, attendre que la tension de courant alternatif soit restaurée. 3. Vérifier les alarmes qui sont présentes et effectuer les procédures indiquées. 4. Redémarrer le dispositif. 5. Si l'alarme persiste, contacter notre service d'assistance technique.

Alarme	A6 BATTERIE EN TEST
Description	Le redresseur de tension est réduit pour commencer une décharge contrôlée courte de la batterie.
Causes possibles	<ul style="list-style-type: none"> ➤ Un test de la batterie a été démarré automatiquement (si activé), ou manuellement par l'utilisateur.
Solutions	<ol style="list-style-type: none"> 1. Attendre la fin du test, et vérifier les éventuels défauts de batterie.

Alarme	A7 BCB OUVERT
Description	Le sectionneur de la batterie est ouvert.
Causes possibles	<ul style="list-style-type: none"> ➤ Sectionneur de la batterie ouvert
Solutions	<ol style="list-style-type: none"> 1. Vérifier l'état du sectionneur de la batterie. 2. Vérifier le fonctionnement du contact auxiliaire du sectionneur. 3. Vérifier la connexion entre le contact auxiliaire du sectionneur et les bornes auxiliaires de l'unité d'alimentation sans coupure (UPS) (le cas échéant). 4. Si l'alarme persiste, contacter notre service d'assistance technique.

Alarme	A8 DÉCHARGEMENT DE LA BATTERIE
Description	La batterie est en train de se décharger.
Causes possibles	<ul style="list-style-type: none"> ➤ La batterie est en train de se décharger à cause d'une panne du réseau. ➤ Panne du redresseur.
Solutions	<ol style="list-style-type: none"> 1. Vérifier les alarmes qui sont présentes et effectuer les procédures indiquées. 2. Si l'alarme persiste, contacter notre service d'assistance technique.

Alarme	A9	FIN BATTERIE AUT
Description	La batterie a atteint le niveau de décharge de pré-alarme.	
Causes possibles	<ul style="list-style-type: none">➤ La batterie est en train de se décharger à cause d'une panne du réseau.➤ Panne du redresseur.	
Solutions	<ol style="list-style-type: none">1. Vérifier les alarmes qui sont présentes et effectuer les procédures indiquées.2. Si l'alarme persiste, contacter notre service d'assistance technique.	

Alarme	A10	PANNE DE LA BATTERIE
Description	Panne à la suite d'un test de la batterie	
Causes possibles	<ul style="list-style-type: none">➤ Panne de la batterie	
Solutions	<ol style="list-style-type: none">1. Vérifier la batterie.2. Réinitialiser le système.3. Si l'alarme persiste, contacter notre service d'assistance technique.	

Alarme	A11	COURT-CIRCUIT
Description	Le capteur de courant a détecté un court-circuit à la sortie.	
Causes possibles	<ul style="list-style-type: none">➤ Problème de charge➤ Mesure de défaillance du circuit	
Solutions	<ol style="list-style-type: none">1. Vérifier les charges connectées à la sortie de l'unité d'alimentation sans coupure (UPS).2. Si l'alarme persiste, contacter notre service d'assistance technique.	

Alarme	A12	ARRÊT TEMPORISATION SC
Description	Arrêt de l'onduleur dû à un court-circuit prolongé pendant une panne de courant, ou en raison d'une surintensité sur l'entrée du pont de l'onduleur	
Causes possibles	<ul style="list-style-type: none">➤ Court-circuit sur les charges pendant une interruption de l'alimentation électrique➤ Panne du pont de l'onduleur➤ Pic de courant temporaire	
Solutions	<ol style="list-style-type: none">1. Réinitialiser le système.2. Si l'alarme persiste, contacter notre service d'assistance technique.	

Alarme	A13 OND HORS TOLÉR
Description	La tension ou la fréquence de l'onduleur est hors tolérance.
Causes possibles	<ul style="list-style-type: none"> ➤ Fermeture de l'onduleur à cause de l'alarme ➤ Panne de l'onduleur
Solutions	<ol style="list-style-type: none"> 1. Vérifier les alarmes qui sont présentes et effectuer les procédures indiquées. 2. Si l'alarme persiste, contacter notre service d'assistance technique.

Alarme	A14 DÉRIVATION WR SEQ
Description	La rotation de phase sur la ligne de dérivation est erronée.
Causes possibles	<ul style="list-style-type: none"> ➤ Branchement erroné des câbles d'alimentation
Solutions	<ol style="list-style-type: none"> 1. Vérifier la rotation de phase. 2. Si l'alarme persiste, contacter notre service d'assistance technique.

Alarme	A15 PANNE DE DÉRIVATION
Description	La tension ou la fréquence de la ligne de dérivation est hors tolérance.
Causes possibles	<ul style="list-style-type: none"> ➤ Panne ou instabilité de la ligne de dérivation ➤ Mauvaise rotation de phase
Solutions	<ol style="list-style-type: none"> 1. Vérifier les connexions au réseau. 2. Vérifier la stabilité de la tension d'alimentation. 3. Si l'alarme persiste, contacter notre service d'assistance technique.

Alarme	A16 DÉRIVATION --> CHARGE
Description	La charge est alimentée par la ligne de dérivation.
Causes possibles	<ul style="list-style-type: none"> ➤ Passage temporaire due à la défaillance de l'onduleur
Solutions	<ol style="list-style-type: none"> 1. Vérifier l'état de l'onduleur et vérifier si d'autres alarmes sont présentes. 2. Si l'alarme persiste, contacter notre service d'assistance technique.

Alarme	A17 RETRANSFERT DU BLOC
Description	La charge est bloquée sur la ligne de dérivation.
Causes possibles	<ul style="list-style-type: none">➤ Très fréquentes permutations dues aux courants d'appel de charge➤ Problèmes de commutateur statique
Solutions	<ol style="list-style-type: none">1. Réinitialiser le système.2. Contrôler les courants d'appel sur les charges.3. Si l'alarme persiste, contacter notre service d'assistance technique.

Alarme	A18 MBCB FERMÉ
Description	Le sectionneur de dérivation manuelle est fermé.
Causes possibles	<ul style="list-style-type: none">➤ Sectionneur de dérivation manuelle fermé
Solutions	<ol style="list-style-type: none">1. Vérifier l'état du sectionneur de dérivation manuel.2. Vérifier le fonctionnement du contact auxiliaire du sectionneur.3. Si l'alarme persiste, contacter notre service d'assistance technique.

Alarme	A19 OCB OUVERT
Description	Le sectionneur de sortie est ouvert.
Causes possibles	<ul style="list-style-type: none">➤ Isolateur de sortie ouvert
Solutions	<ol style="list-style-type: none">1. Vérifier l'état du sectionneur de sortie.2. Vérifier le fonctionnement du contact auxiliaire du sectionneur.3. Si l'alarme persiste, contacter notre service d'assistance technique.

Alarme	A20 SURCHARGE
Description	Le capteur de courant a détecté une surcharge à la sortie. Si l'alarme persiste, la protection d'image thermique sera activée (alarme A21).
Causes possibles	<ul style="list-style-type: none">➤ Surcharge de sortie➤ Mesure de défaillance du circuit
Solutions	<ol style="list-style-type: none">1. Vérifier les charges connectées à la sortie de l'unité d'alimentation sans coupure (UPS).2. Contacter notre service de support technique.

Alarme	A21 IMAGE THERMIQUE
Description	La protection de l'image thermique a été activée après une surcharge de l'onduleur prolongée. L'onduleur est arrêté pendant 30 minutes, puis redémarré.
Causes possibles	<ul style="list-style-type: none"> ➤ Surcharge de sortie ➤ Mesure de défaillance du circuit
Solutions	<ol style="list-style-type: none"> 1. Vérifier les charges connectées à la sortie de l'unité d'alimentation sans coupure (UPS). 2. Pour rétablir l'alimentation de l'onduleur immédiatement, réinitialiser le système. 3. Si l'alarme persiste, contacter notre service d'assistance technique.

Alarme	A22 COMMUTATEUR DE DÉRIVATION
Description	Le sélecteur « normal/de dérivation » a été mis en fonction.
Causes possibles	<ul style="list-style-type: none"> ➤ Opération de maintenance
Solutions	<ol style="list-style-type: none"> 1. Vérifier la position du sélecteur. 2. Si l'alarme persiste, contacter notre service d'assistance technique.

Alarme	A23 EPO PRESSÉ
Description	Le système est bloqué en raison de l'activation de la touche de mise hors tension d'urgence.
Causes possibles	<ul style="list-style-type: none"> ➤ Activation du bouton de mise hors tension d'urgence (local ou distant)
Solutions	<ol style="list-style-type: none"> 1. Relâcher le bouton d'arrêt d'urgence et réinitialiser l'alarme. 2. Si l'alarme persiste, contacter notre service d'assistance technique.

Alarme	A24 HAUTE TEMPÉRATURE
Description	Température élevée du dissipateur de chaleur sur le pont de l'onduleur ou déclenchement des fusibles de courant continu qui protègent le pont de l'onduleur.
Causes possibles	<ul style="list-style-type: none"> ➤ Panne des ventilateurs de refroidissement du dissipateur thermique ➤ La température ambiante ou la température de l'air de refroidissement est trop élevée. ➤ Déclenchement des fusibles de protection de courant continu
Solutions	<ol style="list-style-type: none"> 1. Vérifier le fonctionnement des ventilateurs. 2. Nettoyer les grilles de ventilation et les filtres à air, le cas échéant. 3. Vérifier le système de conditionnement d'air (si présent). 4. Vérifier l'état des fusibles de courant continu sur l'entrée du pont de l'onduleur. 5. Si l'alarme persiste, contacter notre service d'assistance technique.

Alarme	A25 ONDULEUR HORS CIRCUIT
Description	L'onduleur est bloqué en raison d'un échec de l'opération.
Causes possibles	➤ Variées
Solutions	<ol style="list-style-type: none">1. Réinitialiser le système.2. Si l'alarme persiste, contacter notre service d'assistance technique.

Alarme	A26 ERREUR COMMUNIC
Description	Erreur interne
Causes possibles	➤ Problèmes de communication du micro-contrôleur
Solutions	<ol style="list-style-type: none">1. Si l'alarme persiste, contacter notre service d'assistance technique.

Alarme	A27 ERREUR EEPROM
Description	Le contrôleur a détecté une erreur dans les paramètres mémorisés dans EEPROM.
Causes possibles	➤ Mauvais paramètres entrés lors de la programmation
Solutions	<ol style="list-style-type: none">1. Contacter notre service de support technique.

Alarme	A28 PANNE CRITIQUE
Description	Une alarme a été activée ce qui provoque la fermeture d'une partie de l'unité d'alimentation sans coupure (UPS) (redresseur, onduleur, commutateur statique).
Causes possibles	➤ Panne du système
Solutions	<ol style="list-style-type: none">1. Vérifier les alarmes qui sont présentes et effectuer les procédures indiquées.2. Si l'alarme persiste, contacter notre service d'assistance technique.

Alarme	A29 DEMANDE DE MAINTENANCE
Description	Il est nécessaire d'effectuer des travaux de maintenance.
Causes possibles	➤ Le délai depuis le dernier travail de maintenance est écoulé.
Solutions	<ol style="list-style-type: none">1. Contacter notre service de support technique.

Alarme	A30 ALARME COMMUNE
Description	Alarme commune
Causes possibles	➤ Au moins une alarme est présente.
Solutions	1. Vérifier les alarmes qui sont présentes et effectuer les procédures indiquées.

Alarme	A31 MBCB BUS FERMÉ
Description	Le sectionneur de dérivation manuelle est fermé.
Causes possibles	➤ Sectionneur de dérivation manuelle fermé
Solutions	1. Vérifier l'état du sectionneur de dérivation manuel. 2. Vérifier le fonctionnement du contact auxiliaire du sectionneur. 3. Si l'alarme persiste, contacter notre service d'assistance technique.

Alarme	A32 EPO BUS FERMÉ
Description	Le système est bloqué en raison de l'activation de la touche de mise hors tension d'urgence.
Causes possibles	➤ Activation du bouton de mise hors tension d'urgence (local ou distant)
Solutions	1. Relâcher le bouton d'arrêt d'urgence et réinitialiser l'alarme. 2. Si l'alarme persiste, contacter notre service d'assistance technique.

Alarme	A33 CHARGE ASYMÉTRIQUE
Description	Les tensions positives et négatives mesurées sur les condensateurs de courant continu vers le point milieu sont différentes.
Causes possibles	➤ Éventuelle défaillance sur le circuit de mesure ➤ Cause possible de condensateurs à courant continu
Solutions	1. Réinitialiser le système. 2. Si l'alarme persiste, contacter notre service d'assistance technique.

Alarme	A34 SERVICE REQUIS
Description	Une vérification de l'unité d'alimentation sans coupure (UPS) est nécessaire.
Causes possibles	➤ Possible défaillance de l'unité d'alimentation sans coupure (UPS)
Solutions	1. Si l'alarme persiste, contacter notre service d'assistance technique.

Alarme	A35 MODE DIESEL
Description	L'unité d'alimentation sans coupure (UPS) est alimentée par le générateur diesel.
Causes possibles	<ul style="list-style-type: none"> ➤ Le contact auxiliaire qui active le générateur diesel connecté à l'unité d'alimentation sans coupure (UPS) est fermé, et impose ce mode de fonctionnement.
Solutions	<ol style="list-style-type: none"> 1. Attendre que le générateur diesel s'arrête dès que la tension d'alimentation est rétablie. 2. Vérifier la connexion du contact auxiliaire qui signale le démarrage du générateur diesel, aux bornes XD1/XD2. 3. Si l'alarme persiste, contacter notre service d'assistance technique.

Alarme	A36 FERMETURE RAPIDE DU COURANT CONTINU
Description	Arrêt de l'onduleur dû au fonctionnement de la sonde de protection du fait de brusques variations de tension de courant continu.
Causes possibles	<ul style="list-style-type: none"> ➤ Panne de la batterie
Solutions	<ol style="list-style-type: none"> 1. Vérifier la batterie. 2. Réinitialiser le système. 3. Si l'alarme persiste, contacter notre service d'assistance technique.

Alarme	A38 OND --> CHARGE
Description	La charge est alimentée par l'onduleur. Cette alarme est active pour les systèmes d'unité d'alimentation sans coupure (UPS) en mode « ÉCO », où l'approvisionnement préférentiel est de la ligne de dérivation.
Causes possibles	<ul style="list-style-type: none"> ➤ Passage temporaire due à la défaillance de la ligne de dérivation
Solutions	<ol style="list-style-type: none"> 1. Vérifier l'état de la ligne de dérivation et vérifier si d'autres alarmes sont présentes. 2. Si l'alarme persiste, contacter notre service d'assistance technique.

Alarme	A39 OND ERREUR BOUCLE
Description	Le contrôle n'est pas capable de réguler la tension de l'onduleur précisément.
Causes possibles	<ul style="list-style-type: none"> ➤ Défaillance du système de régulation
Solutions	<ol style="list-style-type: none"> 1. Réinitialiser le système. 2. Si l'alarme persiste, contacter notre service d'assistance technique.

Alarme	A40 PANNE SSI
Description	Le système a détecté un défaut dans le commutateur de l'onduleur statique.
Causes possibles	<ul style="list-style-type: none"> ➤ D'éventuels problèmes sur les charges ➤ Panne du commutateur statique
Solutions	<ol style="list-style-type: none"> 1. Vérifier l'absorption des charges et la présence de composantes en courant continu, le cas échéant, sur le courant alternatif. 2. Si l'alarme persiste, contacter notre service d'assistance technique.
Alarme	A41 REDR ERREUR BOUCLE
Description	Le contrôle n'est pas capable de régler précisément la tension de sortie du redresseur.
Causes possibles	<ul style="list-style-type: none"> ➤ Défaillance du système de régulation
Solutions	<ol style="list-style-type: none"> 1. Réinitialiser le système. 2. Si l'alarme persiste, contacter notre service d'assistance technique.
Alarme	A44 DESATURATION (NON DISPONIBLE)
Description	L'onduleur est bloqué en raison du fonctionnement du capteur de désaturation des drivers IGBT.
Causes possibles	<ul style="list-style-type: none"> ➤ Fault Panne du pont de l'onduleur.
Solutions	<ol style="list-style-type: none"> 1. Réinitialisez le système. 2. Si l'alarme persiste, contactez notre service d'assistance technique.
Alarme	A45 HAUTE TEMPÉRATURE SSW
Description	Température élevée du dissipateur de chaleur sur le commutateur statique
Causes possibles	<ul style="list-style-type: none"> ➤ Panne des ventilateurs de refroidissement du dissipateur thermique ➤ La température ambiante ou la température de l'air de refroidissement est trop élevée.
Solutions	<ol style="list-style-type: none"> 1. Vérifier le fonctionnement des ventilateurs. 2. Nettoyer les grilles de ventilation et les filtres à air, le cas échéant. 3. Vérifier le système de conditionnement d'air (si présent). 4. Si l'alarme persiste, contacter notre service d'assistance technique.

Alarme	A46 PAR PERTE DE REDONDANCE
Description	Cette alarme n'est active que sur les systèmes PARALLÈLES. La continuité n'est pas assurée dans le cas d'un défaut sur l'une des unités d'alimentation sans coupure UPS.
Causes possibles	<ul style="list-style-type: none">➤ La charge totale est supérieure à la valeur maximale attendue.➤ Éventuelle défaillance sur le circuit de mesure
Solutions	<ol style="list-style-type: none">1. Vérifier la charge alimentée par le système.2. Si l'alarme persiste, contacter notre service d'assistance technique.

Alarme	A47 ERREUR PARAMÈTRE ENVOYÉ
Description	Erreur interne
Causes possibles	<ul style="list-style-type: none">➤ Problèmes de communication du micro-contrôleur
Solutions	<ol style="list-style-type: none">1. Contacter notre service de support technique.

Alarme	A48 ERREUR PARAMÈTRE RCV
Description	Erreur interne
Causes possibles	<ul style="list-style-type: none">➤ Problèmes de communication du micro-contrôleur
Solutions	<ol style="list-style-type: none">1. Contacter notre service de support technique.

Alarme	A49 TEST MODE ERREUR
Description	Erreur interne
Causes possibles	<ul style="list-style-type: none">➤ Problèmes de communication du micro-contrôleur
Solutions	<ol style="list-style-type: none">1. Contacter notre service de support technique.

Alarme	A51 BATT TEMPÉRATURE
Description	La température de la batterie est hors tolérance. Cette alarme n'est active que lorsque la sonde de température est installée et activée sur la batterie.
Causes possibles	<ul style="list-style-type: none"> ➤ Température anormale dans la batterie du cabinet. ➤ Éventuelle défaillance sur le circuit de mesure.
Solutions	<ol style="list-style-type: none"> 1. Vérifier la température sur les batteries et éliminer la cause de l'alarme, le cas échéant. 2. Si l'alarme persiste, contacter notre service d'assistance technique.

Alarme	A53 ERREUR DU FIRMWARE
Description	Le contrôleur a détecté une incompatibilité dans le logiciel de commande.
Causes possibles	<ul style="list-style-type: none"> ➤ La mise à jour du logiciel n'a pas été effectuée convenablement.
Solutions	<ol style="list-style-type: none"> 1. Contacter notre service de support technique.

Alarme	A54 ERREUR CAN
Description	Erreur interne.
Causes possibles	<ul style="list-style-type: none"> ➤ Problèmes de communication du micro-contrôleur.
Solutions	<ol style="list-style-type: none"> 1. Contacter notre service de support technique.

Alarme	A55 PAR CÂBLE DISC
Description	Le câble parallèle ne communique pas.
Causes possibles	<ul style="list-style-type: none"> ➤ Le câble parallèle ne communique pas.
Solutions	<ol style="list-style-type: none"> 1. Vérifier la connexion du câble. 2. Contacter notre service de support technique.

Alarme	A56 DÉSÉQUILIBRE DES RÉSEAUX
Description	La tension d'entrée du redresseur est déséquilibrée.
Causes possibles	<ul style="list-style-type: none"> ➤ Problèmes sur le réseau de distribution de basse tension (BT) ou de moyenne tension (MT) ➤ Défaut du circuit de mesure
Solutions	<ol style="list-style-type: none"> 1. Vérifier la tension d'entrée 2. Contacter notre service de support technique.

Alarme	A59	RÉALIMENTATION RELAIS ACTIVÉE
Description	La protection de réalimentation a été activée. Alarmes présentes dans le journal des historiques seulement.	
Causes possibles	➤ Problèmes sur le commutateur statique de dérivation	
Solutions	<ol style="list-style-type: none"> 1. Vérifier les thyristors du commutateur statique. 2. Contacter notre service de support technique. 	

Alarme	A61	PERTE DE PUISSANCE REDONDANTE
Description	Panne de l'alimentation auxiliaire redondante.	
Causes possibles	➤ Erreur interne.	
Solutions	<ol style="list-style-type: none"> 1. Contacter notre service de support technique. 	

Alarme	A62	SURTENSION DU RÉSEAU
Description	Rilevazione di un picco di tensione sull'ingresso AC	
Causes possibles	<ul style="list-style-type: none"> ➤ Détection d'un pic de tension AC à l'entrée ➤ Erreur interne possible. 	
Solutions	<ol style="list-style-type: none"> 1. Vérifiez le réseau AC. 2. Si l'alarme persiste, contacter notre service d'assistance technique. 	

Alarme	A63	DÉMARRAGE SEQ BLOC
Description	Pendant le démarrage des unités d'alimentation sans coupure (UPS) une défaillance a empêché la bonne exécution de la séquence.	
Causes possibles	<ul style="list-style-type: none"> ➤ Dispositifs de commande en mauvaise position ou mal utilisés ➤ Possible défaillance interne 	
Solutions	<ol style="list-style-type: none"> 1. S'assurer que la position des dispositifs de contrôle (sectionneurs, sélecteurs) est telle que spécifiée dans les procédures (voir section « Installation et démarrage »). 2. Si l'alarme persiste, contacter notre service d'assistance technique. 	

Alarme	A64	SOUS-TENSION DU RÉSEAU
Description	Détection d'un abaissement rapide AC sur l'entrée	
Causes possibles	<ul style="list-style-type: none"> ➤ Lower Abaissement brutal du réseau AC (brunissement). ➤ Possible défaillance interne 	
Solutions	<ol style="list-style-type: none"> 1. Vérifiez le réseau AC. 2. Si l'alarme persiste, contacter notre service d'assistance technique. 	

LINGUA ITALIANA

1 APPLICABILITÀ

Le istruzioni riportate nel manuale operativo sono applicabili ai gruppi di continuità indicati di seguito.

- *BSP06* KEOR HPE 200 kVA
- *BSO02* KEOR HPE 250 kVA
- *BSS88* KEOR HPE 300kVA



Conservazione della documentazione

Questo manuale e tutta la restante documentazione tecnica di supporto al prodotto devono essere conservati, e possibilmente resi accessibili al personale nelle immediate vicinanze dell'UPS.



Informazioni aggiuntive

Nel caso le informazioni riportate nel presente manuale non fossero abbastanza esaurienti si prega di contattare il costruttore del dispositivo, i cui dettagli sono disponibili alla sezione "Contatti".

2 REGOLE E AVVERTENZE DI SICUREZZA



Pericolo di lesioni a seguito shock elettrico

Rispettare sempre tutte le indicazioni relative alla sicurezza, e in particolar modo:

- tutti i lavori sull'apparato devono essere svolti da personale qualificato;
- accedere ai componenti interni solo dopo aver disconnesso il dispositivo dalle sorgenti di alimentazione;
- utilizzare sempre i dispositivi di protezione specifici per ciascun tipo di attività;
- seguire scrupolosamente le istruzioni riportate nei manuali;



Pericolo di lesioni a seguito di guasti al dispositivo

In caso di guasto dell'UPS si possono creare situazioni potenzialmente pericolose.

- Non utilizzare il dispositivo se presenta danni visibili.
- Effettuare regolarmente interventi di manutenzione al fine di rilevare possibili anomalie.



Possibile danneggiamento del dispositivo

Prima di qualsiasi intervento sul dispositivo aver cura di prendere tutte le precauzioni contro le scariche elettrostatiche che potrebbero danneggiare la parte elettronica del sistema.



Leggere la documentazione tecnica

Prima di installare ed utilizzare l'apparecchiatura, assicurarsi di aver letto e compreso tutte le istruzioni contenute nel presente manuale e nella restante documentazione tecnica di supporto.

3 DESCRIZIONE GENERALE DELL'UPS

3.1 TIPOLOGIA

L'UPS descritto in questo manuale è del tipo on-line, doppia conversione; l'inverter facente parte dell'UPS fornisce sempre energia al carico, sia in presenza che in assenza di rete (per il tempo di autonomia della batteria).

Questa configurazione assicura all'utente il miglior servizio, poiché fornisce continuamente energia pulita garantendo la stabilizzazione della tensione e della frequenza ai valori nominali. Inoltre grazie alla doppia conversione, rende il carico completamente immune da micro-interruzioni e da eccessive variazioni della rete, che potrebbero altrimenti danneggiare le utenze (Computer - Strumentazione - Apparecchiature scientifiche ecc.).



Presenza tensione in uscita

La linea connessa con l'uscita UPS è alimentata anche in mancanza della rete per cui, in accordo alle prescrizioni della CEI EN62040-1-2, l'installatore dovrà identificare la linea o le prese alimentate dall'UPS, richiamando l'attenzione dell'utente.

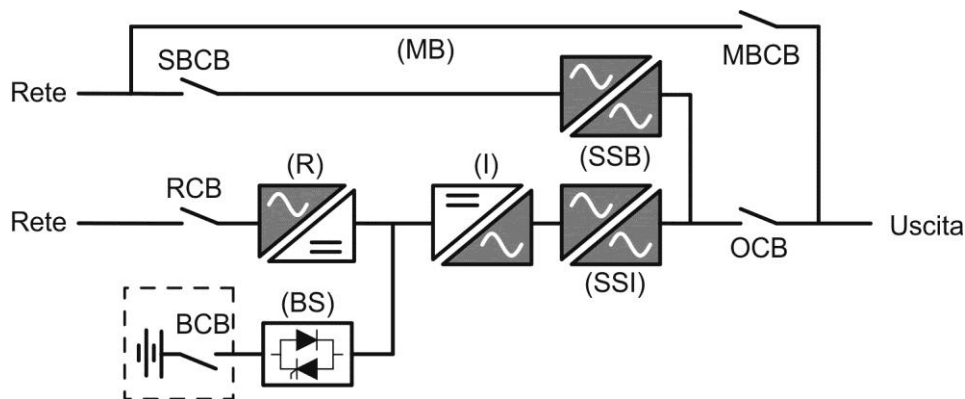


Figura 1 – Schema a blocchi

L'UPS è realizzato con tecnologia ad IGBT, ad elevata frequenza di commutazione, per consentire una bassa distorsione della corrente re-iniettata nella rete di alimentazione e un'alta qualità e stabilità della tensione di uscita. La componentistica utilizzata garantisce elevata affidabilità, altissima efficienza e facilità di manutenzione.

3.2 DESCRIZIONE DEL SISTEMA

3.2.1 Raddrizzatore

Il Raddrizzatore converte la tensione trifase di rete AC in tensione continua DC.

Utilizza un ponte trifase ad IGBT total-controllato a basso assorbimento armonico.

L'elettronica di controllo impiega un μP a 32 bit di ultima generazione che permette di ridurre la distorsione della corrente assorbita dalla rete (THDi) ad un valore inferiore al 3%. Questo garantisce, con riguardo agli altri carichi, che il raddrizzatore non distorca la tensione di rete ed evita il surriscaldamento dei cavi dovuto alla circolazione delle correnti armoniche.

Il raddrizzatore è dimensionato per alimentare l'inverter a pieno carico e la batteria alla massima corrente di ricarica.

3.2.2 Inverter

L'inverter converte la tensione continua proveniente dal raddrizzatore o dalla batteria DC, in tensione alternata AC, stabilizzata in ampiezza e frequenza.

L'inverter è realizzato con ponte di conversione a 3-livelli e tecnologia IGBT, in modo da lavorare ad una frequenza elevata di commutazione di circa 8 kHz.

L'elettronica di controllo impiega un μP a 32 bit di ultima generazione che, grazie alla sua potenza di elaborazione, permette di generare una perfetta sinusoide di uscita.

Inoltre il controllo della sinusoide di uscita completamente digitalizzato permette di raggiungere alte prestazioni tra le quali una distorsione in tensione molto bassa anche in presenza di carichi fortemente distorcenti.

3.2.3 Batteria e carica batteria

La batteria è installata esternamente e normalmente ubicata all'interno di un armadio.

La logica del carica-batteria è integrata all'interno dell'elettronica di controllo del raddrizzatore.

La batteria viene sottoposta ad un ciclo di carica, in accordo alle DIN41773, ogni volta che avviene una scarica parziale o totale. Al ripristino della completa capacità viene disconnessa dal bus DC per mezzo di un interruttore statico a SCR per risparmiare energia e ridurre lo stress dovuto al ripple AC, tutto al fine di aumentare la vita attesa. Tale modalità operativa è denominata *Green Conversion*.

Viene comunque periodicamente caricata, ma lo stato prevalente è quello di completo riposo.

3.2.4 Bypass statico

Il Bypass Statico permette di commutare il carico fra Inverter e Rete di Emergenza, e viceversa, in tempi brevissimi, ed utilizza SCR come elementi di commutazione di potenza.

3.2.5 Bypass manuale

Il Bypass manuale serve per sezionare completamente l'UPS in caso di manutenzione o disservizio, permettendo allo stesso tempo di alimentare il carico direttamente dalla rete d'ingresso.



Seguire le procedure riportate nel manuale

La manovra di inserimento del bypass manuale e ritorno deve essere eseguita rispettando la procedura riportata nella sezione di installazione e avviamento. Si declina ogni responsabilità da danni derivanti da manovre errate.



External manual bypass

Il sezionatore di bypass manuale non è previsto a bordo dell'UPS, ma è installato esternamente a cura dell'installatore.

3.3 STATI DI FUNZIONAMENTO

L'UPS ha cinque distinte modalità operative, descritte di seguito:

- Funzionamento normale
- Green Conversion
- Funzionamento da bypass
- Funzionamento da batteria
- Bypass manuale

3.3.1 Funzionamento normale

Durante il funzionamento normale tutti gli interruttori/sezionatori sono chiusi, eccetto MBCB (bypass di manutenzione).

Il raddrizzatore è alimentato dalla tensione di ingresso trifase AC, alimenta a sua volta l'inverter e compensa le variazioni della tensione di rete così come quelle di carico, mantenendo la tensione DC costante. Allo stesso tempo provvede a caricare la batteria. L'inverter converte la tensione DC in una sinusoide AC, stabilizzata in tensione e frequenza, e provvede ad alimentare il carico tramite il suo static switch SSI.

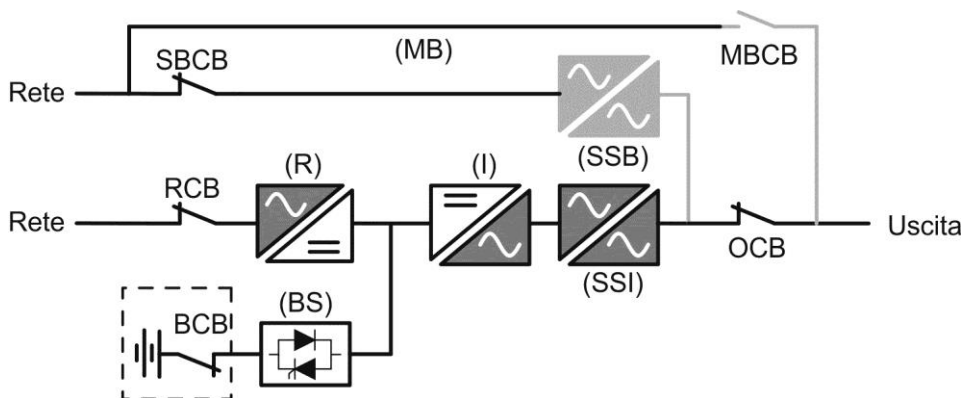


Figura 2 – Funzionamento normale

3.3.2 Green Conversion

Durante il funzionamento in modalità *Green Conversion* la batteria è disconnessa dalla sbarra DC per mezzo di un interruttore statico (vedi figura) e il raddrizzatore lavora a tensione DC ridotta; un algoritmo di controllo provvede a riconnettere periodicamente la batteria allo scopo di reintegrarne la capacità (carica intermittente).

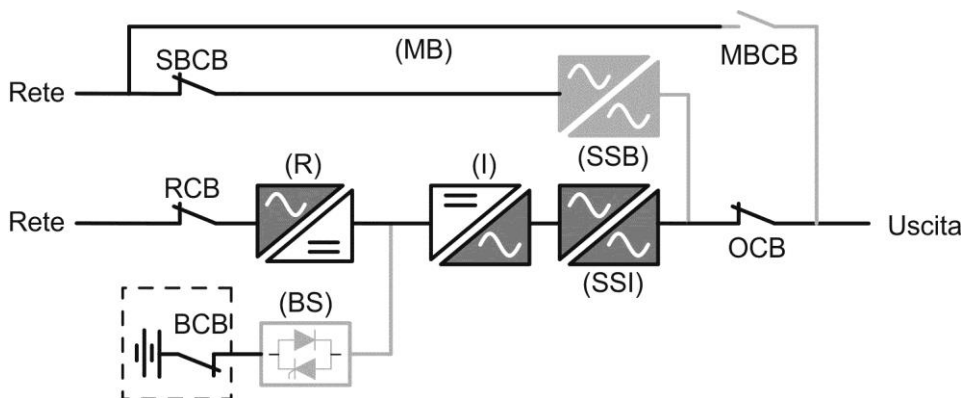


Figura 3 – Green Conversion

Quando è attivo l'algoritmo *Green Conversion* il raddrizzatore lavora a tensione DC ridotta e provvede solo ad alimentare l'inverter, dato la batteria è disconnessa dalla sbarra.

La condizione di carica delle batterie è controllata da uno specifico algoritmo. Nel caso in cui non ci siano eventi di mancanza rete, e quindi di scarica delle batterie, la logica di controllo provvede ad un ciclo di carica ogni 25 giorni. Il carica-batteria ripristina la capacità persa a causa del fenomeno di auto-scarica e rimane in carica di mantenimento per ulteriori 12 ore. Trascorso tale tempo l'interruttore statico di batteria viene aperto e la batteria è nuovamente disconnessa dalla sbarra.

Nel caso invece in cui ci sia un evento di scarica, la logica di controllo provvede al calcolo della capacità persa durante la scarica; al ripristino della rete viene avviato un ciclo di carica, al termine del quale il raddrizzatore rimane in carica di mantenimento per un tempo dipendente dalla percentuale di capacità persa, calcolata rispetto alla capacità nominale della batteria.

- Capacità persa è < 10% → Carica mantenimento per **12 ore**
- Capacità persa è compresa tra il 10% e il 20% → Carica mantenimento per **48 ore**
- Capacità persa è > 20% → Carica mantenimento per **96 ore**

Tali valori sono conformi alle raccomandazioni dei principali produttori di batterie.



Impostare il corretto valore di capacità

Il pannello frontale dell'UPS permette l'impostazione dei parametri di batteria, inclusa la capacità nominale. Considerata l'importanza che tale valore riveste per la corretta esecuzione dell'algoritmo di carica si raccomanda di accertarsi della correttezza del valore impostato.

3.3.3 Funzionamento da bypass

Il carico può essere trasferito sotto bypass sia automaticamente che manualmente. Il trasferimento manuale è dovuto al BYPASS SWITCH, che forza il carico su bypass. In caso di guasto della linea di bypass, il carico è trasferito nuovamente sotto inverter senza interruzione.

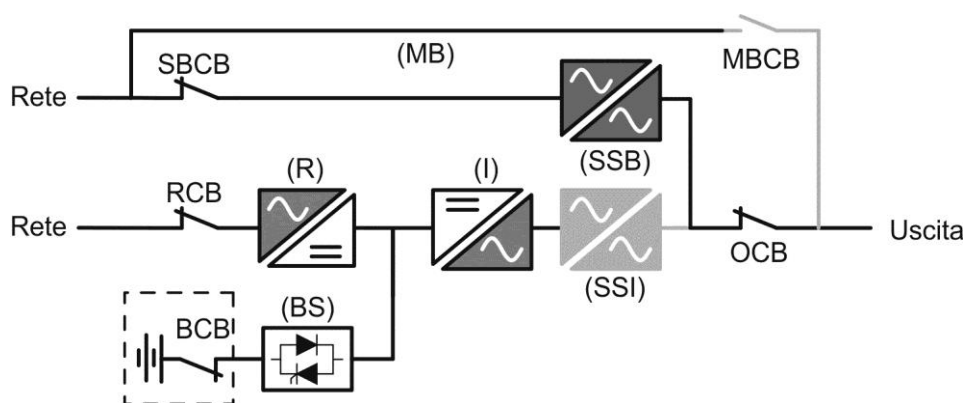


Figura 4 – Carico alimentato da bypass

3.3.4 Funzionamento da batteria

In caso di mancanza rete, o guasto raddrizzatore la batteria provvede senza interruzione ad alimentare l'inverter. La tensione di batteria scende in funzione dell'ampiezza della corrente di scarica; la caduta di tensione non ha alcun effetto sulla tensione di uscita che è tenuta costante variando la modulazione PWM. Un allarme viene attivato quando la batteria si avvicina al valore minimo di scarica.

Nel caso l'alimentazione venga ripristinata prima che la batteria sia completamente scarica, il sistema si riporta automaticamente in funzionamento normale. Nel caso inverso, l'inverter si arresta e il carico viene trasferito alla rete di bypass (funzionamento da bypass). Se la rete di bypass non è disponibile o fuori dai limiti di tolleranza l'alimentazione ai carichi viene interrotta appena la batteria raggiunge la soglia limite di scarica (*black-out*).

Appena viene ripristinata l'alimentazione il raddrizzatore provvede alla ricarica della batteria. Nella configurazione standard l'alimentazione ai carichi viene ripristinata appena la rete è nuovamente disponibile, ed avviene tramite l'interruttore statico SSB. Il riavvio dell'inverter avviene quando la batteria ha ripristinato parte della sua capacità.

La ripartenza del sistema dalla condizione di *black-out* può essere personalizzata sulla base delle esigenze dell'impianto in tre modalità differenti:

- Bypass → i carichi vengono alimentati appena la rete di bypass è disponibile (configurazione di fabbrica).
- Inverter → i carichi vengono alimentati dall'inverter (anche se la rete di bypass è disponibile) quando la tensione di batteria ha raggiunto la soglia programmata, successivamente al riavvio del raddrizzatore.
- Inverter Man. → l'alimentazione in uscita NON viene ripristinata automaticamente; il sistema chiede conferma del riavvio, che può essere effettuato solo manualmente da un operatore tramite pannello frontale.

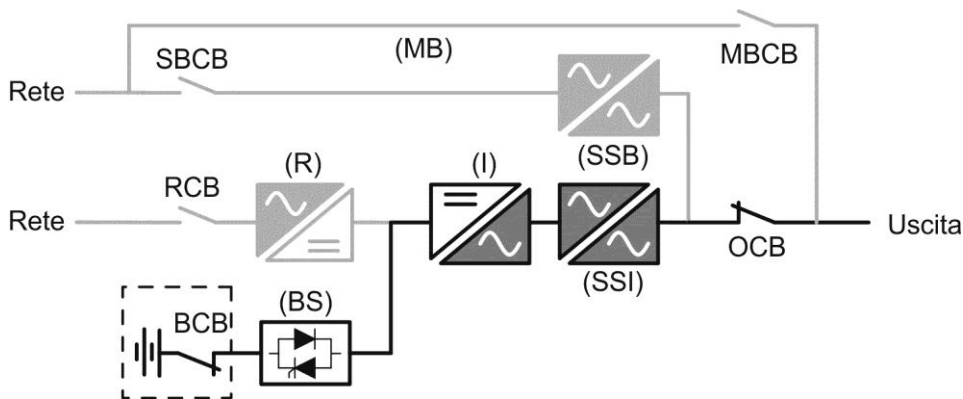


Figura 5 – Funzionamento da batteria

3.3.5 Bypass manuale

Il funzionamento in bypass manuale è necessario ogni volta che si voglia provare la funzionalità dell'UPS, oppure durante lavori di manutenzione o riparazione.

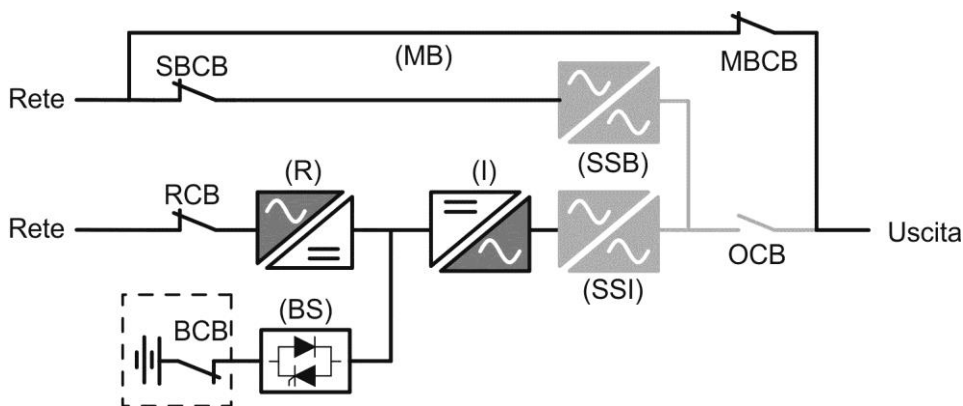


Figura 6 – Bypass manuale per prove funzionali



Seguire le procedure riportate nel manuale

La manovra di inserimento del bypass manuale e ritorno deve essere eseguita rispettando la procedura riportata nella sezione di installazione e avviamento. Si declina ogni responsabilità da danni derivanti da manovre errate.



Cablaggio dei contatti ausiliari

Durante l'installazione elettrica prestare cura al cablaggio dei contatti ausiliari degli isolatori di bypass manuale, uscita e batteria che vanno collegati agli appositi morsetti sull'UPS. In questo modo la logica di controllo acquisisce lo stato degli interruttori per guidare l'operatore durante le procedure di avvio e bypass manuale.

Per maggiori informazioni fare riferimento alla sezione "Installazione e avviamento".

Durante il bypass manuale per riparazione o manutenzione l'UPS è completamente spento e il carico è alimentato direttamente dalla rete di bypass.

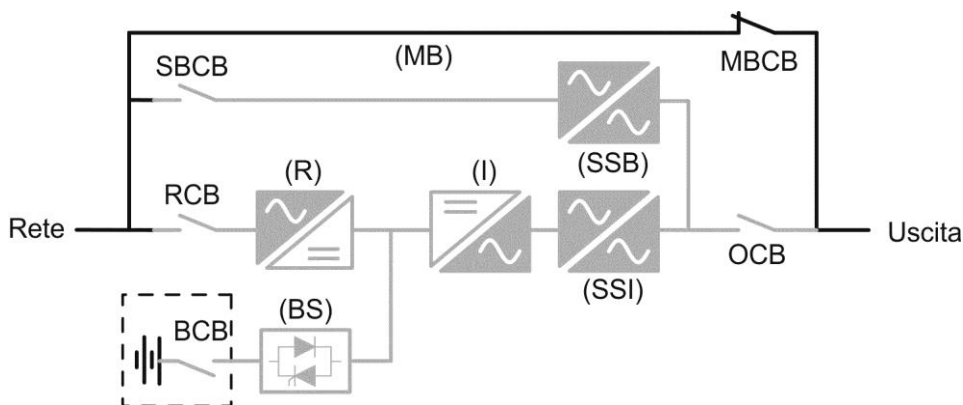


Figura 7 – By-pass manuale per manutenzione o riparazione

3.4 COMANDI E ORGANI DI MANOVRA

I comandi e gli organi di manovra dell'UPS sono indicati di seguito:

- Sezionatore ingresso raddrizzatore (RCB)
- Sezionatore ingresso bypass statico (SBCB)
- Sezionatore uscita UPS (OCB)
- Sezionatore di bypass manuale (MBCB)
- Sezionatore / Interruttore di batteria (BCB) - Esterno, nell'armadio batterie
- Pulsante di arresto di emergenza (EPO)
- Selettore Normale/Bypass
- Pannello di comando LCD



Verificare l'addestramento del personale

L'utilizzo degli organi di manovra e comando dell'UPS è destinato a personale autorizzato. Si consiglia di verificare l'addestramento del personale addetto all'utilizzo e alla manutenzione del sistema.

3.4.1 Sezionatori

I sezionatori previsti sull'UPS servono per isolare la parte di potenza del dispositivo dalla rete AC di alimentazione, dalla batteria di accumulatori e dai carichi.



Presenza di tensione sui terminali

I sezionatori non isolano completamente l'UPS, all'interno del quale sono ancora presenti le tensioni della rete AC e della batteria sui terminali. Prima di effettuare qualsiasi intervento di manutenzione sull'apparato provvedere a:

- isolare completamente il dispositivo azionando gli interruttori esterni;
- attendere almeno 5 minuti per far scaricare i condensatori.

3.4.2 Comando di arresto di emergenza (EPO)

Il comando di arresto di emergenza, situato sulla tastiera del pannello frontale, viene utilizzato per disconnettere immediatamente l'uscita dell'UPS disalimentando i carichi e provvede inoltre a spingere l'inverter.



Azionare il comando solo in caso di vera emergenza

I componenti del sistema vengono sollecitati fortemente in caso di manovra del comando di arresto di emergenza sotto carico.

- Utilizzare il comando di arresto di emergenza solo in caso di vera emergenza.



Ripristino alimentazione

Ripristinare l'alimentazione in uscita solamente quando le cause che hanno portato all'arresto di emergenza sono state eliminate e si è certi che non ci siano pericoli per le persone o le cose.

3.4.3 Selettore Normale/Bypass

Il selettore Normale/Bypass è montato esternamente sul retro dell'UPS. Viene generalmente utilizzato durante la procedura di bypass manuale, quando è necessario isolare l'UPS per manutenzione o riparazione.



Seguire le procedure riportate nel manuale

Il selettore Normale/Bypass deve essere manovrato solamente in accordo alle procedure riportate nella sezione di installazione e avviamento. Si declina ogni responsabilità da danni derivanti da manovre errate.

3.4.4 Pannello di comando LCD

Il pannello di comando dell'UPS è utilizzato per:

- Verificare i parametri di funzionamento del dispositivo
- Verificare gli allarmi presenti
- Accedere allo storico eventi
- Visualizzare le informazioni sul dispositivo
- Modificare parametri operativi

Il menù che permette la modifica dei parametri è protetto da password per evitarne l'accesso a personale non autorizzato.

4 PANNELLO DI CONTROLLO

Il pannello di controllo dell'UPS è un *touch screen* da 10.1", che comunica con la logica di controllo del modulo I/O su protocollo seriale. La pagina principale (**Home**) mostra il diagramma di flusso del sistema, dal quale è possibile visualizzare tutte le variabili operative dell'UPS.

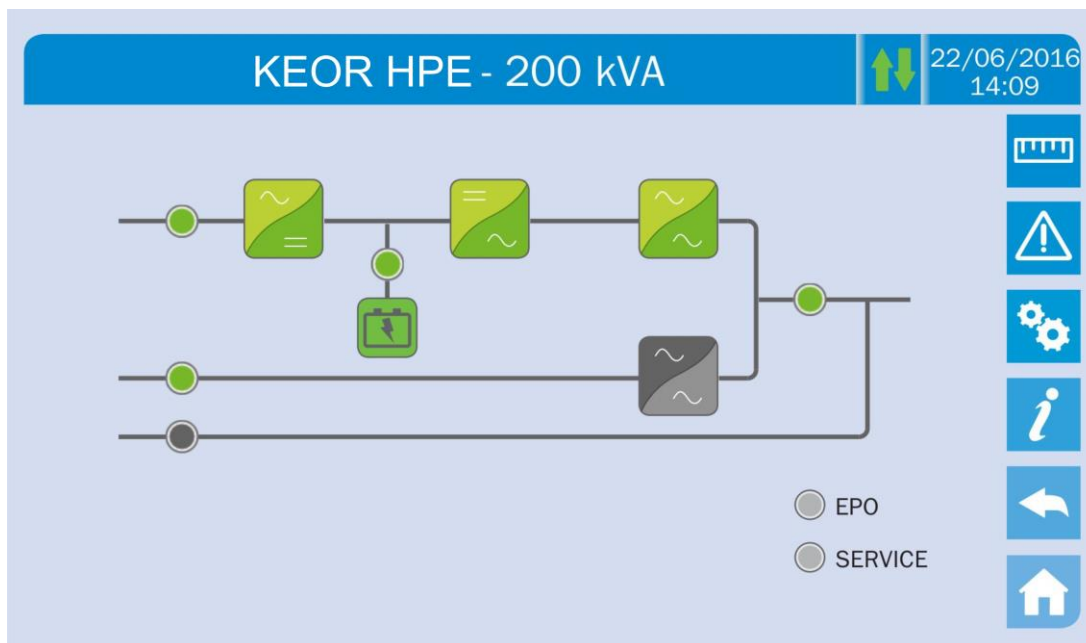


Figura 8 – Pannello frontale UPS, schermata Home

4.1 ICONE

Il *touch screen* è provvisto di 6 icone sulla parte destra dello schermo che permettono la navigazione, e di un'icona di controllo della comunicazione.

Icona	Funzioni assegnate
<i>Misure</i>	Entra nella sezione Misure
<i>Allarmi</i>	Entra nella sezione Allarmi e resetta il buzzer se attivo
<i>Speciale</i>	Entra nella sezione Impostazioni
<i>Info</i>	Entra nella sezione Informazioni
<i>Indietro</i>	Torna indietro di una pagina
<i>Home</i>	Torna alla pagina Home
<i>Comunicazione</i>	Controlla la comunicazione fra il pannello e la logica di controllo

4.1.1 Colori delle icone

Le icone possono assumere colori diversi in base alla condizione operativa dell'UPS; in generale i colori base sono:

- Blu chiaro → Indica che quella determinata sezione è relativa all'UPS.
- Grigio → I tasti diventano di colore grigio (disabilitati) quando si è all'interno di quella specifica sezione.
- Rosso → Solamente il tasto **Allarmi** può diventare di colore rosso, in presenza di allarmi.

Per quanto riguarda l'icona *Comunicazione*, diventa rossa se c'è un errore di comunicazione fra il *touch screen* e la logica di controllo dell'UPS.

5 TOUCH SCREEN – GESTIONE DELL'UPS

La gestione dei parametri dell'UPS è possibile entrando nelle varie sezioni del pannello di controllo direttamente dalla pagina *Home*.

5.1 VISUALIZZAZIONE DELLE MISURE

Premere sull'icona *Misure* per accedere alla pagina principale.

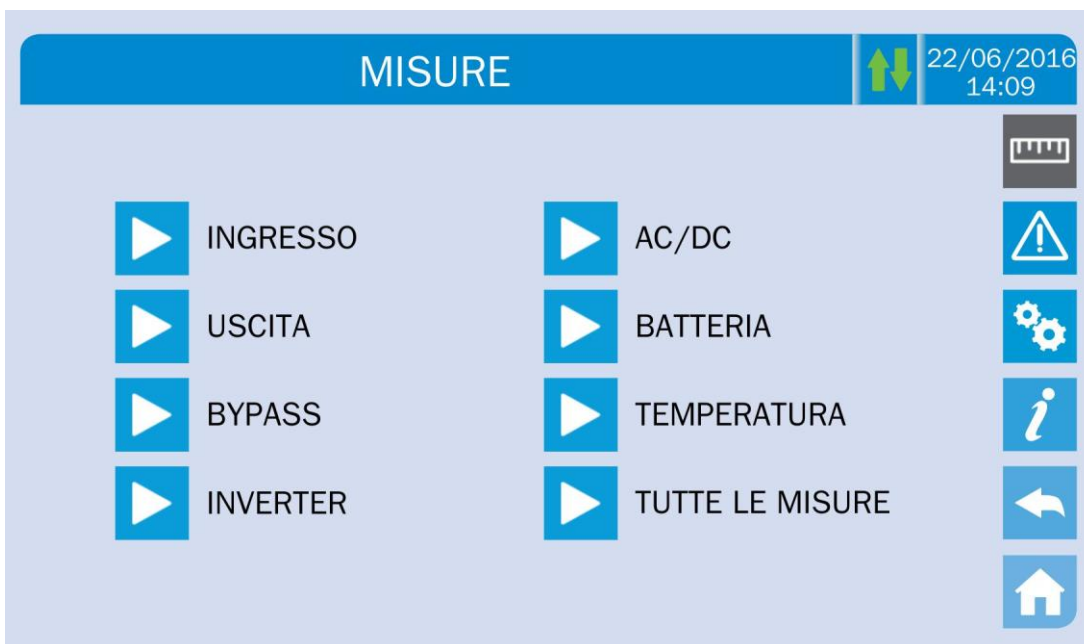


Figura 9 – Sezione MISURE

Premendo su una delle frecce si entra nella visualizzazione delle misure di quella specifica sezione dell'UPS. Una tipica schermata *Misure* è mostrata di seguito.



Figura 10 – Misure Ingresso

Di seguito l'elenco di tutte le misure disponibili.

Sotto-menu	Dati visualizzati	Accuratezza
INGRESSO	Tensione ingresso raddrizzatore ⁽¹⁾	1 V
	Corrente ingresso raddrizzatore	1 A
	Frequenza	0,1 Hz
	Potenza di ingresso	1 kVA
USCITA	Tensione ⁽¹⁾	1 V
	Corrente	1 A
	Percentuale di carico	1 %
	Potenza attiva	1 kW
	Potenza apparente	1 kVA
	Frequenza	0,1 Hz
BYPASS	Tensione ⁽¹⁾	1 V
	Frequenza	0,1 Hz
INVERTER	Tensione ⁽¹⁾	1 V
	Frequenza	0,1 Hz
AC / DC	Tensione uscita raddrizzatore	1 V
BATTERIA	Tensione e corrente	1 V / 1 A
	Capacità nominale	1 Ah
	Autonomia residua	1 min / 1 %
TEMPERATURE ⁽²⁾	Batteria	0,1° C
	UPS	0,1° C

⁽¹⁾ Le misure di tensione sono sempre riferite tra fase e neutro

⁽²⁾ Le temperature sono visualizzate solo se la relativa sonda è installata

5.2 DIAGNOSTICA DI BASE

La pressione dell'icona *Allarmi* visualizza la pagina relativa alla selezione dello stato di funzionamento dell'UPS o dello storico eventi.

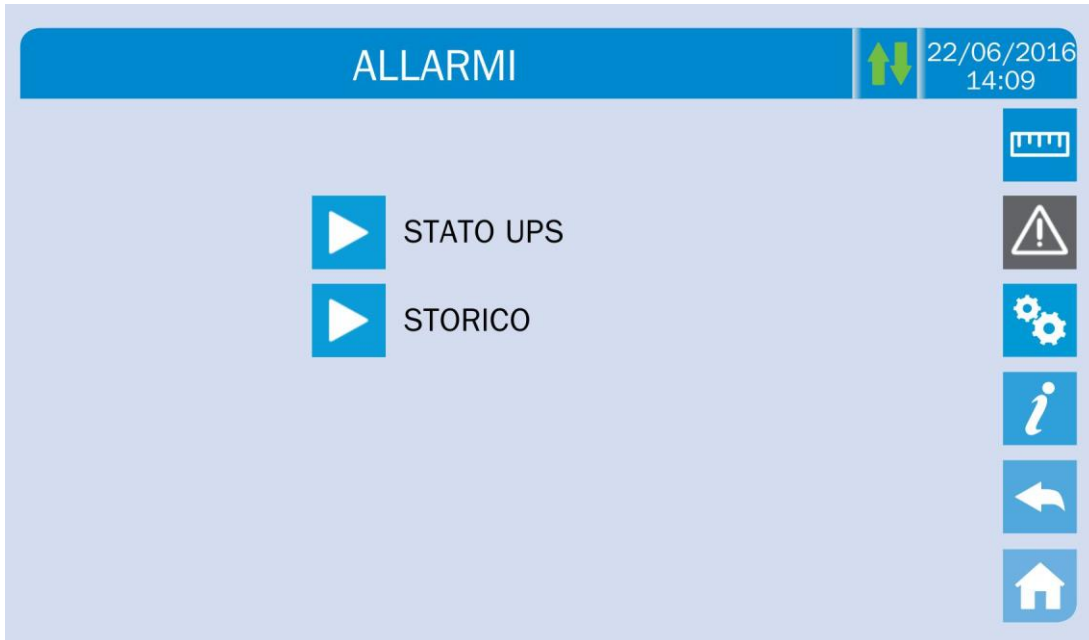


Figura 11 – Sezione ALLARMI

5.2.1 Visualizzazione dello stato di funzionamento

Premere su *Stato UPS* per visualizzare lo stato di funzionamento dell'UPS, inclusi eventuali allarmi presenti.

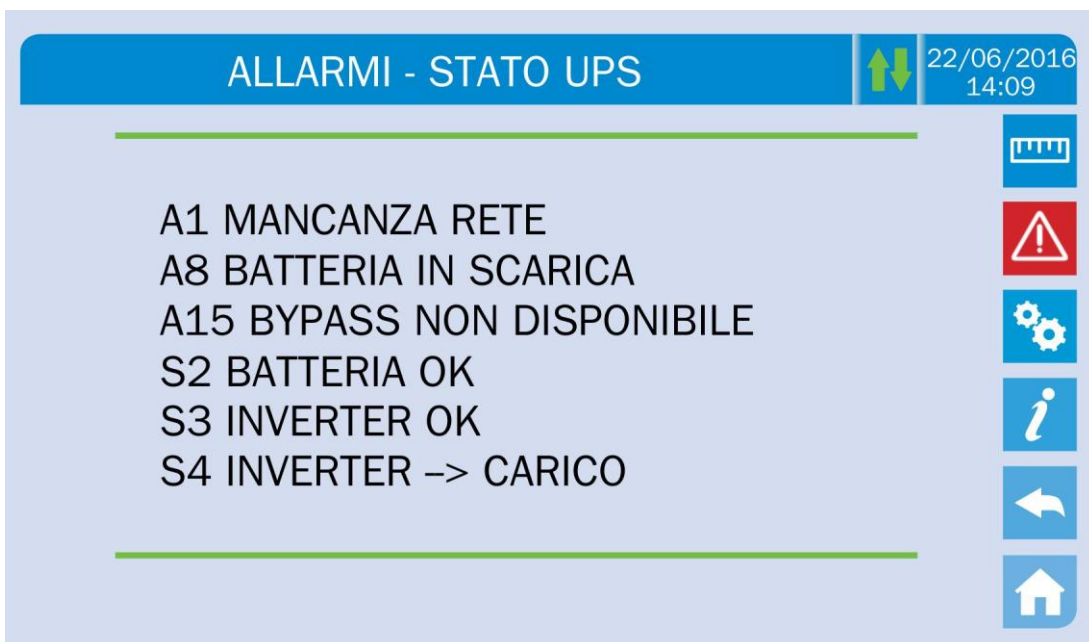







Figura 12 – Sezione ALLARMI

Viene visualizzato lo stato attuale del sistema che può essere scorso con uno *slide* sullo schermo nel caso le righe non entrino nella prima schermata.

5.2.2 Colore delle icone

Le icone *Allarmi* e Home assumono colori diversi a seconda della condizione operativa e della pagina visualizzata.

Icona	Colore	Significato
	<i>Blu chiaro</i> <i>Blu scuro</i>	Nessun allarme presente
	<i>Grigio</i>	Nessun allarme presente Si sta visualizzando una pagina della sezione <i>Allarmi</i>
	<i>Rosso</i>	Allarme presente; se è presente un allarme in un modulo di potenza la relativa icona nel sinottico diventa di colore <i>Arancio</i> o <i>Rosso</i>
	<i>Blu chiaro</i>	Nessun allarme presente
	<i>Rosso</i>	Allarme presente nel modulo I/O mentre si sta visualizzando una pagina nella sezione di uno dei moduli di potenza

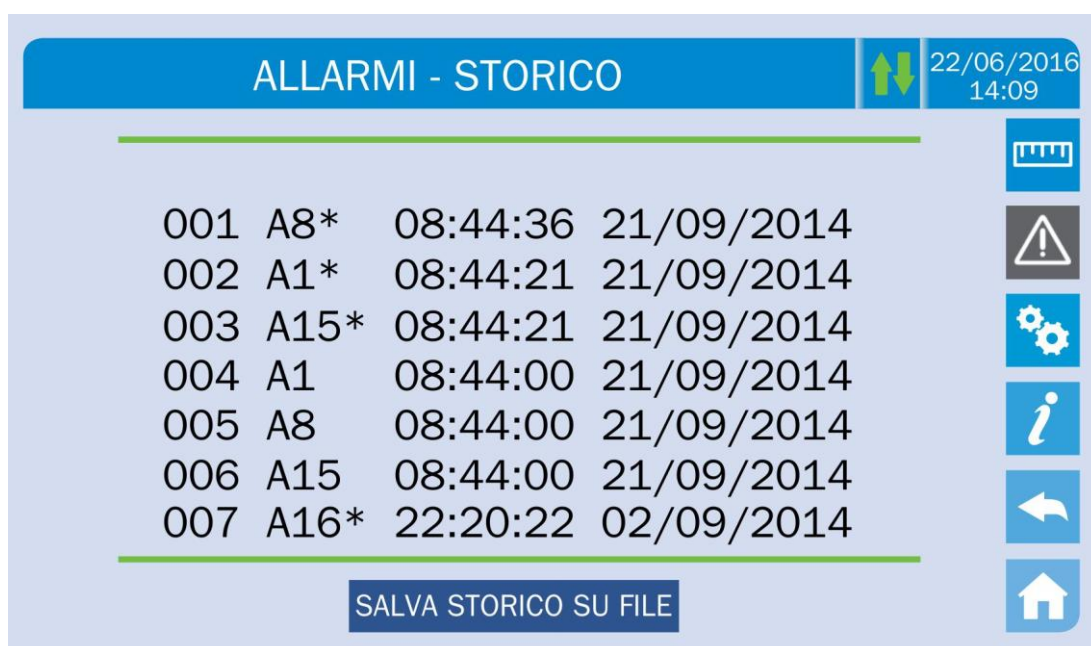
Il segnalatore acustico, se abilitato, viene attivato per indicare l'avvenuta anomalia. La tacitazione viene effettuata premendo sull'icona *Allarmi*.



Cancellazione automatica allarmi

Nell'eventualità che un allarme si presenti e poi vengano meno le condizioni che lo hanno provocato, la cancellazione è automatica, così come il riavvio del sistema.

5.2.3 Visualizzazione dello storico allarmi



ALLARMI - STORICO 22/06/2016 14:09

001	A8*	08:44:36	21/09/2014
002	A1*	08:44:21	21/09/2014
003	A15*	08:44:21	21/09/2014
004	A1	08:44:00	21/09/2014
005	A8	08:44:00	21/09/2014
006	A15	08:44:00	21/09/2014
007	A16*	22:20:22	02/09/2014

SALVA STORICO SU FILE

Figura 13 – Storico allarmi, pagina 1

Il primo evento visualizzato è l'ultimo in ordine di tempo; un nuovo evento fa scorrere automaticamente gli altri di una posizione ed elimina l'evento più vecchio.

Su ogni riga sono riportati rispettivamente il dato visualizzato al momento (posizione nella lista) il codice dell'allarme e data e ora; un asterisco indica il reset automatico dell'allarme.

Il numero massimo di eventi visualizzabili è pari a 250.

L'elenco degli eventi è una lista a scorrimento che può essere scorsa con uno *slide* sullo schermo.

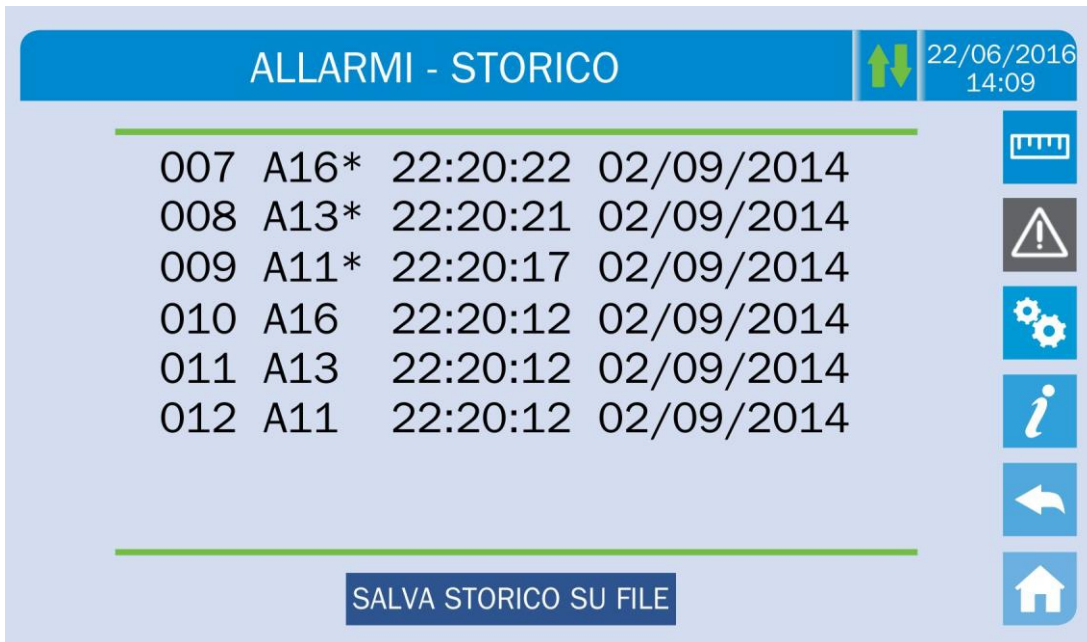


Figura 14 – Storico allarmi, pagina 2

La pressione sul pulsante *Salva storico su file* apre la seguente pagina.



Figura 15 – Storico allarmi, salvataggio file

Il *touch screen* riconosce automaticamente l'inserimento di un supporto di memoria esterno (USB stick o scheda SD) e cambia il colore della rispettiva icona da grigio (disabilitato) a blu chiaro (abilitato).

Viene salvato un file di testo che riporta tutte le stesse informazioni disponibili nelle schermate, integrate dalla descrizione dell'evento.

5.2.4 Lista degli allarmi e degli stati

ALLARMI

A1	MANCANZA RETE	A31	MBCB BUS CHIUSO
A2	ER SENSO CICL ING	A32	EPO BUS
A3	RADD SPENTO	A33	CARICO ASIMMETR
A4	ANOMALIA RADD	A34	RICHIESTA SERV
A5	TENS DC ERRATA	A35	BATT DIESEL MODE
A6	BATTERIA IN TEST	A36	SPEGNIM VELOCE
A7	BCB APERTO	A38	INV --> CARICO
A8	BATTERIA IN SCAR	A39	ERRORE LOOP INV
A9	FINE AUT BATTERIA	A40	ANOMALIA SSI
A10	ANOMALIA BATT	A41	ERR LOOP TEN RAD
A11	CORTO CIRCUITO	A44	DESATURAZIONE
A12	STOP TIMEOUT CC	A45	ALTA TEMPERATURA SSW
A13	INV FUORI TOL	A46	PERDITA RIDOND
A14	ER SENSO CIC BYP	A47	ERR INVIO PARAM
A15	BYPASS NON DISP	A48	ERR RIC PARAM EE
A16	BYP --> CARICO	A49	DISCOR TEST MODE
A17	RITRASFI BLOC	A51	TEMPERATURA BATT
A18	MBCB CHIUSO	A52	INVERTER BLOCCATO
A19	OCB APERTO	A53	ER COMP FIRMWARE
A20	SOVRACCARICO	A54	ERRORE CAN
A21	IMMAGINE TERMICA	A55	CAVO PAR DISC
A22	BYPASS SWITCH	A56	TERNA SBILANCIATA
A23	EPO CHIUSO	A57	CORR INGRESSO SBILANCIATA
A24	ALTA TEMPERATURA	A58	CORR INVERTER SBILANCIATA
A25	INVERTER SPENTO	A59	RELE BACKFEED ON
A26	PERDITA COMUNIC	A61	PERDITA ALIM RIDONDATA
A27	ERRORE EEPROM	A62	OV MAINS
A28	GUASTO CRITICO	A63	SEQ AVVIO BLOCCATA
A29	MANUTENZ PROGRAM	A64	UV MAINS
A30	ALLARME GENERALE		

STATI

S1	BOOSTER OK	S8	INV MASTER SINCRO
S2	BATTERIA OK	S10	RADDRIZZATORE STANDBY
S3	INVERTER OK	S11	INVERTER STANDBY
S4	INV --> CARICO	S12	BATTERIA STANDBY
S5	INV BYPASS SINCRO	S14	BATT CARICA I
S6	BYPASS OK	S15	BATT CARICA U
S7	BYPASS --> CARICO		



Modalità visualizzazione e registrazione allarmi

- Quando si entra nella sezione ALLARMI – STATI gli stati vengono visualizzati sempre in ordine crescente.
 - Gli allarmi vengono mostrati quando si presentano e devono essere tacitati con il buzzer.
 - Gli allarmi restano visibili finché sono presenti e vengono registrati automaticamente nello storico eventi, con data e ora.
-



Descrizione degli allarmi e degli stati

Per una descrizione più approfondita degli allarmi e degli stati vedere la sezione del presente manuale "Guasti e allarmi".

5.3 IMPOSTAZIONI E OPERAZIONI AVANZATE

La pressione sull'icona *Speciale* visualizza la pagina di accesso alla sezione impostazioni, protetto da password.

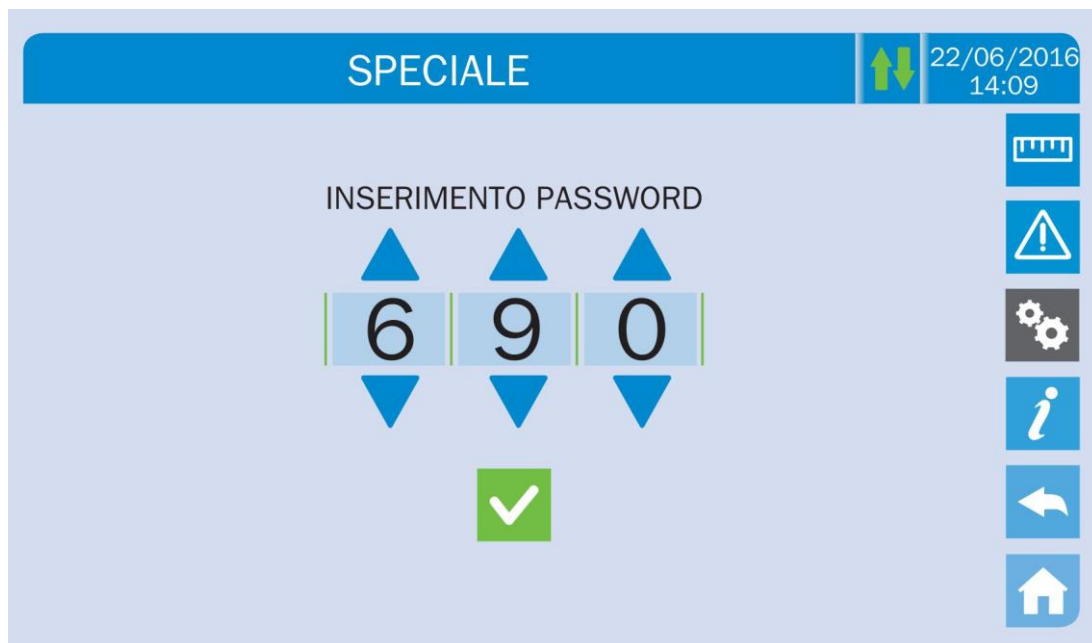


Figura 16 – Password di accesso alle impostazioni



Figura 17 – Sezione SPECIALE, pagina 1

La presenza di una freccia nella barra principale in alto indica che nella sezione sono presenti ulteriori pagine.



Figura 18 – Sezione SPECIALE, pagina 2



Accesso protetto da password

La sezione IMPOSTAZIONI è protetta da una password impostata in fabbrica per impedire l'accesso a personale non autorizzato.

- Si raccomanda la minima divulgazione della password di accesso.
- Modifiche ai parametri operativi e avvio di operazioni sull'UPS possono essere potenzialmente pericolose per il dispositivo stesso e per le persone.

5.3.1 Reset dispositivo

L'UPS è provvisto di protezioni interne che provvedono al blocco del sistema o di alcune sue sezioni. Tramite il menu *RESET DISPOSITIVO* è possibile sbloccare l'allarme e ripristinare il funzionamento normale. Nel caso l'anomalia persista l'UPS si riporta nella condizione di blocco precedente.

In alcuni casi il RESET è necessario per ripristinare semplicemente una segnalazione di anomalia, quindi l'UPS continua a funzionare. Le condizioni di blocco che impongono un reset manuale sono:

- Intervento allarme di avaria batteria (allarme A10)
- Blocco ritrasferimento interruttore statico (allarme A17)
- Richiesta manutenzione programmata (allarme A29)
- Arresto booster per intervento del sensore di simmetria del carico (allarme A33)
- Arresto inverter per errore loop di controllo tensione (allarme A39)
- Arresto booster per errore loop di controllo tensione (allarme A41)
- Arresto booster per errore loop di controllo corrente (allarme A43)
- Blocco remoto del booster dei singoli moduli (allarme A57)

- Blocco per disconnessione di un cavo parallelo (allarme A50)
- Blocco per disconnessione di due cavi di parallelo (allarme A55)
- Riavvio del sistema a seguito EPO da pannello

Ci sono delle particolari condizioni di blocco dei singoli moduli che devono essere ripristinate entrando direttamente nella sezione *Speciale* dei singoli moduli (vedi relativo paragrafo).

Per la descrizione dello stato dell'UPS in ciascuna delle condizioni di blocco elencata in precedenza fare riferimento alla sezione "Guasti e allarmi".

5.3.2 Impostazione di data e ora

La data e l'ora possono essere impostate dalla pagina *OROLOGIO*.



Figura 19 – Impostazione manuale orologio



Impostare correttamente data e ora correnti

La corretta impostazione della data e dell'ora è fondamentale per la registrazione dello storico eventi.

Il sistema permette anche l'impostazione di un server NTP per la sincronizzazione della data e dell'ora. Premendo sul pulsante *Disabilitato* si abilita tale modalità di configurazione e non sarà più possibile impostare i dati manualmente.



Figura 20 – Impostazione automatica orologio

I parametri di accesso al server NTP possono essere configurati dalla sezione *Configurazione rete* del menu *Speciale*. Nel caso non ci sia risposta dal server, oppure manchi la connessione LAN, apparirà il messaggio di errore *NTP ERROR*.

5.3.3 Impostazione lingua del display

La schermata seguente mostra i linguaggi impostabili per il display.



Figura 21 – Impostazione lingua

La selezione della lingua si effettua premendo su una delle bandiere.

5.3.4 Reset storico allarmi

Per cancellare lo storico eventi selezionare la sezione *RESET STORICO* e confermare l'operazione nella schermata successiva.



Perdita di dati

Lo storico eventi contiene dati molto importanti per monitorare il comportamento del dispositivo nel tempo. Si consiglia di provvedere al salvataggio dei dati prima di effettuare la cancellazione.

5.3.5 Impostazione parametri di interfaccia utente RS485

All'interno del menu *MODBUS RS485* possono essere impostati i parametri relativi alla comunicazione tramite supporto RS485.

La sezione consente l'impostazione dell'indirizzo, la modalità di comunicazione e la velocità di trasmissione dati della RS485.

5.3.6 Nuova batteria

La sezione *NUOVA BATT* serve nel caso in cui durante la fase di avvio non venga chiuso l'interruttore di batteria BCB quando richiesto. In tal caso il sistema si avvia considerando la batteria completamente scarica e attivando l'allarme "A10 – ANOMALIA BATT". Per impostare l'autonomia della batteria al 100% è necessario accedere alla pagina e confermare l'operazione nella schermata di verifica. Nel caso che la configurazione della batteria sia distribuita, tale sezione è disabilitata e presente invece nelle impostazioni dei singoli moduli di potenza.

5.3.7 Impostazioni batteria

Nel caso che l'UPS sia stato collaudato senza che fossero noti i dati caratteristici della batteria di accumulatori la sezione *IMPOSTAZ BATTERIA* permette l'impostazione degli stessi. Si accede ai singoli parametri impostabili dalla schermata seguente.

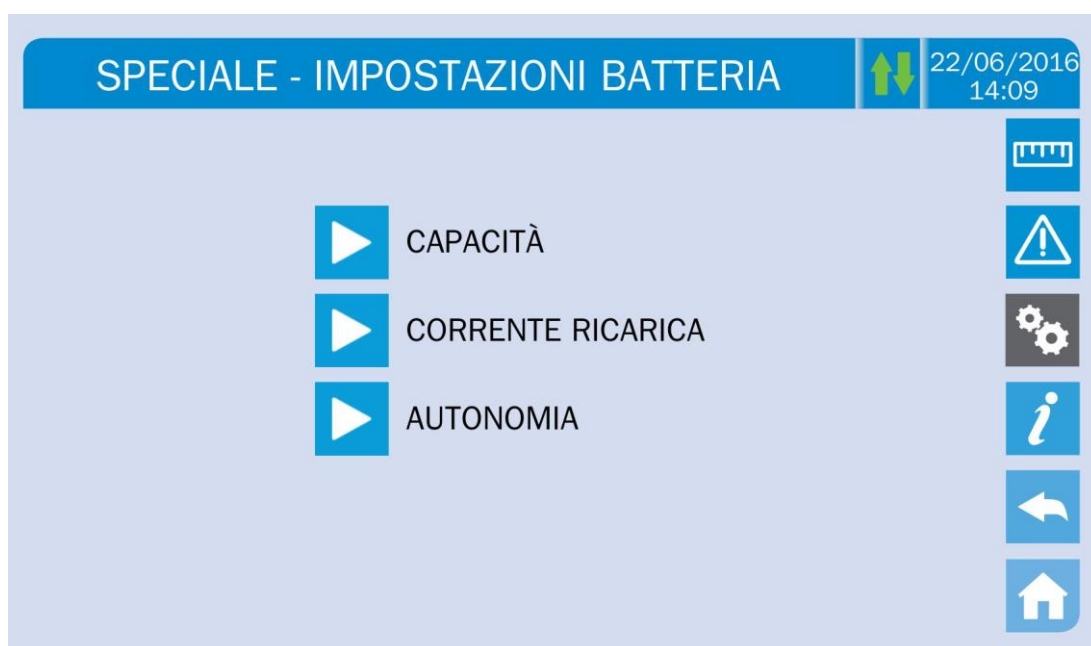


Figura 22 – Impostazione parametri batteria

Le varie schermate di impostazione dei parametri sono simili fra loro e richiedono l'inserimento dei valori e la conferma; per riferimento si riporta la schermata di configurazione della capacità di batteria.

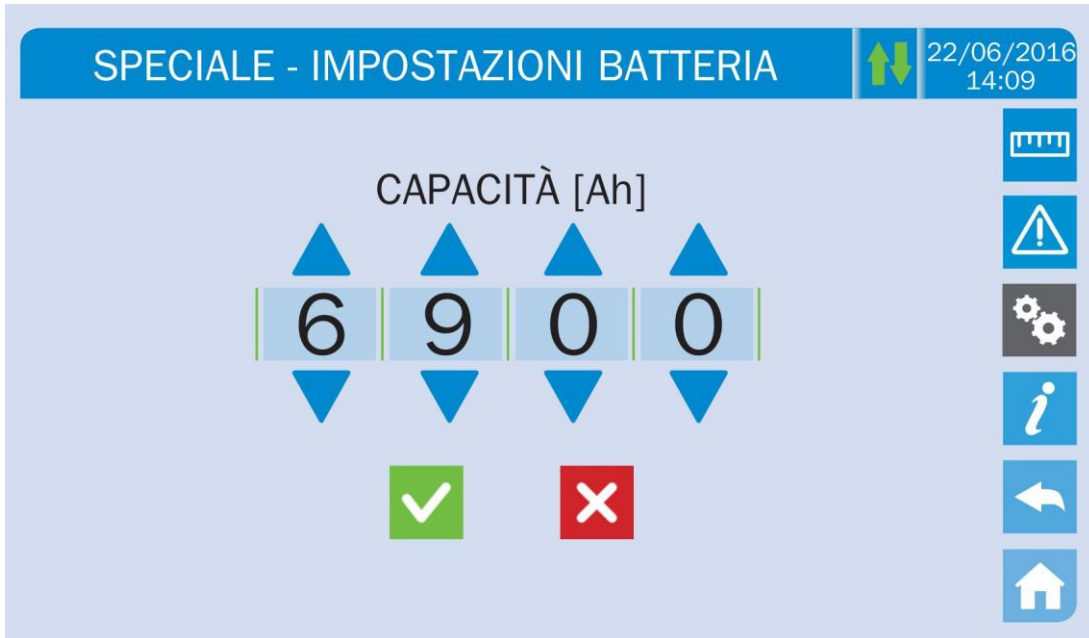


Figura 23 – Impostazione capacità batteria centralizzata

5.3.8 Test batteria

La sezione TEST DI BATTERIA permette di effettuare una breve prova di scarica della batteria. Nel caso la batteria non sia efficiente al termine del test viene generato l'allarme "A10 – ANOMALIA BATT".



Possibile perdita di alimentazione

Questo test può essere rischioso per la continuità sui carichi se la batteria non è pienamente carica.

5.3.9 Impostazione parametri di rete del touch screen

Tramite la sezione CONFIG RETE è possibile configurare i parametri relativi alla rete LAN e ai server di sincronizzazione dell'ora di sistema.

Tutti i parametri impostabili in questa sezione sono relativi alle porte di comunicazione (LAN e RS485) disponibili sul touch screen.

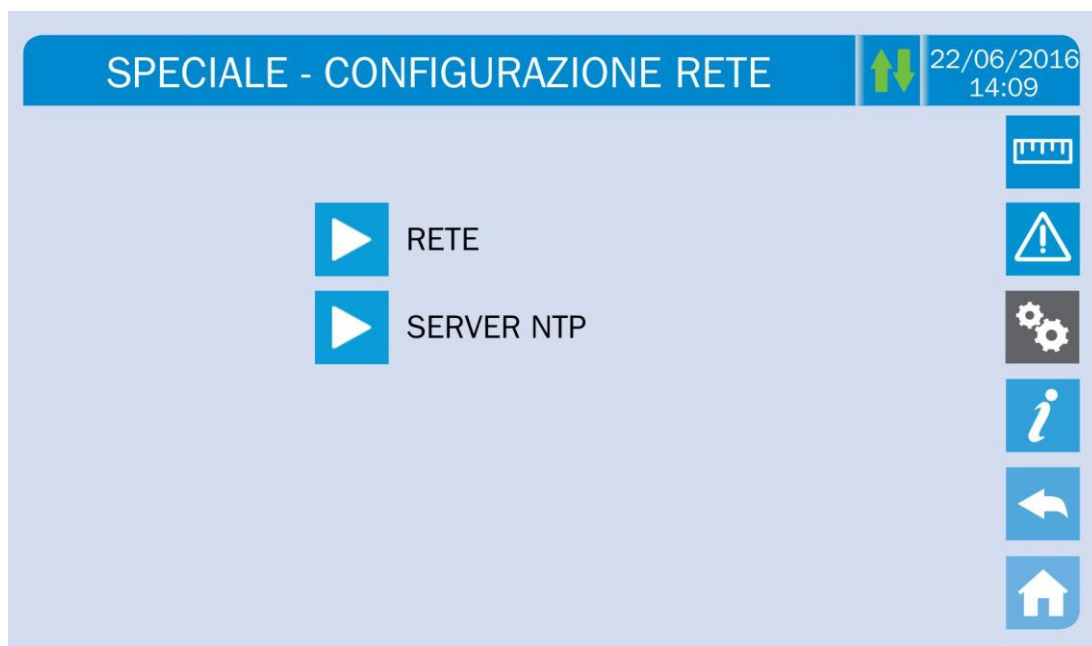


Figura 24 – Impostazione parametri di rete del touch screen

5.3.9.1 Impostazione parametri LAN

Per quanto riguarda la rete LAN i parametri configurabili sono:

- Indirizzo IP
- Network mask
- Network gateway
- Server DNS primario
- Server DNS secondario
- Abilitazione / Disabilitazione DHCP

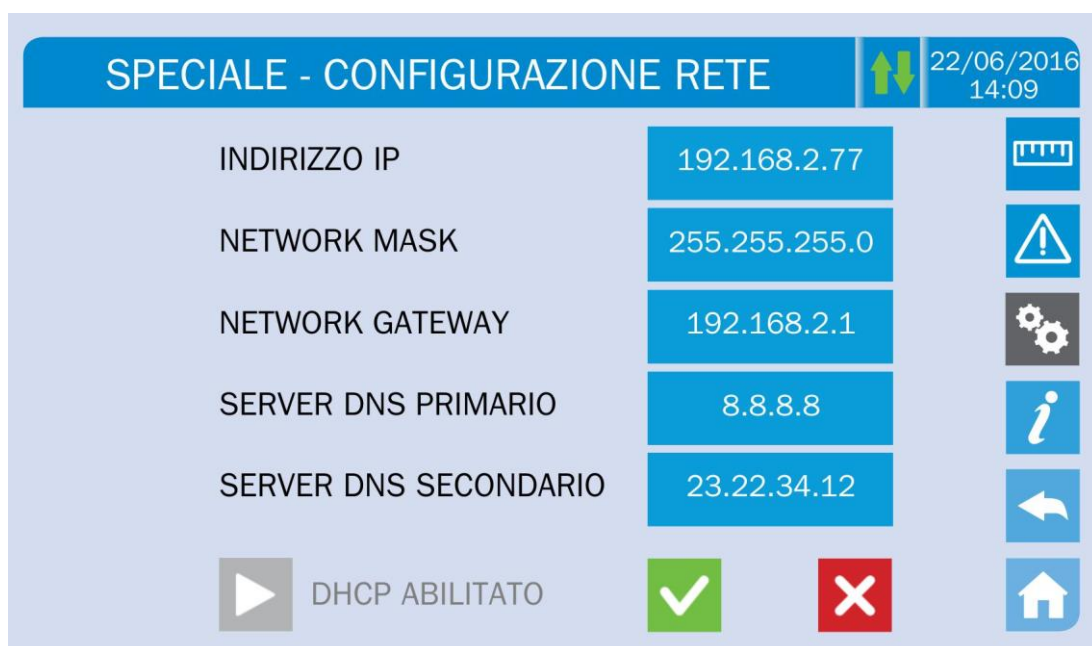


Figura 25 – Impostazione parametri LAN

5.3.9.2 Impostazione parametri NTP

Per quanto riguarda il servizio NTP i parametri configurabili sono:

- Indirizzo server NTP primario
- indirizzo server NTP secondario
- Abilitazione / Disabilitazione NTP

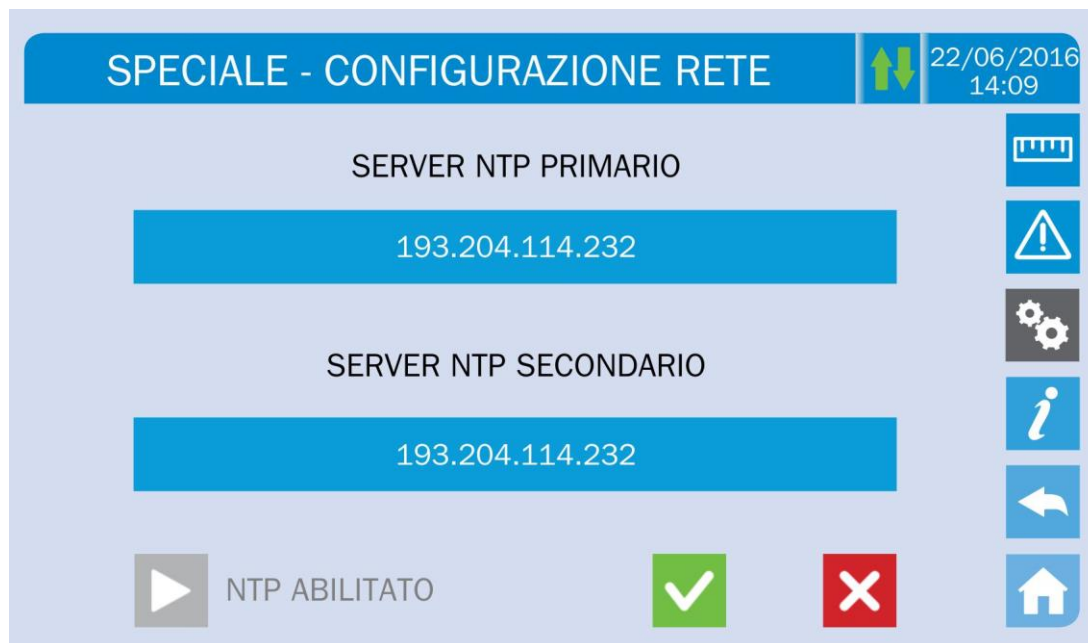


Figura 26 – Impostazione parametri NTP

5.3.9.3 Modifica dei parametri

La modifica dei parametri si effettua premendo sul campo che si desidera variare; il parametro apparirà su una stringa modificabile in alto nella schermata unitamente ad un tastierino numerico.



Figura 27 – Modifica parametri numerici

I campi relativi ai server NTP possono essere numerici (indirizzo IP del server remoto) oppure formati da testo quando il server remoto è raggiungibile su un indirizzo web. In tal caso il tastierino che compare nella schermata è di tipo completo.



Figura 28 – Modifica parametri indirizzi NTP

5.3.10 Modifica modalità operativa – ECO MODE

La sezione *ECO MODE* permette la modifica della modalità operativa dell'UPS dal funzionamento VFI – Voltage Frequency Independent (on-line doppia conversione) a quello VFD – Voltage Frequency Dependent. In tale modalità il carico è alimentato direttamente dalla rete AC e l'inverter è acceso, pronto a subentrare in caso di anomalia della rete. La commutazione avviene in un tempo massimo pari a 10 ms.

La stabilità delle rete AC è controllata da uno specifico algoritmo che provvede a disattivare automaticamente la modalità *ECO MODE* nel caso in cui la tensione o la frequenza non risultino conformi con i requisiti programmati.



Modifica modalità di funzionamento dell'UPS – ECO MODE

L'operazione di modifica della modalità operativa dell'UPS è riservata a personale addestrato.

Prima di impostare il sistema in *ECO MODE* verificare che il carico sia adatto a tale modalità e che quindi sopporti eventuali interruzioni di tensioni di durata inferiore a 10 ms.

Si raccomanda di operare sotto la supervisione di personale del costruttore o dietro a sue specifiche indicazioni.

Il costruttore non si assume alcuna responsabilità per eventuali danni dovuti ad imperizia o inesperienza del personale addetto alle manovre.

5.4 INFORMAZIONI SUL SISTEMA

Il menu *INFO* fornisce informazioni generali sull'UPS; premere sull'icona relativa per accedere alla schermata principale.



Figura 29 – Menu INFO

Tutti i dati mostrati all'interno delle varie sezioni sono impostati in fabbrica tramite apposito software di interfaccia e non possono essere modificati tranne che da parte di personale autorizzato dal costruttore.

5.4.1 Informazioni dispositivo



Figura 30 – Informazioni dispositivo

Sotto-menu	Dati visualizzati
NUMERO SERIE	Numero di serie del dispositivo assegnato dal costruttore e da eventuale distributore OEM
TIPO DISPOSITIVO	Tipologia dispositivo (ON LINE, ECO, ecc.)
MODALITA' FUNZ	Può essere <i>SINGOLA</i> , oppure <i>PARALLELO</i> nel caso il sistema sia in parallelo con altri UPS <i>UPSaver</i> .
CONTAORE	Dati relativi al numero di ore di funzionamento della macchina
OROLOGIO	Impostazione attuale della data e ora di sistema

5.4.2 Informazioni parallelo

La pagina relativa alle informazioni sul parallelo è abilitata solamente se l'UPS è in parallelo con altri sistemi *UPSaver*.



The screenshot shows a user interface titled "INFO - PARALLELO" with a date and time of 22/06/2016 14:09. The interface contains a table with the following data:

INDICE PARALLELO	1 / 4
PRIORITÀ	MASTER
STATO SISTEMA	1 - [M] 2 - S 3 - S 4 - S 5 - . 6 - . 7 - . 8 - .
TIPO PARALLELO	POTENZA
STAT CAN SSW	MSG RX: 22217 99.7%
STAT CAN INV MSGO	SYNC RX: 2458 99.9%
STAT CAN INVERTER	MSG RX: 47117 99.9%

On the right side of the interface, there is a vertical toolbar with icons for: a battery level indicator, a warning triangle, a gear (settings), an information 'i' icon, a back arrow, and a home icon.

Figura 31 – Informazioni parallelo

5.4.2.1 Indice di parallelo

Il primo numero identifica la *posizione* di quel particolare UPS nel sistema di parallelo; il secondo numero rappresenta il numero totale di UPS *UPSaver*.

5.4.2.2 Priorità Master / Slave

La stringa sulla seconda riga può avere due valori, "MASTER" oppure "SLAVE". Nel sistema può essere presente un solo UPS *MASTER*, in caso contrario c'è un conflitto sul bus di comunicazione dati.

5.4.2.3 Stato sistema (controllo bus di comunicazione)

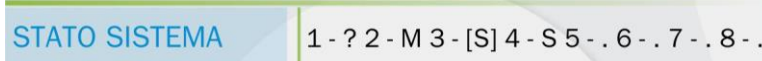
Questo campo dà un' indicazione di massima della comunicazione fra gli UPS che compongono il sistema.

- I numeri rappresentano i singoli UPS *UPSaver*.
- Le lettere M e S stanno rispettivamente per MASTER e SLAVE.
- Le parentesi [] intorno ad una lettera indicano che stiamo lavorando su quello specifico UPS.
- Un eventuale punto interrogativo accanto ad un numero indica che quell'UPS non sta comunicando sul bus dati.

Supponiamo di avere la seguente situazione:

- sistema composto da 4 UPS;
- al momento l'UPS MASTER è l'UPS2;
- stiamo verificando la comunicazione dati sull'UPS3;
- l'UPS1 non comunica.

La pagina si presenterà come mostrato di seguito.



STATO SISTEMA | 1 - ? 2 - M 3 - [S] 4 - S 5 - . 6 - . 7 - . 8 - .

Figura 32 – Stato comunicazione bus di parallelo

5.4.2.4 Tipo di parallelo

La stringa può assumere due valori, "POTENZA" oppure "RIDONDANTE+X".

- POTENZA significa che il sistema di parallelo è impostato in maniera tale da necessitare della presenza di tutti gli UPS per alimentare il carico.
- RIDONDANTE+X significa che il sistema è ridondante e l'indice di ridondanza è indicato dal numero "X". Per esempio, in un sistema composto da 3 UPS, "RIDONDANTE+2" significa che uno solo degli UPS è sufficiente per alimentare il carico.

5.4.2.5 Statistiche messaggi

La sezione statistiche relative ai messaggi scambiati sui bus di comunicazione si compone di tre diverse parti.

STAT CAN SSW → Numero di messaggi ricevuti e percentuale di accuratezza della ricezione, relativamente allo stato degli interruttori statici. I messaggi vengono scambiati fra tutti gli UPS, quindi il numero incrementa su tutti.

STAT CAN INV MSG0 → Numero di messaggi ricevuti e percentuale di accuratezza della ricezione, relativamente ai segnali di sincronismo. I messaggi vengono inviati dall'UPS MASTER, quindi il numero incrementa solo sugli UPS SLAVE.

STAT CAN INVERTER → Numero di messaggi ricevuti e percentuale di accuratezza della ricezione, relativamente agli stati del sistema. I messaggi vengono scambiati fra tutti gli UPS, quindi il numero incrementa su tutti.

5.4.3 Versioni firmware



INFO - VERSIONE FIRMWARE (1/2)		22/06/2016 14:09
DSP1 - RADD	0.1.27.0	
DSP2 - INVERTER	0.1.19.0	
uC - SSW	0.1.90.1	
DISPLAY TOUCH	0.1.0.6	

Figura 33 – Versioni firmware

La seconda pagina delle informazioni relative alle versioni firmware installate contiene il contratto di licenza del software operativo del *touch screen*.

5.4.4 Informazioni relative all'assistenza

Il menu *SERVICE* fornisce informazioni importanti relativamente all'assistenza tecnica sull'UPS. Le informazioni sono visualizzate tramite una stringa di testo che riporta i dettagli principali di contatto.

Fare comunque riferimento anche agli indirizzi e ai numeri di contatto riportati nel presente manuale.

5.4.5 Informazioni sulla comunicazione RS485

Il menu *MODBUS RS485* fornisce informazioni sull'impostazione della porta di comunicazione, relativamente all'indirizzo assegnato, alla modalità di comunicazione e alla velocità di trasmissione dati.

6 GUASTI E ALLARMI

Come indicato nei capitoli precedenti il sistema è provvisto di una diagnostica di base che permette la visualizzazione immediata delle condizioni di funzionamento.

L'icona *Allarmi* diventa rossa e viene attivato il segnalatore acustico (se abilitato). Nella pagina *Stato UPS* vengono visualizzati il codice alfanumerico dell'allarme e una breve descrizione dello stesso.

Normalmente un allarme su un modulo di potenza genera anche un allarme nell'unità di controllo dell'UPS; alcune condizioni invece vengono elaborate in logica "n/N", sulla base della ridondanza di potenza impostata,



Pericolo di lesioni a seguito shock elettrico

Prima di effettuare qualsiasi intervento sull'UPS aver cura di rispettare tutte le indicazioni relative alla sicurezza:

- tutti i lavori sull'apparato devono essere svolti da personale qualificato;
 - accedere ai componenti interni solo dopo aver disconnesso il dispositivo dalle sorgenti di alimentazione;
 - utilizzare sempre i dispositivi di protezione specifici per ciascun tipo di attività;
 - seguire scrupolosamente le istruzioni riportate nei manuali;
 - in caso di dubbi o impossibilità a risolvere il problema si prega di contattare immediatamente il costruttore.
-

6.1 DEFINIZIONE DEGLI STATI DI FUNZIONAMENTO

Stato	S1	BOOSTER OK
Descrizione	La sezione raddrizzatore funziona regolarmente.	
Condizione operativa	Il raddrizzatore alimenta l'inverter e tiene in carica la batteria.	

Stato	S2	BATTERIA OK
Descrizione	La batteria è connessa all'UPS.	
Condizione operativa	La batteria viene tenuta in carica dal raddrizzatore ed è pronta ad alimentare l'inverter.	

Stato	S3	INVERTER OK
Descrizione	La tensione e la frequenza dell'inverter sono nel range ammesso.	
Condizione operativa	L'inverter è pronto per erogare alimentare il carico.	

Stato	S4	INV --> CARICO
Descrizione	L'inverter alimenta il carico.	
Condizione operativa	Il carico è alimentato attraverso l'interruttore statico di inverter.	

Stato	S5	INV BYPASS SINCRO
Descrizione	L'inverter è sincronizzato con il bypass.	
Condizione operativa	Il sincronismo fra inverter e bypass è agganciato e l'interruttore statico può effettuare commutazioni fra le due sorgenti.	

Stato	S6	BYPASS OK
Descrizione	La tensione e la frequenza del bypass sono nel range ammesso.	
Condizione operativa	La rete di bypass è disponibile alla commutazione in caso di guasto inverter.	

Stato	S7	BYPASS --> CARICO
Descrizione	Carico alimentato dalla rete di bypass.	
Condizione operativa	Il carico è alimentato da bypass attraverso l'interruttore statico, si attende il riavvio dell'inverter.	

Stato	S8	INV MASTER SINCR0
Descrizione	L'inverter è sincronizzato con l'UPS MASTER.	
Condizione operativa	Questo stato è presente solo sugli UPS SLAVE e indica che l'inverter è sincronizzato con il segnale inviato dall'UPS MASTER.	

Stato	S10	RADDRIZZATORE STANDBY (NON DISPONIBILE)
Descrizione	Il raddrizzatore è in modalità standby.	
Condizione operativa	Il raddrizzatore è spento e pronto ad essere riavviato per caricare la batteria (algoritmo <i>Green Conversion</i>).	

Stato	S11	INVERTER STANDBY (NON DISPONIBILE)
Descrizione	L'inverter è in modalità standby.	
Condizione operativa	L'inverter è spento e pronto ad essere avviato in caso di anomalia della rete di bypass.	

Stato	S12	BATTERIA STANDBY (NON DISPONIBILE)
Descrizione	La batteria è in modalità standby.	
Condizione operativa	L'interruttore statico di batteria è aperto e la batteria è disconnessa dal bus DC.	

Stato	S14	BATT IN CARICA I
Descrizione	La batteria è in carica.	
Condizione operativa	L'interruttore statico di batteria è chiuso e la batteria è nella prima fase di carica I/U (DIN 41773), con corrente costante e tensione crescente.	

Stato	S15	BATT IN CARICA U
Descrizione	La carica ciclica della batteria è attivata.	
Condizione operativa	L'interruttore statico di batteria è chiuso e la batteria è nella seconda e finale fase di carica I/U (DIN 41773), con tensione costante e corrente decrescente.	

6.2 CONTROLLO DEI GUASTI

Allarme	A1 MANCANZA RETE
Descrizione	La tensione o la frequenza della rete di ingresso sono fuori dal range di tolleranza.
Possibili cause	<ul style="list-style-type: none"> ➤ Instabilità o mancanza della rete. ➤ Errato senso ciclico delle fasi.
Soluzioni	<ol style="list-style-type: none"> 1. Controllare i collegamenti di connessione alla rete. 2. Verificare la stabilità della tensione di rete. 3. Se l'allarme persiste contattare il servizio di Assistenza Tecnica.

Allarme	A2 ER SENSO CICL ING
Descrizione	Il senso ciclico delle fasi della rete di ingresso al raddrizzatore è errato.
Possibili cause	<ul style="list-style-type: none"> ➤ Errato collegamento dei cavi di potenza.
Soluzioni	<ol style="list-style-type: none"> 1. Verificare il senso ciclico delle fasi. 2. Se l'allarme persiste contattare il servizio di Assistenza Tecnica.

Allarme	A3 RADD SPENTO
Descrizione	Il raddrizzatore è stato momentaneamente arrestato e l'inverter viene alimentato dalla batteria.
Possibili cause	<ul style="list-style-type: none"> ➤ Instabilità della tensione o della frequenza della rete AC. ➤ Possibile guasto del circuito di controllo del raddrizzatore.
Soluzioni	<ol style="list-style-type: none"> 1. Verificare i parametri della tensione della rete AC. 2. Riavviare il dispositivo. 3. Se l'allarme persiste contattare il servizio di Assistenza Tecnica.

Allarme	A4 ANOMALIA RADD
Descrizione	Il raddrizzatore è stato arrestato per anomalia interna.
Possibili cause	<ul style="list-style-type: none"> ➤ Possibile guasto del circuito di controllo del raddrizzatore.
Soluzioni	<ol style="list-style-type: none"> 1. Verificare quali allarmi sono presenti e seguire le procedure indicate. 2. Riavviare il dispositivo. 3. Se l'allarme persiste contattare il servizio di Assistenza Tecnica.

Allarme	A5	TENS DC ERRATA
Descrizione	La tensione DC misurata è fuori dai limiti di tolleranza.	
Possibili cause	<ul style="list-style-type: none">➤ In mancanza rete la batteria ha raggiunto la tensione di scarica.➤ Guasto del circuito di misura.	
Soluzioni	<ol style="list-style-type: none">1. Verificare il valore effettivo della tensione DC misurata.2. In caso di mancanza rete attendere che la tensione AC venga ripristinata.3. Verificare quali allarmi sono presenti e seguire le procedure indicate.4. Riavviare il dispositivo.5. Se l'allarme persiste contattare il servizio di Assistenza Tecnica.	

Allarme	A6	BATTERIA IN TEST
Descrizione	La tensione del raddrizzatore viene ridotta per avviare una breve scarica controllata della batteria.	
Possibili cause	<ul style="list-style-type: none">➤ E' stato avviato un test di batteria, automaticamente (se impostato) oppure manualmente dall'operatore.	
Soluzioni	<ol style="list-style-type: none">1. Attendere la fine del test e verificare eventuali anomalie della batteria.	

Allarme	A7	BCB APERTO
Descrizione	Il sezionatore di batteria è aperto.	
Possibili cause	<ul style="list-style-type: none">➤ Sezionatore di batteria aperto.	
Soluzioni	<ol style="list-style-type: none">1. Verificare lo stato del sezionatore di batteria.2. Verificare la funzionalità del contatto ausiliario del sezionatore.3. Verificare il collegamento tra il contatto ausiliario del sezionatore e i morsetti ausiliari dell'UPS (se previsti).4. Se l'allarme persiste contattare il servizio di Assistenza Tecnica.	

Allarme	A8	BATTERIA IN SCAR
Descrizione	La batteria è in scarica.	
Possibili cause	<ul style="list-style-type: none">➤ Batteria in scarica a seguito mancanza rete.➤ Guasto del raddrizzatore.	
Soluzioni	<ol style="list-style-type: none">1. Verificare quali allarmi sono presenti e seguire le procedure indicate.2. Se l'allarme persiste contattare il servizio di Assistenza Tecnica.	

Allarme	A9	FINE AUT BATTERIA
Descrizione	La batteria ha raggiunto il livello di scarica di pre-allarme.	
Possibili cause	<ul style="list-style-type: none">➤ Batteria in scarica a seguito mancanza rete.➤ Guasto del raddrizzatore.	
Soluzioni	<ol style="list-style-type: none">1. Verificare quali allarmi sono presenti e seguire le procedure indicate.2. Se l'allarme persiste contattare il servizio di Assistenza Tecnica.	

Allarme	A10	ANOMALIA BATT
Descrizione	Anomalia a seguito di test di batteria.	
Possibili cause	<ul style="list-style-type: none">➤ Anomalia batteria.	
Soluzioni	<ol style="list-style-type: none">1. Verificare la batteria.2. Resetare il sistema.3. Se l'allarme persiste contattare il servizio di Assistenza Tecnica.	

Allarme	A11	CORTO CIRCUITO
Descrizione	Il sensore di corrente ha rilevato un corto circuito in uscita.	
Possibili cause	<ul style="list-style-type: none">➤ Problema sui carichi.➤ Guasto del circuito di misura.	
Soluzioni	<ol style="list-style-type: none">1. Verificare i carichi connessi all'uscita dell'UPS.2. Se l'allarme persiste contattare il servizio di Assistenza Tecnica.	

Allarme	A12	STOP TIMEOUT CC
Descrizione	Arresto inverter per corto circuito prolungato in assenza rete oppure per sovracorrente in ingresso al ponte inverter.	
Possibili cause	<ul style="list-style-type: none">➤ Corto circuito sui carichi in assenza rete.➤ Guasto del ponte inverter.➤ Picco temporaneo di corrente.	
Soluzioni	<ol style="list-style-type: none">1. Resetare il sistema.2. Se l'allarme persiste contattare il servizio di Assistenza Tecnica.	

Allarme	A13 INV FUORI TOL
Descrizione	La tensione o la frequenza dell'inverter sono fuori dal range di tolleranza.
Possibili cause	<ul style="list-style-type: none">➤ Spegnimento inverter per allarme.➤ Guasto inverter.
Soluzioni	<ol style="list-style-type: none">1. Verificare quali allarmi sono presenti e seguire le procedure indicate.2. Se l'allarme persiste contattare il servizio di Assistenza Tecnica.

Allarme	A14 ER SENSO CIC BYP
Descrizione	Il senso ciclico delle fasi della rete di bypass è errato.
Possibili cause	<ul style="list-style-type: none">➤ Errato collegamento dei cavi di potenza.
Soluzioni	<ol style="list-style-type: none">1. Verificare il senso ciclico delle fasi.2. Se l'allarme persiste contattare il servizio di Assistenza Tecnica.

Allarme	A15 BYPASS NON DISP
Descrizione	La tensione o la frequenza della rete di bypass sono fuori dal range di tolleranza.
Possibili cause	<ul style="list-style-type: none">➤ Instabilità o mancanza della rete di bypass.➤ Errato senso ciclico delle fasi.
Soluzioni	<ol style="list-style-type: none">1. Controllare i collegamenti di connessione alla rete.2. Verificare la stabilità della tensione di rete.3. Se l'allarme persiste contattare il servizio di Assistenza Tecnica.

Allarme	A16 BYP --> CARICO
Descrizione	Il carico è alimentato dalla rete di bypass.
Possibili cause	<ul style="list-style-type: none">➤ Trasferimento momentaneo per guasto inverter.
Soluzioni	<ol style="list-style-type: none">1. Verificare lo stato dell'inverter e controllare eventuali altri allarmi presenti.2. Se l'allarme persiste contattare il servizio di Assistenza Tecnica.

Allarme	A17 RITRASFI BLOC
Descrizione	Il carico è bloccato sulla rete di bypass
Possibili cause	<ul style="list-style-type: none">➤ Commutazioni molto frequenti dovute a spunti di carico.➤ Problemi sull'interruttore statico.
Soluzioni	<ol style="list-style-type: none">1. Resettare il sistema.2. Verificare gli spunti di corrente dei carichi.3. Se l'allarme persiste contattare il servizio di Assistenza Tecnica.

Allarme	A18 MBCB CHIUSO
Descrizione	Il sezionatore di bypass manuale è chiuso.
Possibili cause	<ul style="list-style-type: none">➤ Sezionatore di bypass manuale chiuso.
Soluzioni	<ol style="list-style-type: none">1. Verificare lo stato del sezionatore di bypass manuale.2. Verificare la funzionalità del contatto ausiliario del sezionatore.3. Se l'allarme persiste contattare il servizio di Assistenza Tecnica.

Allarme	A19 OCB APERTO
Descrizione	Il sezionatore di uscita è aperto.
Possibili cause	<ul style="list-style-type: none">➤ Sezionatore di uscita aperto.
Soluzioni	<ol style="list-style-type: none">1. Verificare lo stato del sezionatore di uscita.2. Verificare la funzionalità del contatto ausiliario del sezionatore.3. Se l'allarme persiste contattare il servizio di Assistenza Tecnica.

Allarme	A20 SOVRACCARICO
Descrizione	Il sensore di corrente ha rilevato un sovraccarico in uscita. Se l'allarme permane si attiverà la protezione di immagine termica (allarme A21).
Possibili cause	<ul style="list-style-type: none">➤ Sovraccarico in uscita.➤ Guasto del circuito di misura.
Soluzioni	<ol style="list-style-type: none">1. Verificare i carichi connessi all'uscita dell'UPS.2. Contattare il servizio di Assistenza Tecnica.

Allarme	A21 IMMAGINE TERMICA
Descrizione	La protezione di immagine termica si è attivata in seguito ad un sovraccarico prolungato dell'inverter. L'inverter viene arrestato per 30 minuti per poi essere riavviato.
Possibili cause	<ul style="list-style-type: none">➤ Sovraccarico in uscita.➤ Guasto del circuito di misura.
Soluzioni	<ol style="list-style-type: none">1. Verificare i carichi connessi all'uscita dell'UPS.2. Nel caso si voglia ripristinare subito l'alimentazione da inverter resettare il sistema.3. Se l'allarme persiste contattare il servizio di Assistenza Tecnica.

Allarme	A22 BYPASS SWITCH
Descrizione	E' stato manovrato il selettore "Normale/Bypass"
Possibili cause	<ul style="list-style-type: none">➤ Manovra per manutenzione.
Soluzioni	<ol style="list-style-type: none">1. Verificare la posizione del selettore.2. Se l'allarme persiste contattare il servizio di Assistenza Tecnica.

Allarme	A23 EPO CHIUSO
Descrizione	Il sistema è bloccato in seguito all'azionamento del pulsante di arresto di emergenza.
Possibili cause	<ul style="list-style-type: none">➤ Azionamento del pulsante di arresto di emergenza (locale o remoto).
Soluzioni	<ol style="list-style-type: none">1. Sbloccare l'arresto di emergenza e resettare l'allarme.2. Se l'allarme persiste contattare il servizio di Assistenza Tecnica.

Allarme	A24 ALTA TEMPERATURA
Descrizione	Alta temperatura del dissipatore di calore del ponte inverter o intervento dei fusibili DC di protezione del ponte inverter.
Possibili cause	<ul style="list-style-type: none">➤ Guasto dei ventilatori di raffreddamento del dissipatore.➤ Temperatura dell'ambiente o dell'aria di raffreddamento troppo elevata.➤ Intervento dei fusibili DC di protezione.
Soluzioni	<ol style="list-style-type: none">1. Controllare il funzionamento dei ventilatori.2. Pulire le griglie di aerazione e gli eventuali filtri aria.3. Verificare il sistema di condizionamento (se presente).4. Verificare lo stato dei fusibili DC in ingresso al ponte inverter.5. Se l'allarme persiste contattare il servizio di Assistenza Tecnica.

Allarme	A25 INVERTER SPENTO
Descrizione	L'inverter è bloccato per anomalia di funzionamento.
Possibili cause	➤ Varie.
Soluzioni	1. Resetare il sistema. 2. Se l'allarme persiste contattare il servizio di Assistenza Tecnica.

Allarme	A26 PERDITA COMUNIC
Descrizione	Errore interno.
Possibili cause	➤ Problemi di comunicazione del microcontrollore.
Soluzioni	1. Se l'allarme persiste contattare il servizio di Assistenza Tecnica.

Allarme	A27 ERRORE EEPROM
Descrizione	Il controllore ha rilevato un errore nei parametri memorizzati in EEPROM.
Possibili cause	➤ Inserimento di parametri errati durante la programmazione.
Soluzioni	1. Contattare il servizio di Assistenza Tecnica.

Allarme	A28 GUASTO CRITICO
Descrizione	E' presente un allarme che causa l'arresto di una parte dell'UPS (raddrizzatore, inverter, interruttore statico).
Possibili cause	➤ Guasto del sistema.
Soluzioni	1. Verificare quali allarmi sono presenti e seguire le procedure indicate. 2. Se l'allarme persiste contattare il servizio di Assistenza Tecnica.

Allarme	A29 MANUTENZ PROGRAM
Descrizione	E' necessario effettuare un intervento di manutenzione.
Possibili cause	➤ E' trascorso il tempo limite dall'ultimo intervento.
Soluzioni	1. Contattare il servizio di Assistenza Tecnica.

Allarme	A30 ALLARME GENERALE
Descrizione	Allarme cumulativo.
Possibili cause	➤ E' presente almeno un allarme.
Soluzioni	1. Verificare quali allarmi sono presenti e seguire le procedure indicate.

Allarme	A31 MBCB BUS CHIUSO
Descrizione	Il sezionatore di bypass manuale è chiuso.
Possibili cause	➤ Sezionatore di bypass manuale chiuso.
Soluzioni	1. Verificare lo stato del sezionatore di bypass manuale. 2. Verificare la funzionalità del contatto ausiliario del sezionatore. 3. Se l'allarme persiste contattare il servizio di Assistenza Tecnica.

Allarme	A32 EPO BUS
Descrizione	Il sistema è bloccato in seguito all'azionamento del pulsante di arresto di emergenza.
Possibili cause	➤ Azionamento del pulsante di arresto di emergenza (locale o remoto).
Soluzioni	1. Sbloccare l'arresto di emergenza e resettare l'allarme. 2. Se l'allarme persiste contattare il servizio di Assistenza Tecnica.

Allarme	A33 CARICO ASIMMETR
Descrizione	Le tensioni misurate sui condensatori DC (positiva e negativa verso punto centrale) sono diverse.
Possibili cause	➤ Possibile guasto del circuito di misura. ➤ Possibile anomalia dei condensatori DC.
Soluzioni	1. Resettare il sistema. 2. Se l'allarme persiste contattare il servizio di Assistenza Tecnica.

Allarme	A34 RICHIESTA SERV
Descrizione	E' necessario un intervento di verifica dell'UPS.
Possibili cause	➤ Possibile anomalia dell'UPS.
Soluzioni	1. Se l'allarme persiste contattare il servizio di Assistenza Tecnica.

Allarme	A35 BATT DIESEL MODE
Descrizione	L'UPS è alimentato dal generatore diesel.
Possibili cause	➤ Il contatto ausiliario di attivazione del generatore diesel, connesso all'UPS, è chiuso e impone tale modalità operativa.
Soluzioni	<ol style="list-style-type: none"> 1. Attendere l'arresto del generatore diesel appena la tensione di rete viene ripristinata. 2. Verificare la connessione del contatto ausiliario di segnalazione avvio del generatore diesel ai morsetti XD1/XD-2. 3. Se l'allarme persiste contattare il servizio di Assistenza Tecnica.

Allarme	A36 SPEGNIM VELOCE
Descrizione	Arresto inverter per intervento del sensore di protezione per variazioni repentine della tensione DC.
Possibili cause	➤ Anomalia batteria.
Soluzioni	<ol style="list-style-type: none"> 1. Verificare la batteria. 2. Resetare il sistema. 3. Se l'allarme persiste contattare il servizio di Assistenza Tecnica.

Allarme	A38 INV --> CARICO
Descrizione	Il carico è alimentato dall'inverter. Allarme attivo per UPS in modalità "ECO", dove l'alimentazione privilegiata è dalla rete di bypass.
Possibili cause	➤ Trasferimento momentaneo per mancanza rete di bypass.
Soluzioni	<ol style="list-style-type: none"> 1. Verificare lo stato della rete di bypass e controllare eventuali altri allarmi presenti. 2. Se l'allarme persiste contattare il servizio di Assistenza Tecnica.

Allarme	A39 ERRORE LOOP INV
Descrizione	Il controllo non è in grado di regolare accuratamente la tensione di inverter.
Possibili cause	➤ Guasto del sistema di regolazione.
Soluzioni	<ol style="list-style-type: none"> 1. Resetare il sistema. 2. Se l'allarme persiste contattare il servizio di Assistenza Tecnica.

Allarme	A40 ANOMALIA SSI
Descrizione	Il sistema ha rilevato un'anomalia dell'interruttore statico.
Possibili cause	<ul style="list-style-type: none">➤ Possibili problemi sui carichi.➤ Anomalia dell'interruttore statico.
Soluzioni	<ol style="list-style-type: none">1. Verificare l'assorbimento in dei carichi e l'eventuale presenza di componenti continue sulla corrente AC.2. Se l'allarme persiste contattare il servizio di Assistenza Tecnica.

Allarme	A41 ERR LOOP TEN RAD
Descrizione	Il controllo non è in grado di regolare accuratamente la tensione di uscita raddrizzatore.
Possibili cause	<ul style="list-style-type: none">➤ Guasto del sistema di regolazione.
Soluzioni	<ol style="list-style-type: none">1. Resetare il sistema.2. Se l'allarme persiste contattare il servizio di Assistenza Tecnica.

Allarme	A44 ERR LOOP COR RAD
Descrizione	L'inverter è bloccato in seguito all'intervento del sensore di desaturazione dei driver IGBT.
Possibili cause	<ul style="list-style-type: none">➤ Anomalia del ponte inverter.
Soluzioni	<ol style="list-style-type: none">1. Resetare il sistema.2. Se l'allarme persiste contattare il servizio di Assistenza Tecnica.

Allarme	A45 ALTA TEMPERATURA SSW
Descrizione	Alta temperatura del dissipatore di calore del ponte interruttore statico.
Possibili cause	<ul style="list-style-type: none">➤ Guasto dei ventilatori di raffreddamento del dissipatore.➤ Temperatura dell'ambiente o dell'aria di raffreddamento troppo elevata.
Soluzioni	<ol style="list-style-type: none">1. Controllare il funzionamento dei ventilatori.2. Pulire le griglie di aerazione e gli eventuali filtri aria.3. Verificare il sistema di condizionamento (se presente).4. Se l'allarme persiste contattare il servizio di Assistenza Tecnica.

Allarme	A46 PERDITA RIDOND
Descrizione	Allarme attivo solo su sistemi PARALLELO. La continuità non è garantita in caso di anomalia di uno degli UPS.
Possibili cause	<ul style="list-style-type: none">➤ Il carico totale è superiore al valore massimo atteso.➤ Possibile guasto del circuito di misura.
Soluzioni	<ol style="list-style-type: none">1. Verificare il carico alimentato dal sistema.2. Se l'allarme persiste contattare il servizio di Assistenza Tecnica.

Allarme	A47 ERR INVIO PARAM
Descrizione	Errore interno.
Possibili cause	<ul style="list-style-type: none">➤ Problemi di comunicazione del microcontrollore.
Soluzioni	<ol style="list-style-type: none">1. Contattare il servizio di Assistenza Tecnica.

Allarme	A48 ERR RIC PARAM EE
Descrizione	Errore interno.
Possibili cause	<ul style="list-style-type: none">➤ Problemi di comunicazione del microcontrollore.
Soluzioni	<ol style="list-style-type: none">1. Contattare il servizio di Assistenza Tecnica.

Allarme	A49 DISCOR TEST MODE
Descrizione	Errore interno.
Possibili cause	<ul style="list-style-type: none">➤ Problemi di comunicazione del microcontrollore.
Soluzioni	<ol style="list-style-type: none">1. Contattare il servizio di Assistenza Tecnica.

Allarme	A51 TEMPERATURA BATT
Descrizione	La temperatura della batteria è fuori dai limiti di tolleranza. Allarme attivo solo se è installata e abilitata la sonda di temperatura sulla batteria.
Possibili cause	<ul style="list-style-type: none">➤ Temperatura anomala all'interno dell'armadio batterie.➤ Possibile guasto del circuito di misura.
Soluzioni	<ol style="list-style-type: none">1. Verificare la temperatura sulle batterie ed eventualmente rimuovere la causa di allarme.2. Se l'allarme persiste contattare il servizio di Assistenza Tecnica.

Allarme	A53 ER COMP FIRMWARE
Descrizione	Il controllore ha rilevato un'incompatibilità dei software di controllo.
Possibili cause	<ul style="list-style-type: none">➤ Aggiornamento software non eseguito correttamente.
Soluzioni	<ol style="list-style-type: none">1. Contattare il servizio di Assistenza Tecnica.

Allarme	A54 ERRORE CAN
Descrizione	Errore interno.
Possibili cause	<ul style="list-style-type: none">➤ Problemi di comunicazione del microcontrollore.
Soluzioni	<ol style="list-style-type: none">1. Contattare il servizio di Assistenza Tecnica.

Allarme	A55 CAVO PAR DISC
Descrizione	Mancata comunicazione del cavo parallelo.
Possibili cause	<ul style="list-style-type: none">➤ Cavo di parallelo disconnesso o danneggiato.
Soluzioni	<ol style="list-style-type: none">1. Controllare la connessione del cavo2. Contattare il servizio di Assistenza Tecnica.

Allarme	A56 TERNA SBILANCIATA
Descrizione	Terna d'ingresso raddrizzatore sbilanciata
Possibili cause	<ul style="list-style-type: none">➤ La terna delle tensioni d'ingresso raddrizzatore sono sbilanciate.➤ Problema sulla scheda di misura
Soluzioni	<ol style="list-style-type: none">1. Contattare il servizio di Assistenza Tecnica.

Allarme	A59 RELE BACKFEED ON
Descrizione	E' stata attivata la protezione di backfeed. Allarme presente solamente nello storico eventi.
Possibili cause	➤ Possibile guasto dell'interruttore statico di bypass
Soluzioni	1. Controllare gli SCR di bypass. 2. Se l'allarme persiste contattare il servizio di Assistenza Tecnica.

Allarme	A61 PERDITA ALIM RIDONDATA
Descrizione	Guasto dell'alimentazione ausiliaria ridondata.
Possibili cause	➤ Guasto interno.
Soluzioni	1. Contattare il servizio di Assistenza Tecnica.

Allarme	A62 MAINS OVERVOLTAGE
Descrizione	Rilevazione di un picco di tensione sull'ingresso AC
Possibili cause	➤ Picco di tensione sulla rete AC. ➤ Possibile guasto interno.
Soluzioni	2. Controllare la rete AC. 3. Se l'allarme persiste contattare il servizio di Assistenza Tecnica.

Allarme	A63 SEQ AVVIO BLOCC
Descrizione	Durante l'avvio dell'UPS un'anomalia ha impedito il corretto svolgimento della sequenza.
Possibili cause	➤ Organi di manovra in posizione errata o manovrati in maniera non corretta. ➤ Possibile guasto interno.
Soluzioni	1. Verificare che la posizione degli organi di manovra (sezionatori, selettori) sia come specificato nelle procedure (vedi sezione "Installazione ed avviamento"). 2. Se l'allarme persiste contattare il servizio di Assistenza Tecnica.

Allarme	A64 MAINS UNDERVOLTAGE
Descrizione	Rilevazione di un abbassamento veloce sull'ingresso AC
Possibili cause	➤ Abbassamento improvviso della rete AC (brown-out). ➤ Possibile guasto interno.
Soluzioni	1. Controllare la rete AC. 2. Se l'allarme persiste contattare il servizio di Assistenza Tecnica.